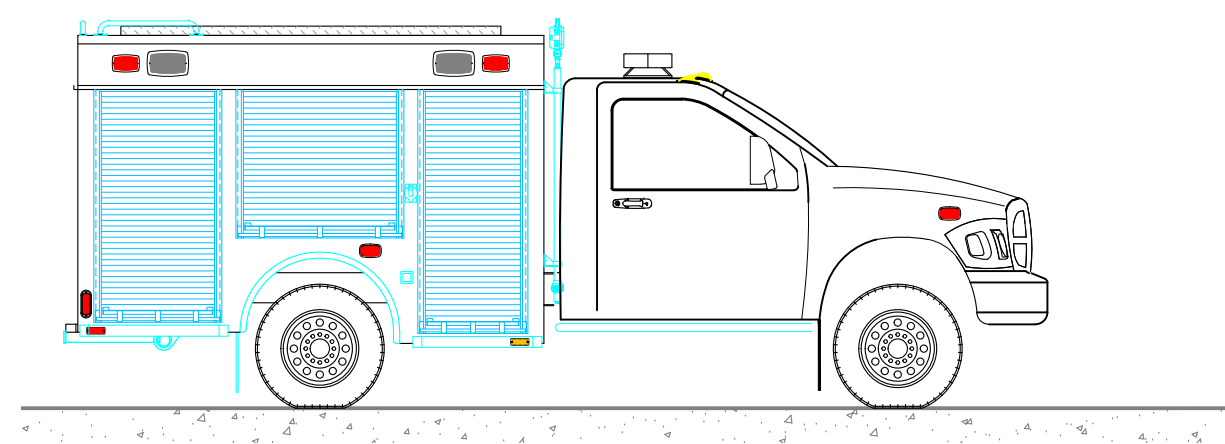
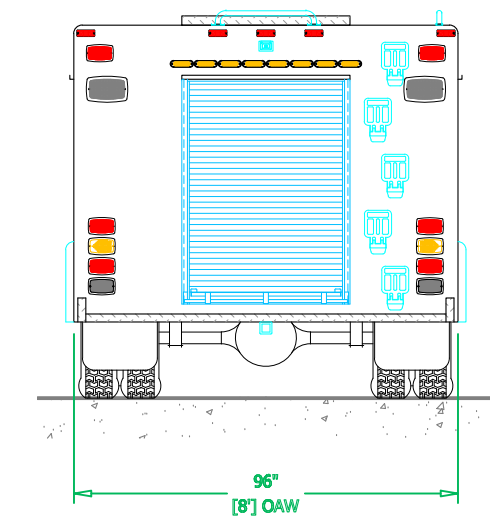
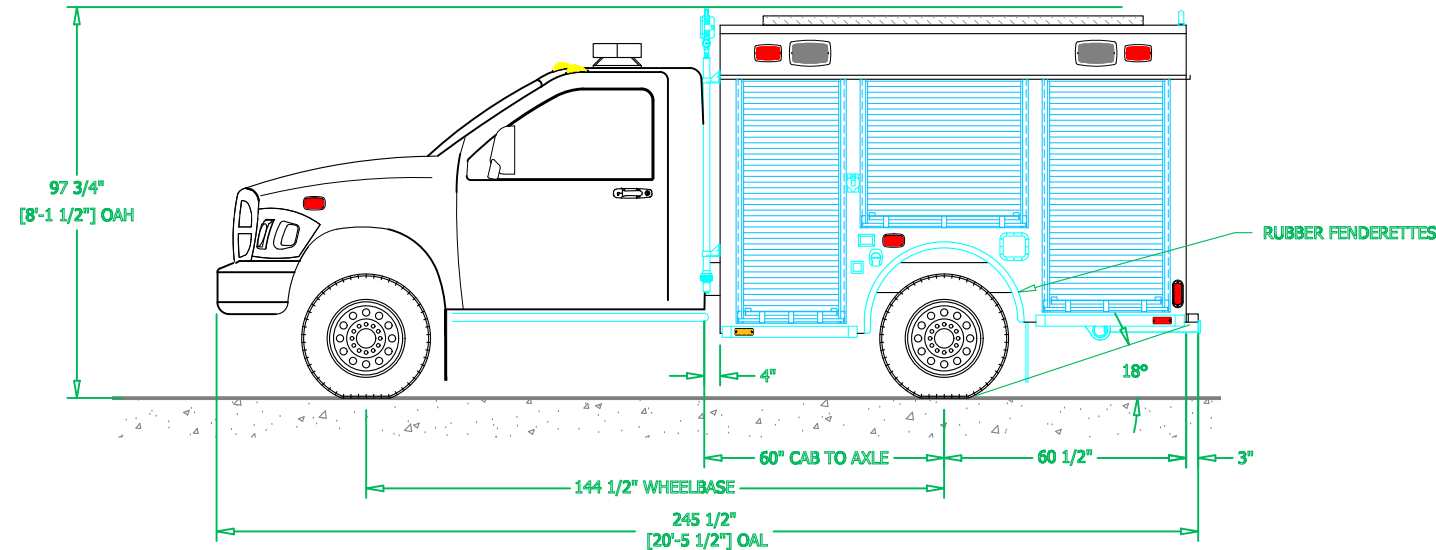
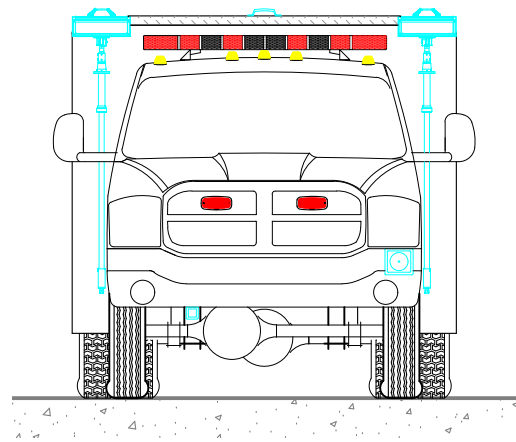
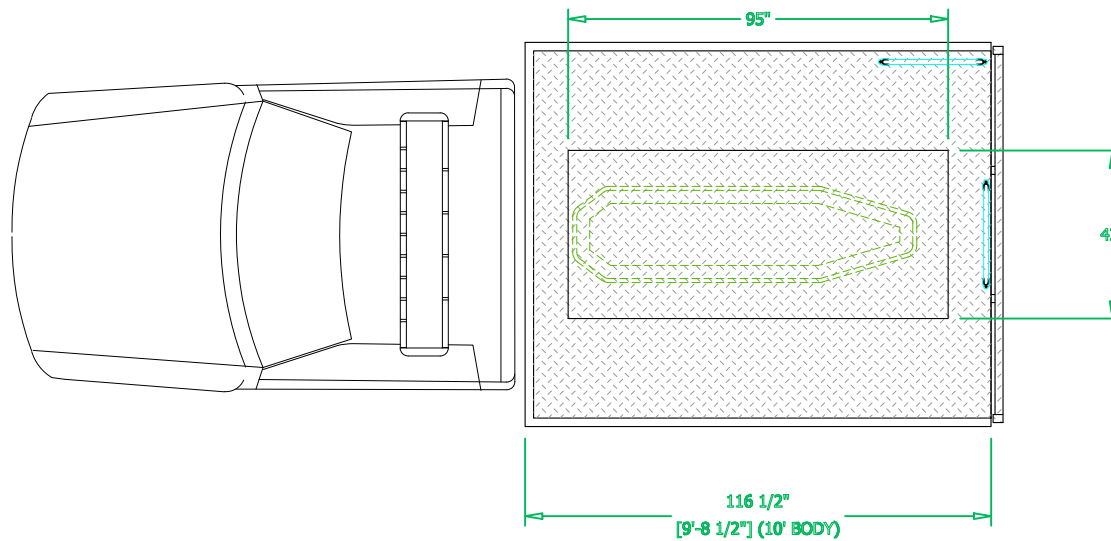


PRELIMINARY DRAWING - FOR LAYOUT PURPOSES ONLY

REVISIONS			
REV	DESCRIPTION	DATE	BY

NOTE 1: Do not scale drawing. This drawing is for general truck configuration only. All items and dimensions shown are approximate and may vary with final production. The drawing may not provide illustration for all items in the specification. In all situations where the drawing may contradict the specifications, the specifications shall prevail. This drawing and all data herein are provided as confidential materials and shall not be reproduced without written consent of the manufacturer.

NOTE 2: Chassis frame height will change due to axle characteristics, loading and tire dimensions which will effect the overall height dimension shown. Any overall height restrictions should take this into consideration and allow approximately 2-3 inches of tolerance.



**SVI FIRE & RESCUE TRUCKS**  
3842 REDMAN DRIVE, FORT COLLINS, CO 80524 PHONE 970-297-7100, FAX 970-297-7099

**MADRID (SANTA FE COUNTY)**  
**FIRE DEPARTMENT**

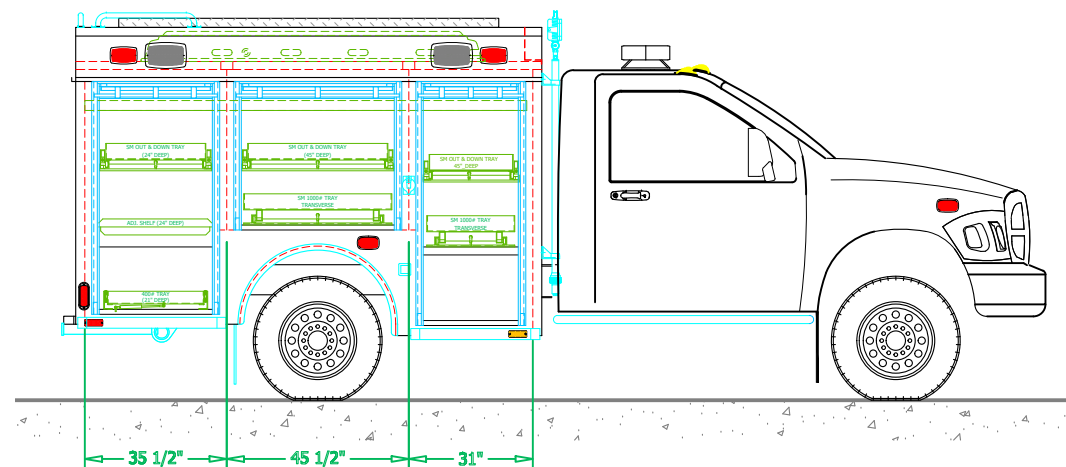
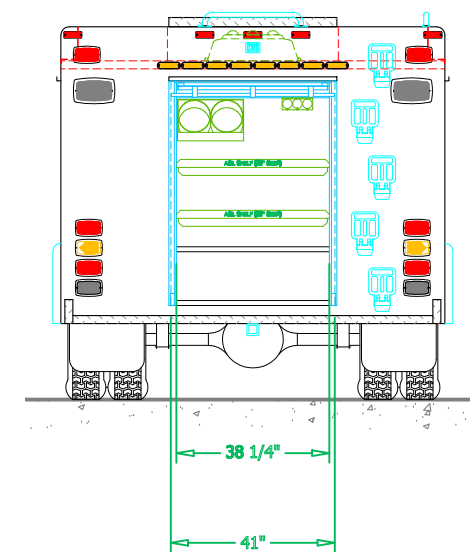
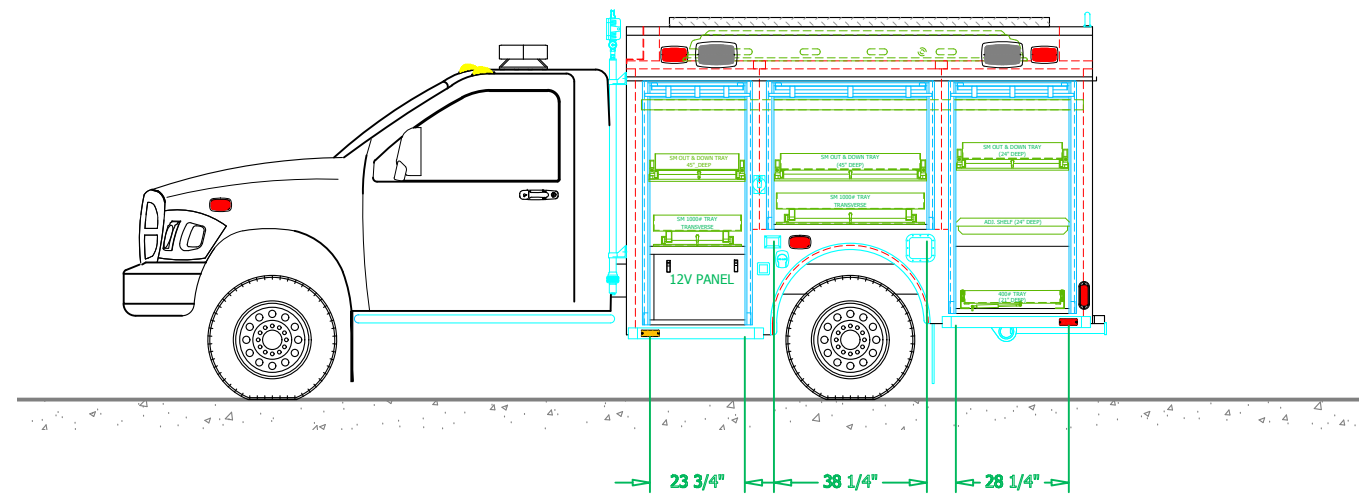
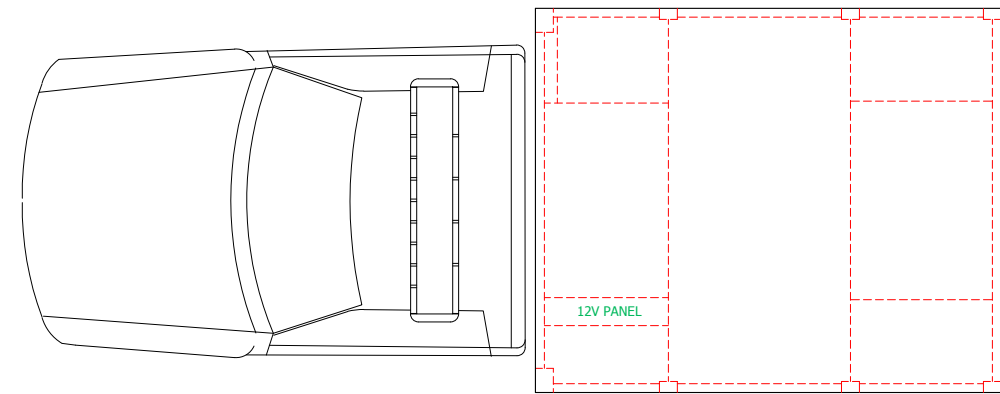
BODY SIZE: 10' BODY	UNIT TYPE: LIGHT RESCUE
BODY MATERIAL: 3/16" ALUMINUM	TRUCK NO: SVI #xxx
CHASSIS TYPE: DODGE	WHEELBASE: SEE DWG
5500	CAB TO AXLE: SEE DWG
-	OVERALL LENGTH (OAL): SEE DWG
-	OVERALL WIDTH (OAW): SEE DWG
TWO DOOR	OVERALL HEIGHT (OAH): SEE DWG
DRAWN BY: JWG	DATE: AUGUST 26, 2016
DRAWING NO: Madrid_NM_Jr_Prac01	SCALE: 1/4" = 1'-0"

SHEET 1 OF 2

PRELIMINARY DRAWING - FOR LAYOUT PURPOSES ONLY

REVISIONS			
REV	DESCRIPTION	DATE	BY

NOTE 1: Do not scale drawing. This drawing is for general truck configuration only. All items and dimensions shown are approximate and may vary with final production. The drawing may not provide illustration for all items in the specification. In all situations where the drawing may contradict the specifications, the specifications shall prevail. This drawing and all data herein are provided as confidential materials and shall not be reproduced without written consent of the manufacturer.





**SVI**  
FORT COLLINS COLORADO

**SVI FIRE & RESCUE TRUCKS**  
3842 REDMAN DRIVE, FORT COLLINS, CO 80524 PHONE 970-297-7100, FAX 970-297-7099

**MADRID (SANTA FE COUNTY)**  
**FIRE DEPARTMENT**

DRAWN BY: HDR	DATE: June 23, 2017	SCALE: 1/4" = 1'-0"
DRAWING NO: Madrid_NM_Jr_Prec011		SHEET 2 OF 2