



Harwich Type III Wildland Engine #1051

Chassis

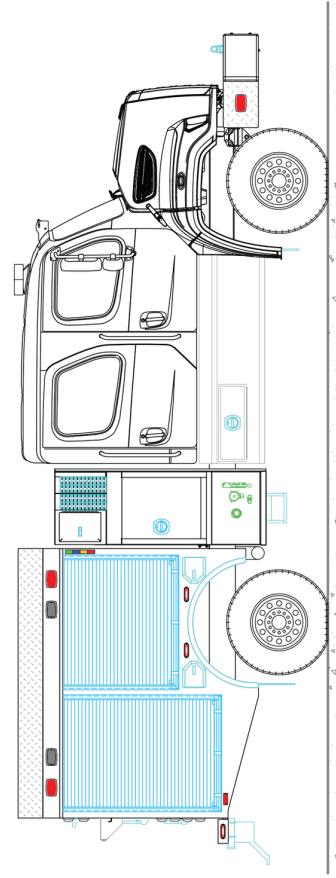
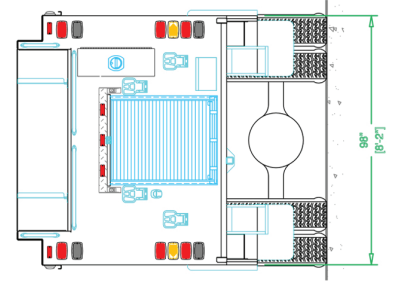
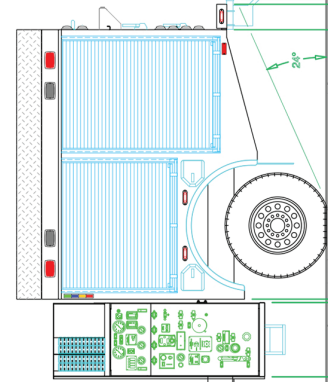
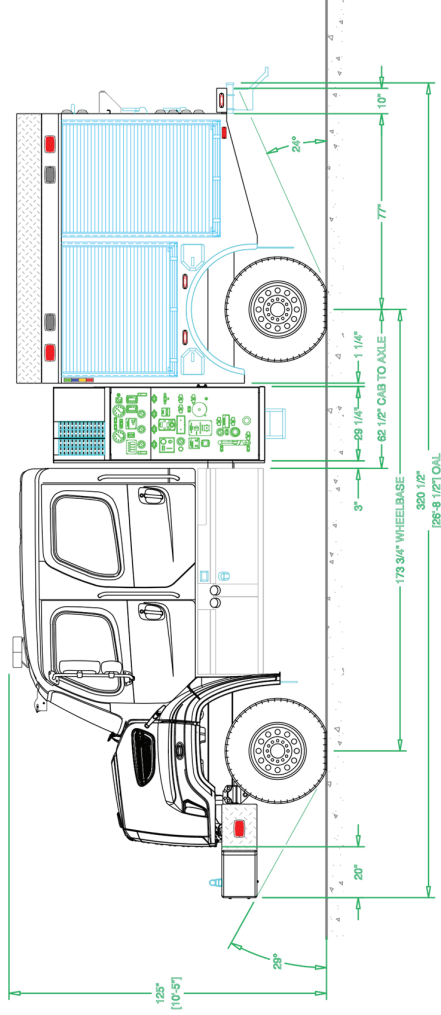
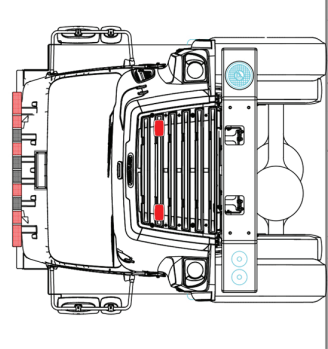
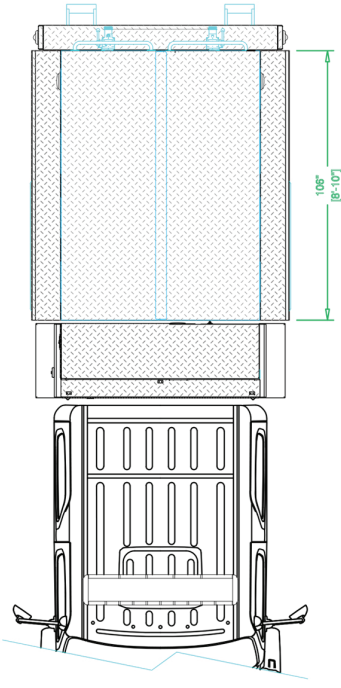
Cab: Freightliner 108SD
Engine: Cummins L9, 350HP
Transmission: Allison EVS 3000
Wheelbase: 174"

Body

Material: Aluminum
Body Length: 11' 5"
Overall Height: 10' -5"
Overall Length: 26' 8"

Features

Chelsea "Hot-Shift" Transmission PTO
Hale MBP Single Stage 1,000 GPM Pump
OnScene Solutions 84 Series Out & Down Tray
FoamPro 1601 Foam System
UPF 500-Gal. Poly Water Tank
20-Gal. Class A Poly Foam Cell
Whelen LED Warning & Scene Light Package
OnScene Solutions LED Compartment Lighting



See more at svitrucks.com