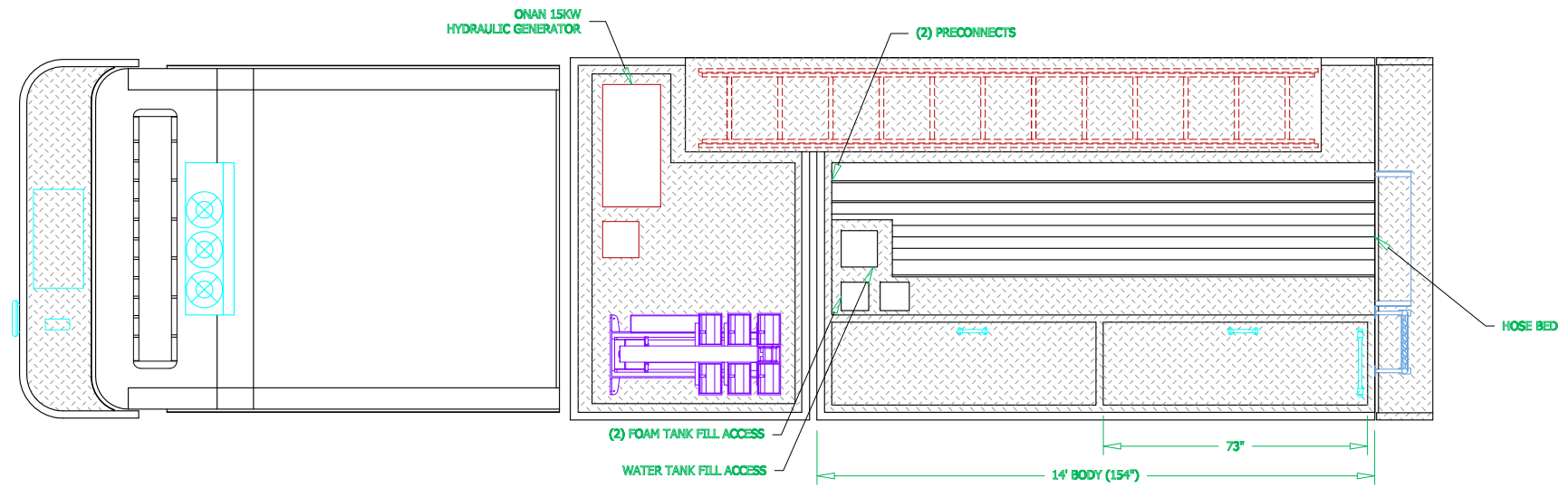
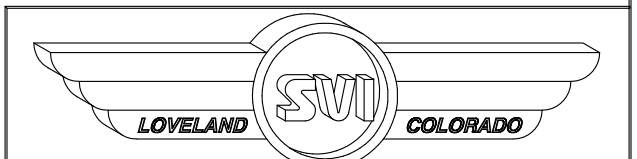
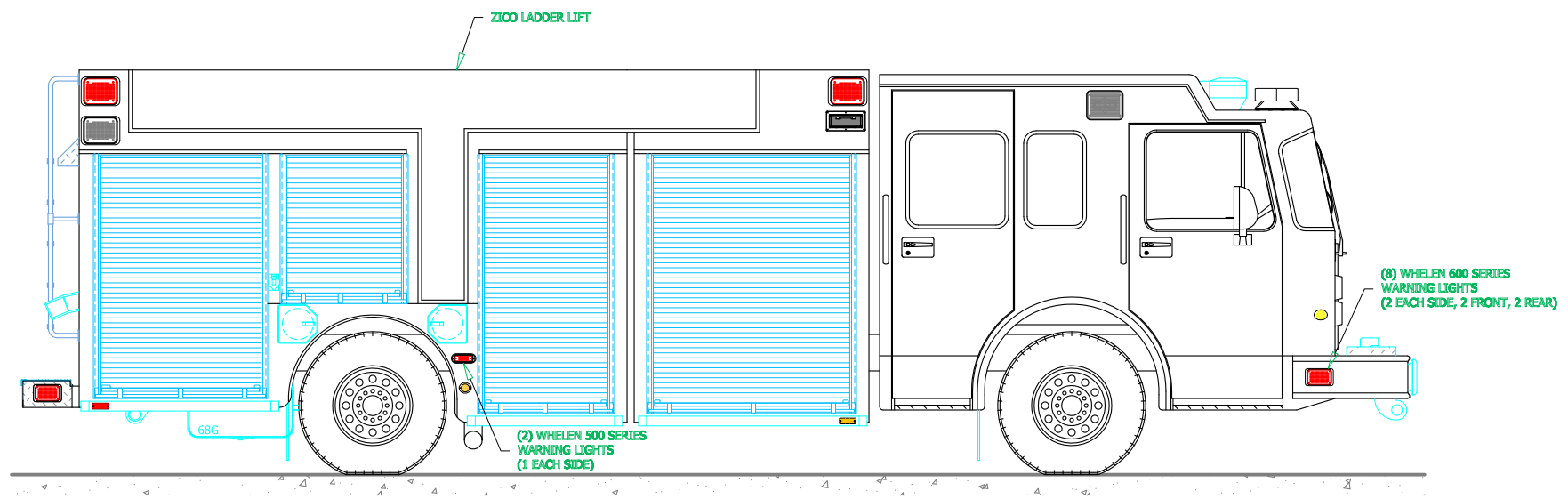
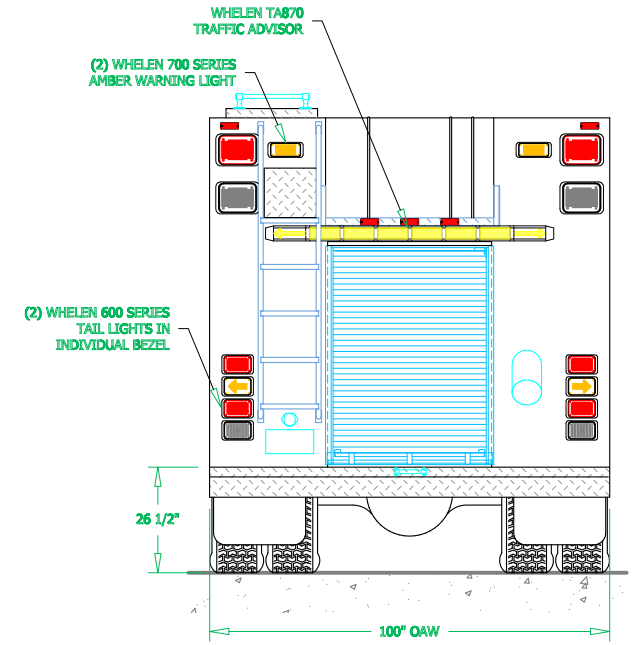
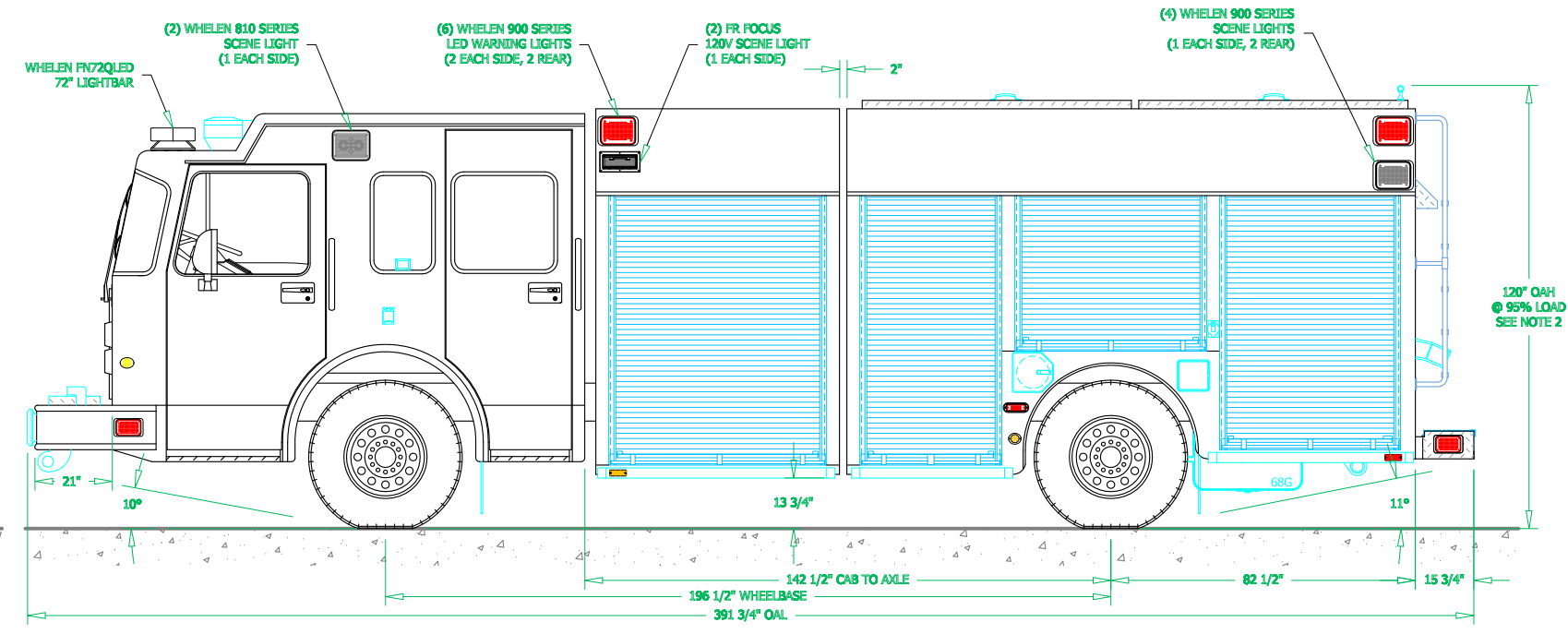
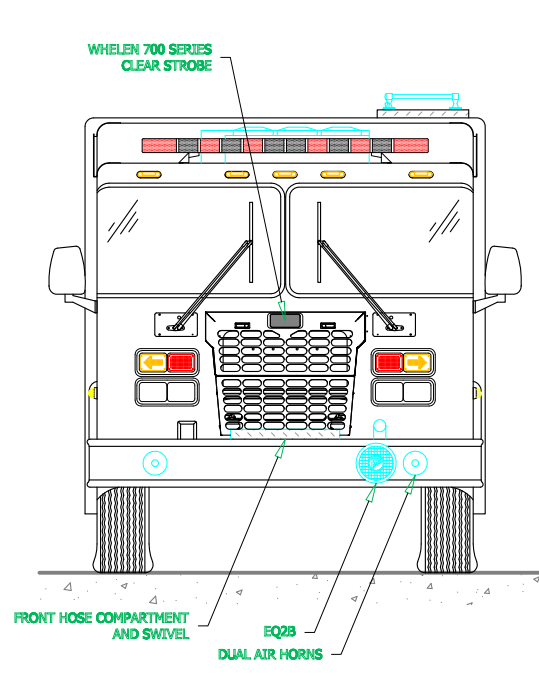


REVISIONS			
REV	DESCRIPTION	DATE	BY



NOTE 1: Do not scale drawing. This drawing is for general truck configuration only. All items and dimensions shown are approximate and may vary with final production. The drawing may not provide illustration for all items in the specification. In all situations where the drawing may contradict the specifications, the specifications shall prevail. This drawing and all data herein are provided as confidential materials and shall not be reproduced without written consent of the manufacturer.

NOTE 2: Chassis frame height will change due to axle characteristics, loading and tire dimensions which will effect the overall height dimension shown. Any overall height restrictions should take this into consideration and allow approximately 2-3 inches of tolerance.



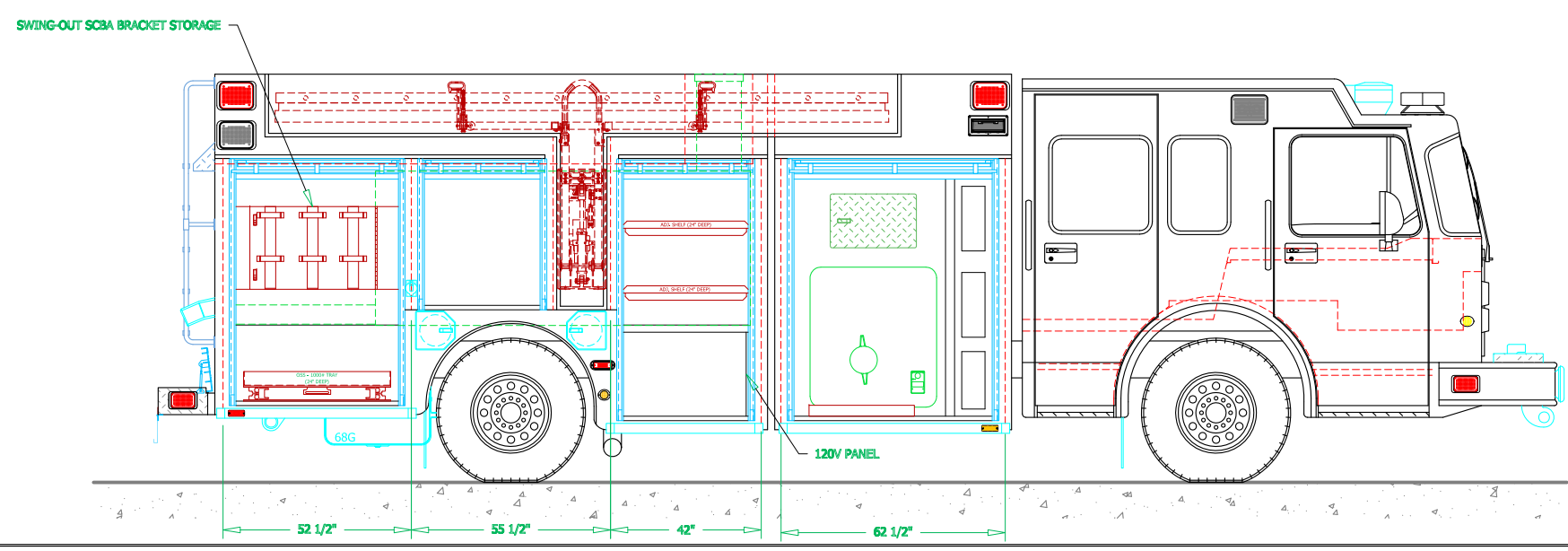
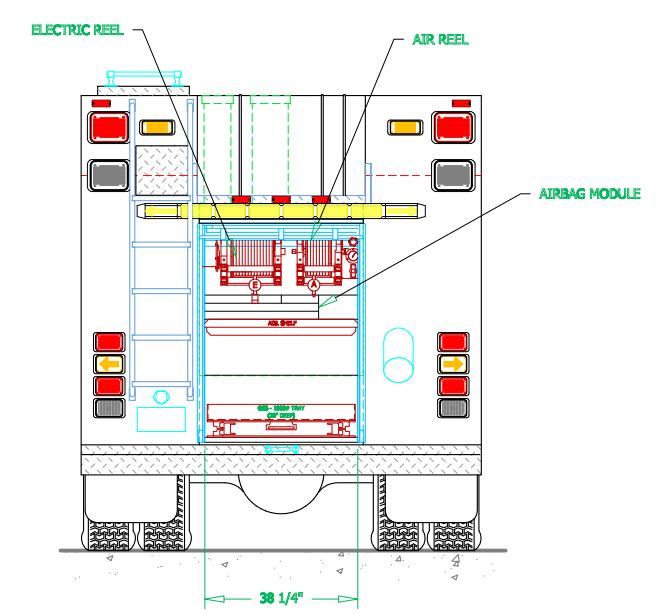
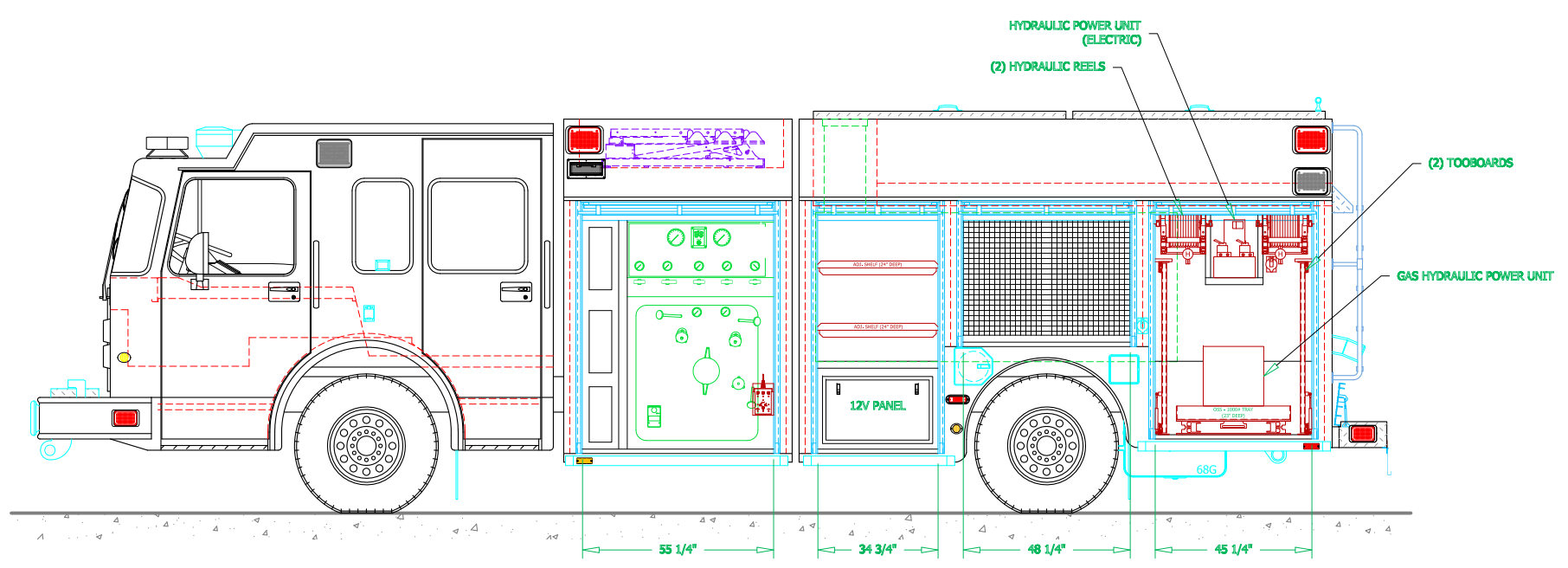
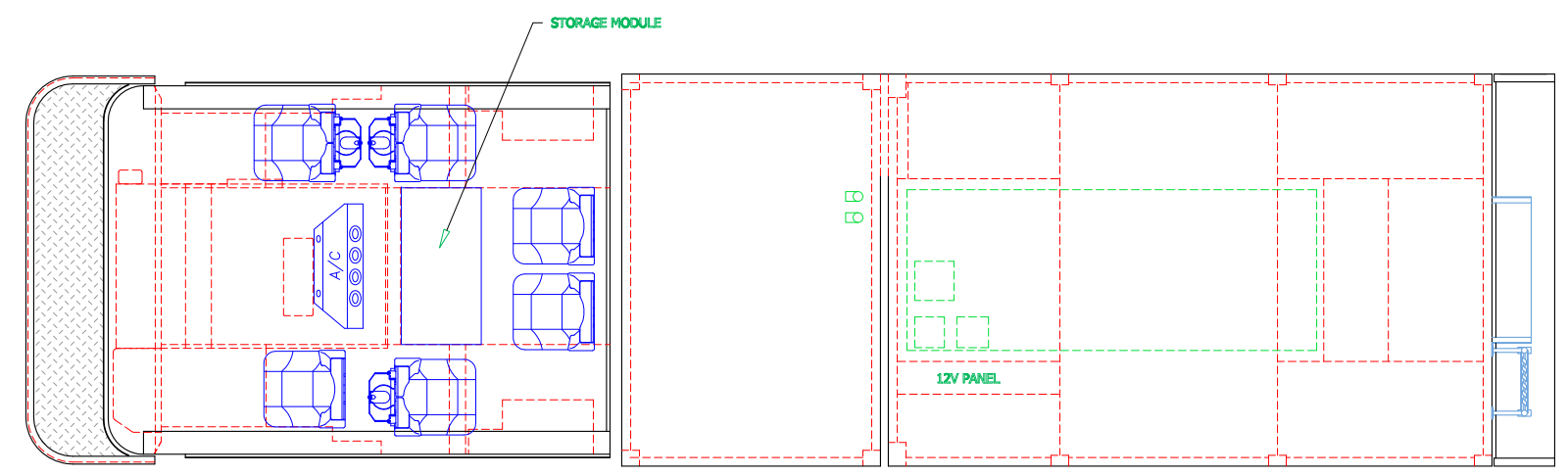
SVI FIRE & RESCUE TRUCKS
 1511 E. 11th STREET, LOVELAND, CO 80537 PHONE 970-667-5146, FAX 970-667-3343


AJAX FIRE AND EMERGENCY SERVICES

BODY SIZE: 14' BODY	UNIT TYPE: RESCUE PUMPER
BODY MATERIAL: 3/16" ALUMINUM	TRUCK NO: -
CHASSIS TYPE: SPARTAN	WHEELBASE: SEE DWG
METRO STAR MFD	CAB TO AXLE: SEE DWG
4 DOOR	OVERALL LENGTH (OAL): SEE DWG
10"RR	OVERALL WIDTH (OAW): SEE DWG
	OVERALL HEIGHT (OAH): SEE DWG

REVISIONS			
REV	DESCRIPTION	DATE	BY

NOTE 1: Do not scale drawing. This drawing is for general truck configuration only. All items and dimensions shown are approximate and may vary with final production. The drawing may not provide illustration for all items in the specification. In all situations where the drawing may contradict the specifications, the specifications shall prevail. This drawing and all data herein are provided as confidential materials and shall not be reproduced without written consent of the manufacturer.





LOVELAND SVI COLORADO

SVI FIRE & RESCUE TRUCKS
1511 E. 11th STREET, LOVELAND, CO 80537 PHONE 970-667-5146, FAX 970-667-3343

AJAX FIRE AND EMERGENCY SERVICES

DRAWN BY: HJR	DATE: March 11, 2010	SCALE: 1/4" = 1' - 0"
DRAWING NO: Ajax_ON_rp_770_PRELIM1.dwg	SHEET 2 OF 2	