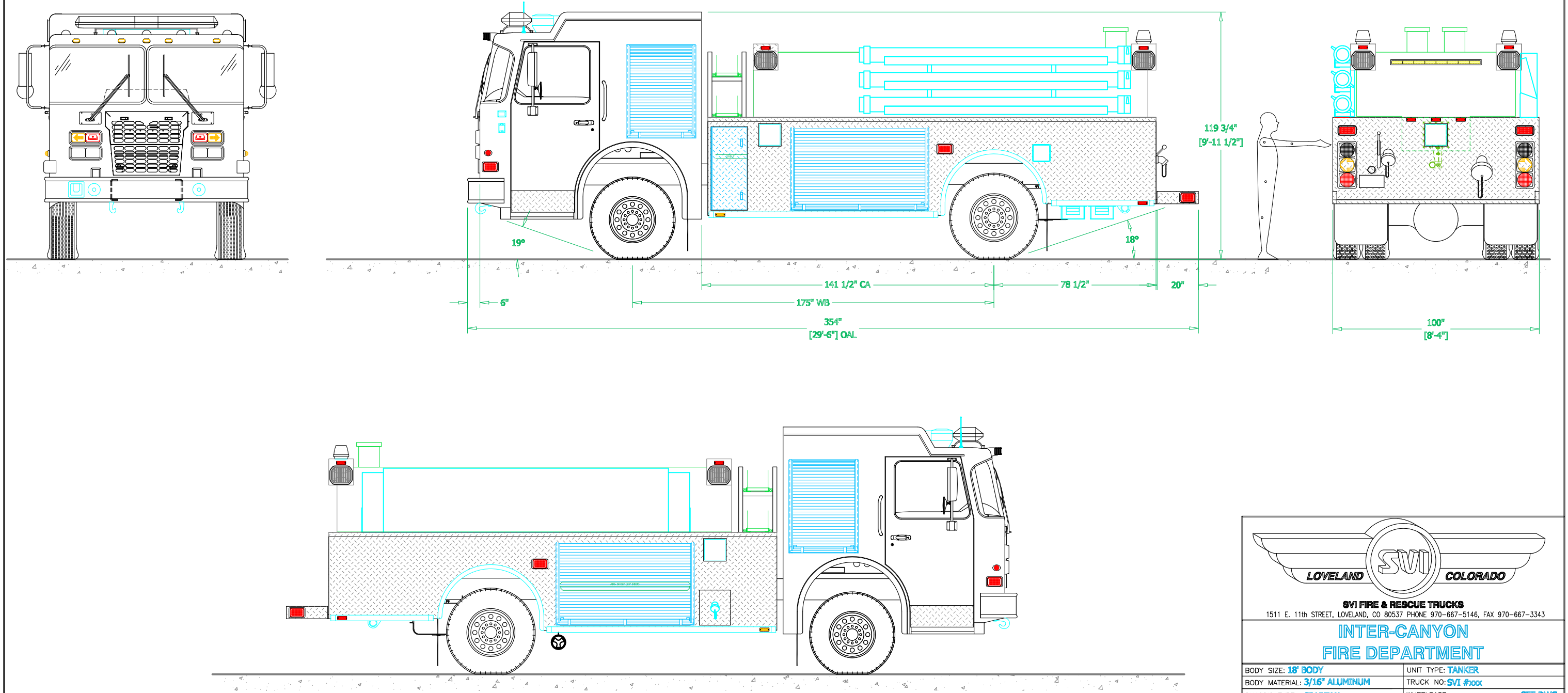


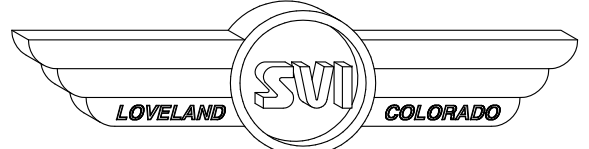
PRELIMINARY DRAWING - FOR LAYOUT PURPOSES ONLY

| REVISIONS |             |      |    |
|-----------|-------------|------|----|
| REV       | DESCRIPTION | DATE | BY |
|           |             |      |    |

NOTE 1: Do not scale drawing. This drawing is for general truck configuration only. All items and dimensions shown are approximate and may vary with final production. The drawing may not provide illustration for all items in the specification. In all situations where the drawing may contradict the specifications, the specifications shall prevail. This drawing and all data herein are provided as confidential materials and shall not be reproduced without written consent of the manufacturer.

NOTE 2: Chassis frame height will change due to axle characteristics, loading and the dimensions which will effect the overall height dimension shown. Any overall height restrictions should take this into consideration and allow approximately 2-3 inches of tolerance.





**LOVELAND SVI COLORADO**

SVI FIRE & RESCUE TRUCKS  
1511 E. 11th STREET, LOVELAND, CO 80537 PHONE 970-667-5146, FAX 970-667-3343

**INTER-CANYON  
FIRE DEPARTMENT**

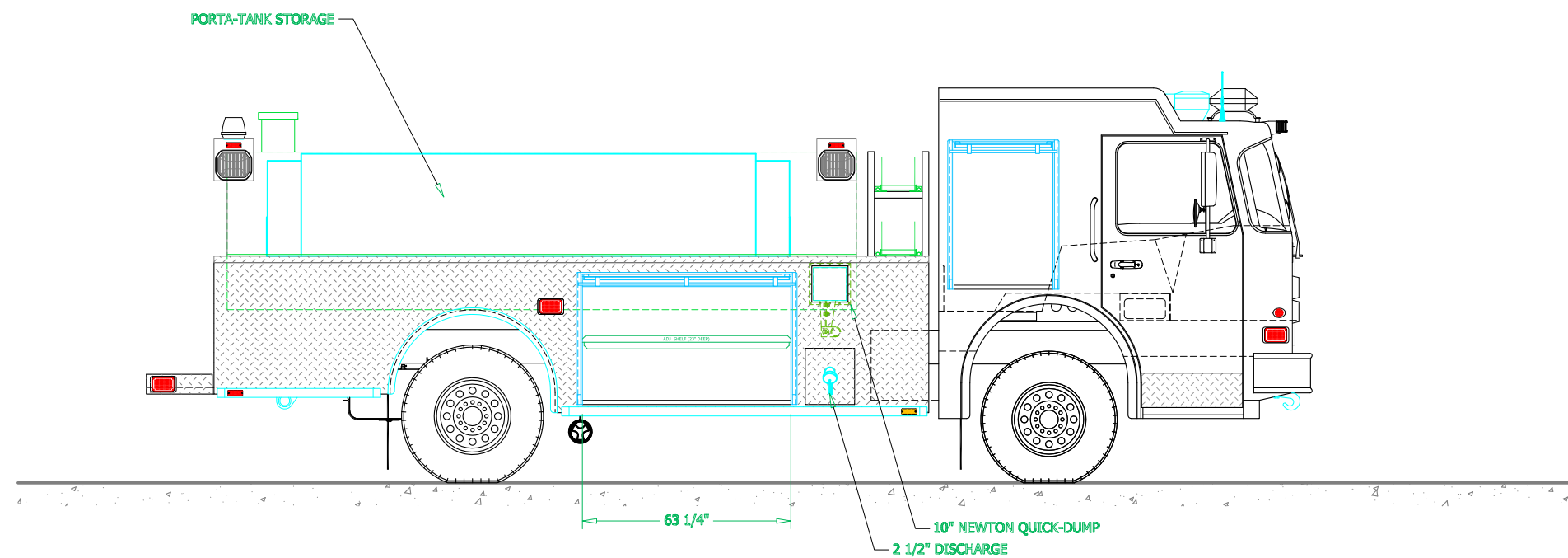
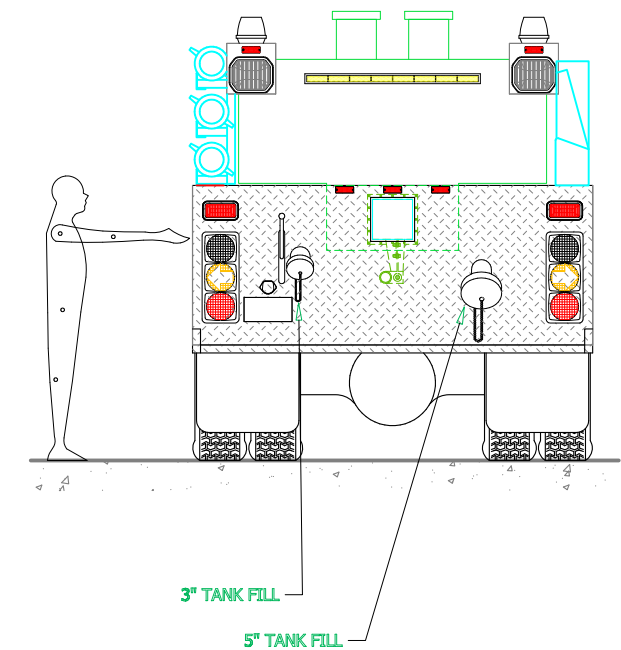
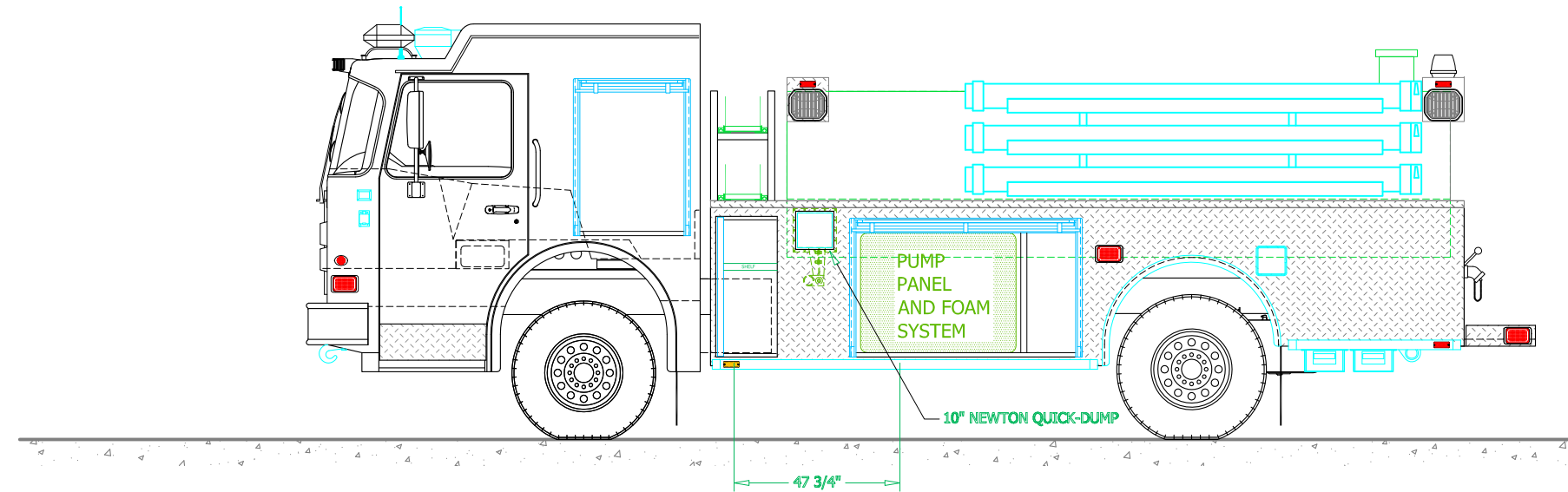
|                                      |                                      |
|--------------------------------------|--------------------------------------|
| BODY SIZE: <b>18' BODY</b>           | UNIT TYPE: <b>TANKER</b>             |
| BODY MATERIAL: <b>3/16" ALUMINUM</b> | TRUCK NO: <b>SVI #3000</b>           |
| CHASSIS TYPE: <b>SPARTAN</b>         | WHEELBASE: <b>SEE DWG</b>            |
| <b>METRO STAR LTD</b>                | CAB TO AXLE: <b>SEE DWG</b>          |
| <b>10"RR</b>                         | OVERALL LENGTH (OAL): <b>SEE DWG</b> |
| <b>TWO DOOR</b>                      | OVERALL WIDTH (OAW): <b>SEE DWG</b>  |
|                                      | OVERALL HEIGHT (OAH): <b>SEE DWG</b> |

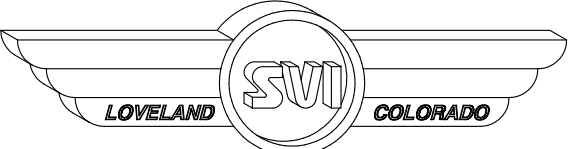
DRAWN BY: **HJR**    DATE: **FEBRUARY 13, 2009**    SCALE: **3/32" = 1'-0"**  
DRAWING NO: **INTERCANYON\_CO\_TANKER\_PRECON**    SHEET **1 OF 2**

PRELIMINARY DRAWING - FOR LAYOUT PURPOSES ONLY

| REVISIONS |             |      |    |
|-----------|-------------|------|----|
| REV       | DESCRIPTION | DATE | BY |
|           |             |      |    |

NOTE 1: Do not scale drawing. This drawing is for general truck configuration only. All items and dimensions shown are approximate and may vary with final production. The drawing may not provide illustration for all items in the specification. In all situations where the drawing may contradict the specifications, the specifications shall prevail. This drawing and all data herein are provided as confidential materials and shall not be reproduced without written consent of the manufacturer.





**LOVELAND SVI COLORADO**

**SVI FIRE & RESCUE TRUCKS**  
 1511 E. 11th STREET, LOVELAND, CO 80537 PHONE 970-667-5146, FAX 970-667-3343

**INTER-CANYON  
 FIRE DEPARTMENT**

|  |                         |                      |
|--|-------------------------|----------------------|
| DRAWN BY: HJR                            | DATE: FEBRUARY 13, 2009 | SCALE: 3/32" = 1'-0" |
| DRAWING NO: INTERCANYON_CO_TANKER_PRECON |                         | SHEET 2 OF 2         |