

Jefferson- Como FD Tanker



SVI Truck# 931- Jefferson - Como FD, Tanker

Chassis

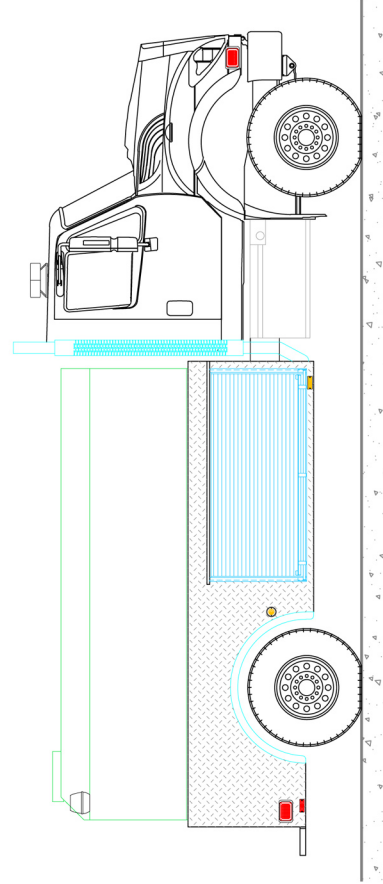
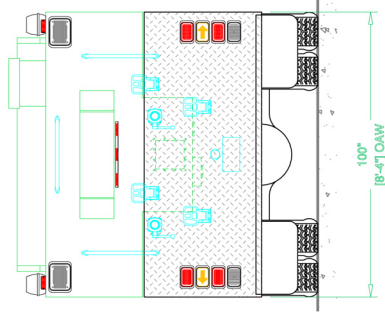
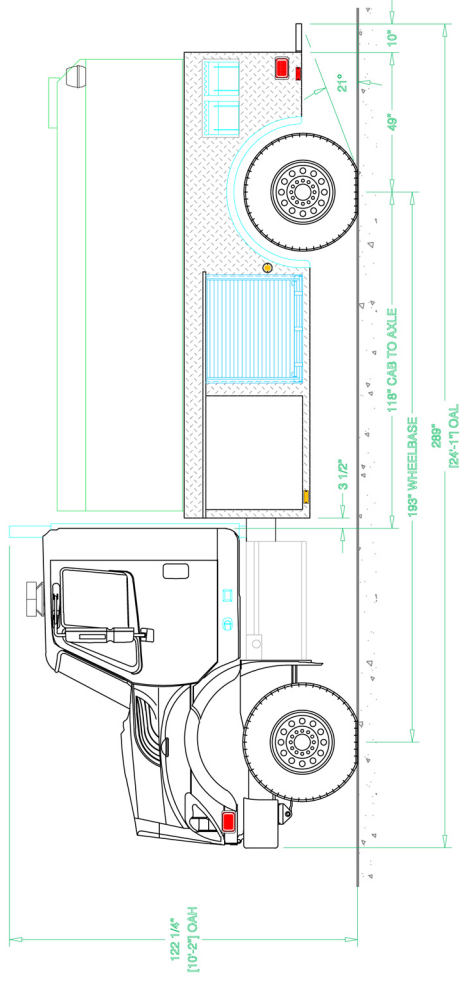
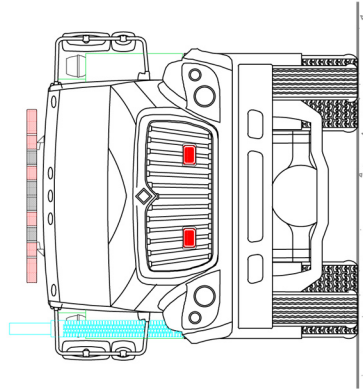
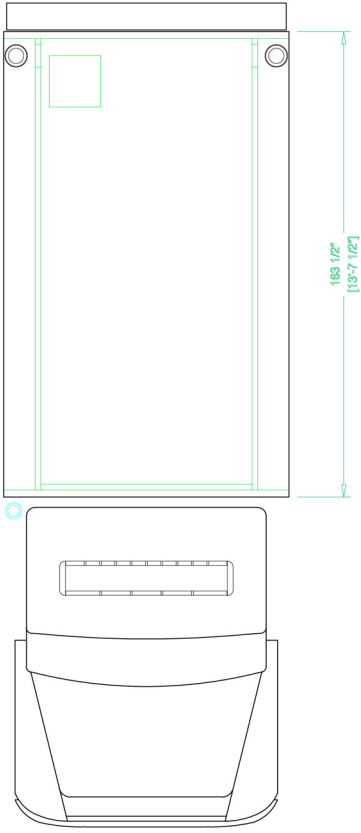
Cab: International 7400 SFA 4x2
Engine: Navistar N9, 330HP
Transmission: Allison 3000 EVS
Wheelbase: 195"

Body

Material: Aluminum
Body Length: 14'
Overall Height: 10'-2"
Overall Length: 24'-1"

Features

2,000 USG Poly Water Tank
Newton Kwik-Dump 1010-34, 10" x 10" Dump Valve
180° Swivel Chute w/36" Telescopic Extension
Darley HM 500 GPM Pump
100' x 1" Booster Reel
Whelen LED Light Package



See more at svitrucks.com/937