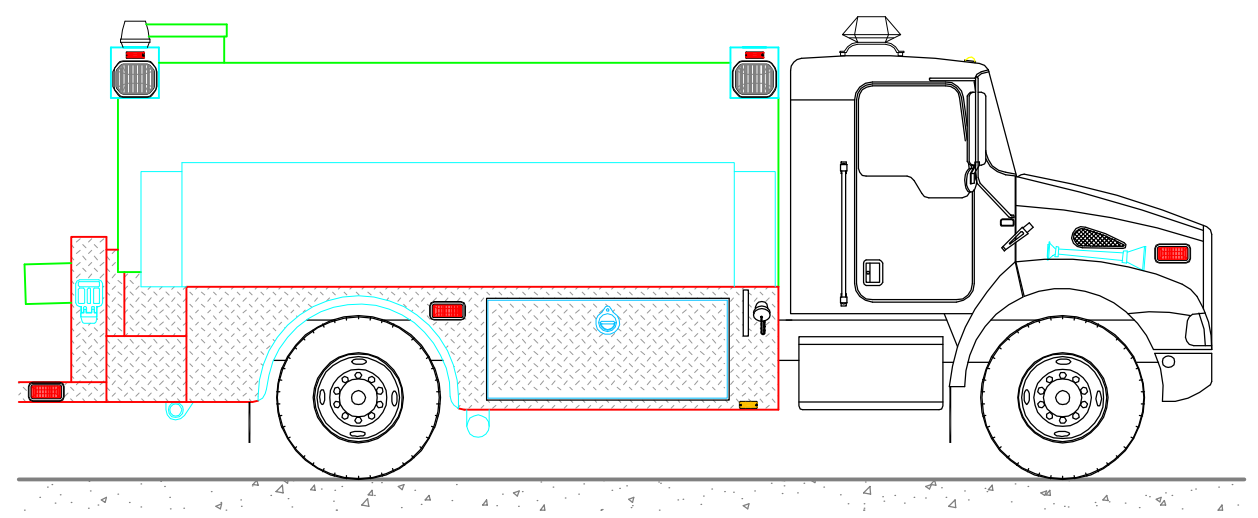
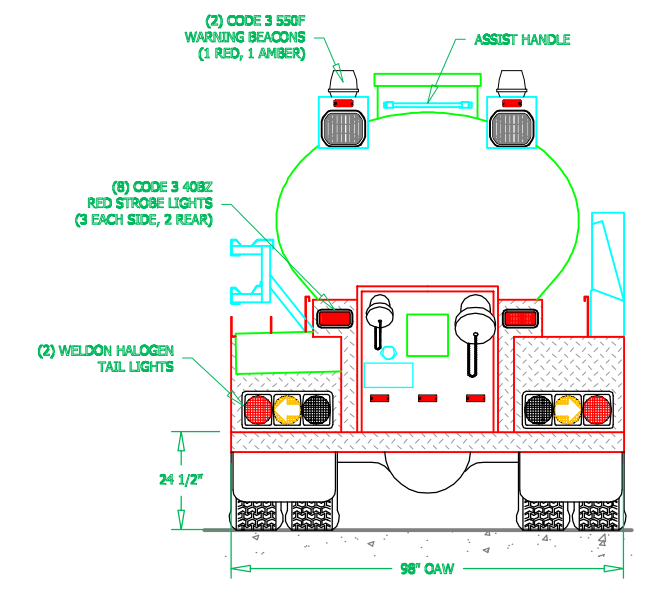
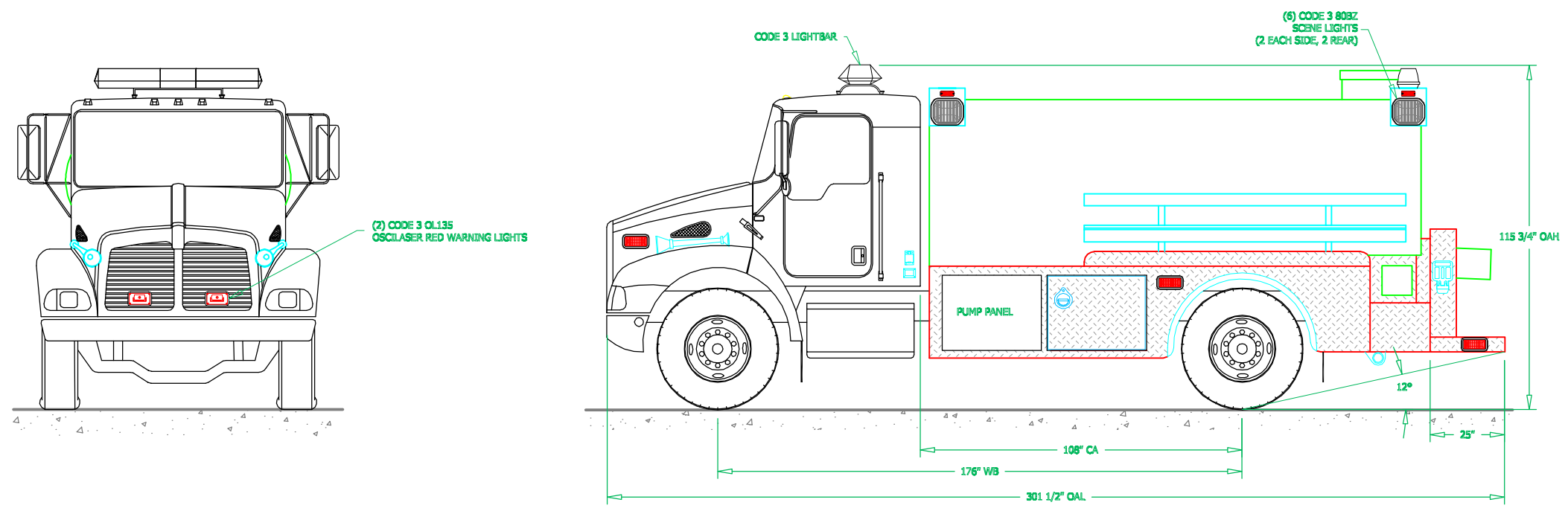



REVISIONS			
REV	DESCRIPTION	DATE	BY

**NOTE 1:** Do not scale drawing. This drawing is for general truck configuration only. All items and dimensions shown are approximate and may vary with final production. The drawing may not provide illustration for all items in the specification. In all situations where the drawing may contradict the specifications, the specifications shall prevail. This drawing and all data herein are provided as confidential materials and shall not be reproduced without written consent of the manufacturer.

**NOTE 2:** Chassis frame height will change due to axle characteristics, loading and tire dimensions which will affect the overall height dimension shown. Any overall height restrictions should take this into consideration and allow approximately 2-3 inches of tolerance.





**LOVELAND SVI COLORADO**

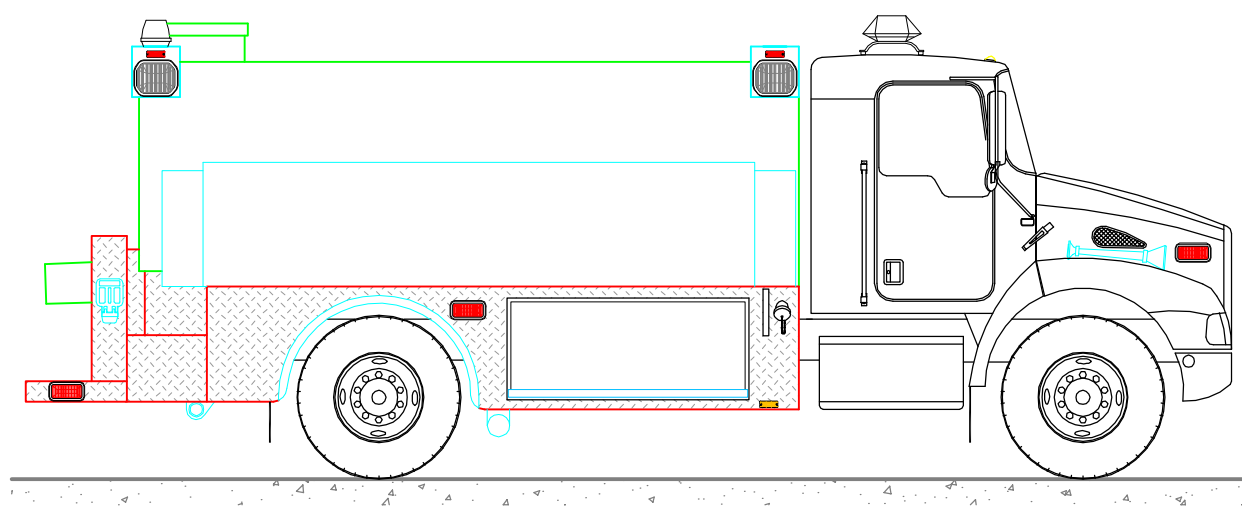
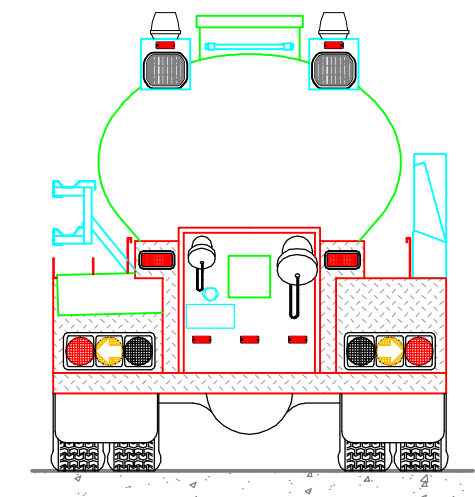
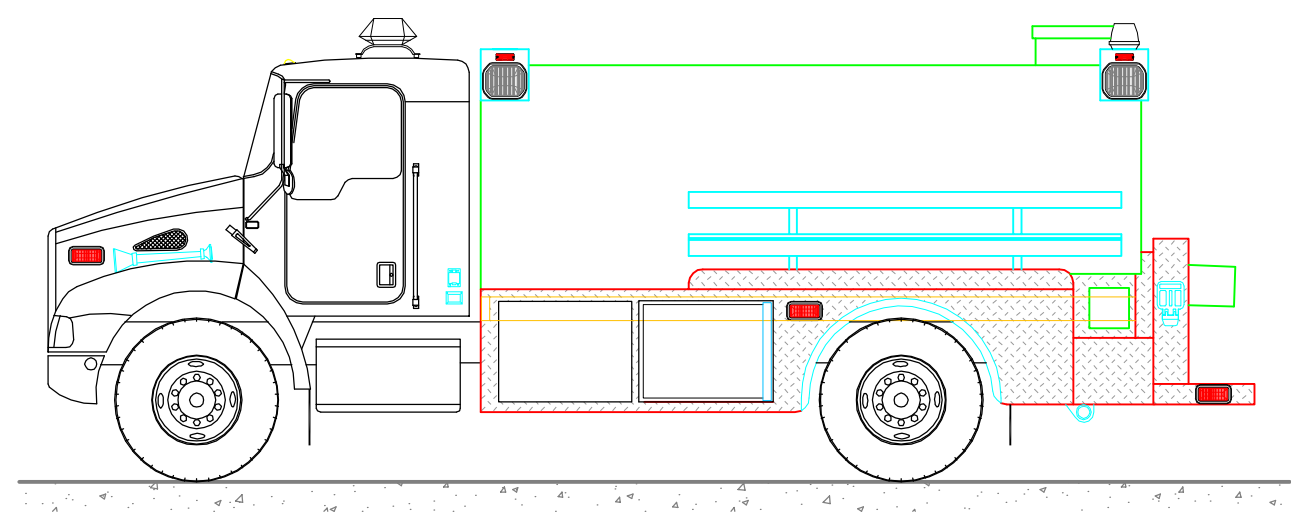
**SVI FIRE & RESCUE TRUCKS**  
1511 E. 11th STREET, LOVELAND, CO 80537 PHONE 970-667-5146, FAX 970-667-3343

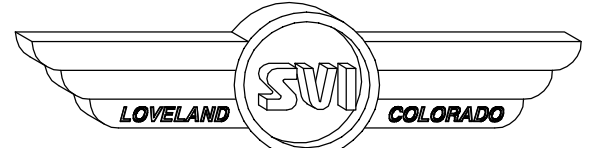
**JOHNSTOWN  
FIRE PROTECTION DISTRICT**

BODY SIZE: 2000 GAL POLY TANK	UNIT TYPE: ELLIPTICAL TANKER
BODY MATERIAL: 3/16" ALUMINUM	TRUCK NO: 574
CHASSIS TYPE: KENWORTH T300 2 DOOR 4 X 2	WHEELBASE: SEE DWG CAB TO AXLE: SEE DWG OVERALL LENGTH (OAL): SEE DWG OVERALL WIDTH (OAW): SEE DWG OVERALL HEIGHT (OAH): SEE DWG
DRAWN BY: NMT	DATE: May 23, 2006
DRAWING NO: JOHNSTOWN_CO_TK_574_ASSEMBLT.dwg	SCALE: 1/4" = 1' - 0" SHEET 1 OF 2

REVISIONS			
REV	DESCRIPTION	DATE	BY

NOTE 1: Do not scale drawing. This drawing is for general truck configuration only. All items and dimensions shown are approximate and may vary with final production. The drawing may not provide illustration for all items in the specification. In all situations where the drawing may contradict the specifications, the specifications shall prevail. This drawing and all data herein are provided as confidential materials and shall not be reproduced without written consent of the manufacturer.





**SVI FIRE & RESCUE TRUCKS**  
 1511 E. 11th STREET, LOVELAND, CO 80537 PHONE 970-667-5146, FAX 970-667-3343

**JOHNSTOWN  
 FIRE PROTECTION DISTRICT**

DRAWN BY: NMT	DATE: May 23, 2006	SCALE: 1/4" = 1' - 0"
DRAWING NO: JOHNSTOWN_CO_TK_574_ASSEMBLT.dwg	SHEET 2 OF 2	