

# DESIGN DRAWING

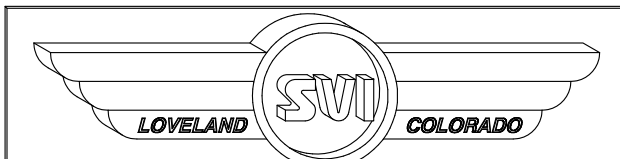
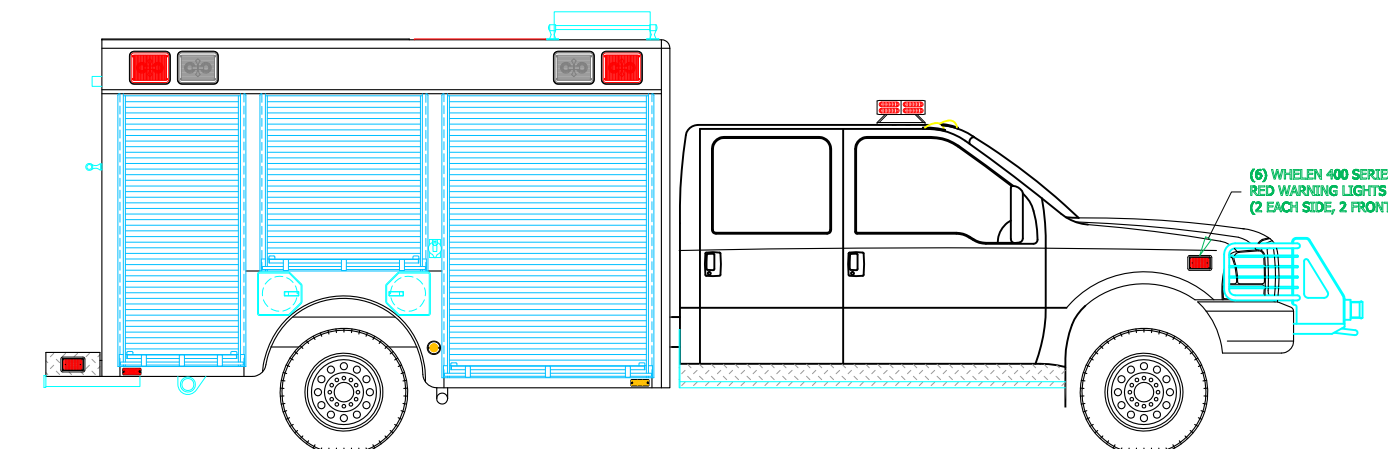
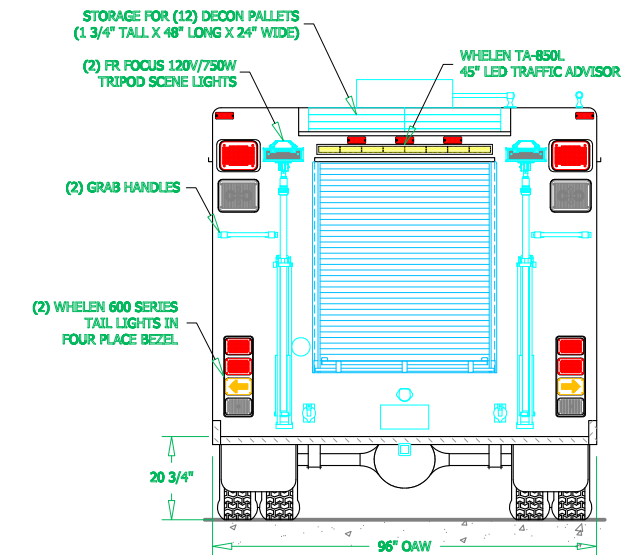
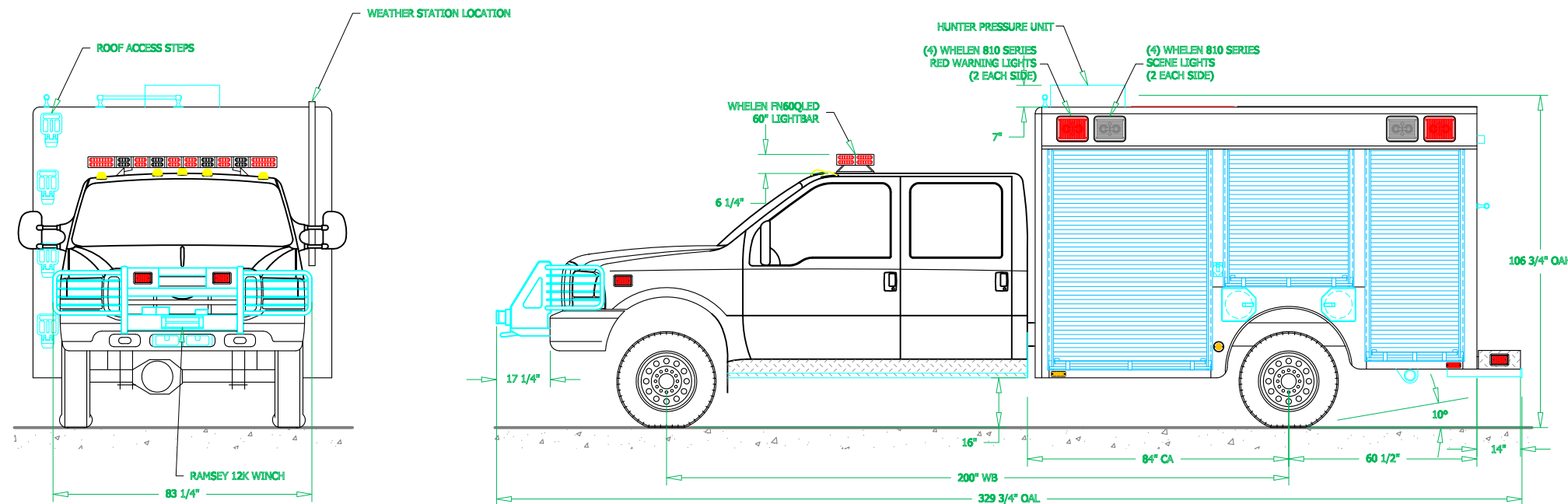
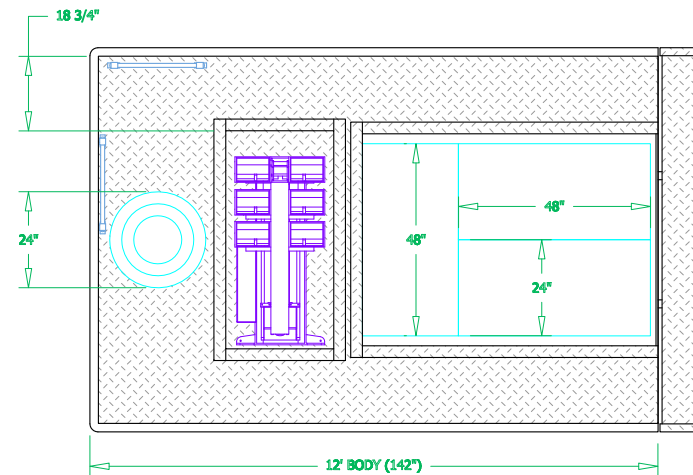
REVISIONS			
REV	DESCRIPTION	DATE	BY
A	CHANGE ORDER #1 MODIFICATIONS	7/27/05	NMT
B	RE-LOCATED HOT WATER HEATER RAMP	8/29/05	NMT

NOTE: Do not scale drawing. This drawing is for general truck configuration only. All items and dimensions shown are approximate and may vary with final production. The drawing may not provide illustration for all items in the specification. In all situations where the drawing may contradict the specifications, the specifications shall prevail. This drawing and all data herein are provided as confidential materials and shall not be reproduced without written consent of Super Vacuum Mfg. Co., Inc.

NOTE: Chassis frame height will change due to axle characteristics, loading and tire dimensions. Changes in frame height will affect the overall height dimension shown. Any overall height restrictions should take this into consideration and allow approximately 2 inches of tolerance.

**APPROVAL DRAWING**  
**PLEASE RETURN ONE SIGNED COPY**  
**APPROVED BY:** \_\_\_\_\_  
**DATE:** \_\_\_\_\_

AS IS     REVISE AS NOTED



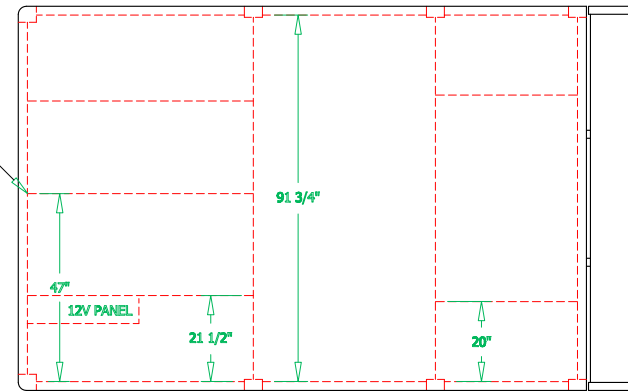
**SVI FIRE & RESCUE TRUCKS**  
 1511 E. 11th STREET, LOVELAND, CO 80537 PHONE 970-667-5146, FAX 970-667-3343

**LIFE SAFETY SYSTEMS**  
**KOREA**

BODY SIZE:	12' BODY	UNIT TYPE:	LIGHT RESCUE
BODY MATERIAL:	3/16" ALUMINUM	TRUCK NO:	572
CHASSIS TYPE:	FORD F 550 4X4 4 DOOR	WHEELBASE:	200"
		CAB TO AXLE:	84"
		OVERALL LENGTH (OAL):	329 3/4"
		OVERALL WIDTH (OAW):	96"
		OVERALL HEIGHT (OAH):	106 3/4"

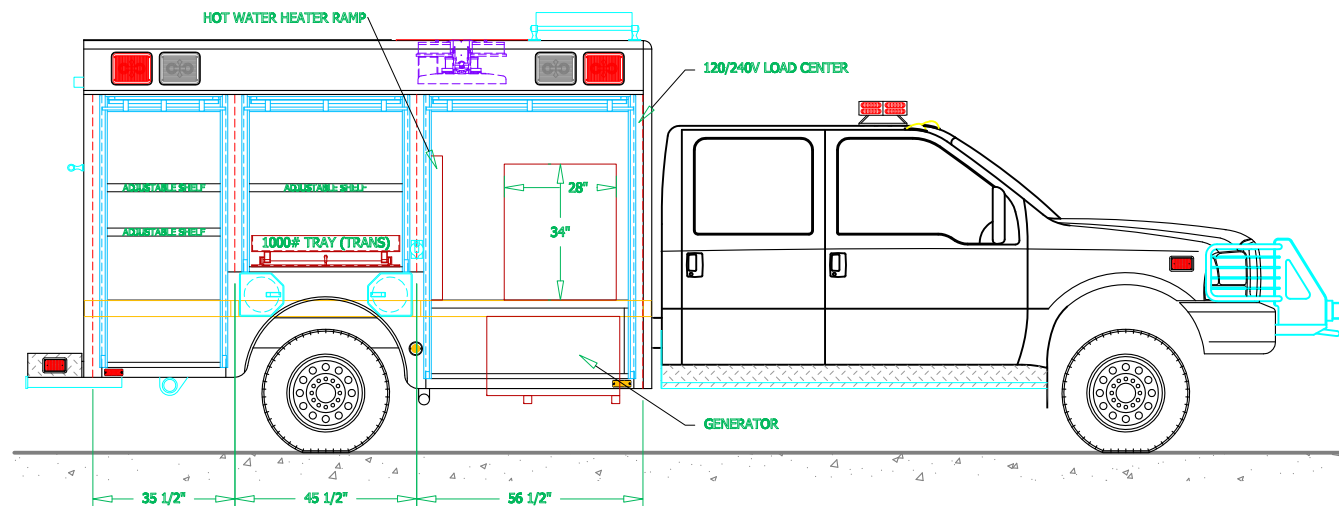
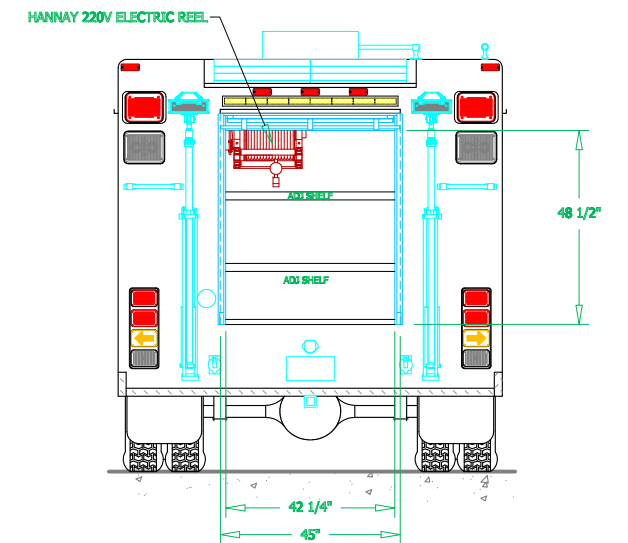
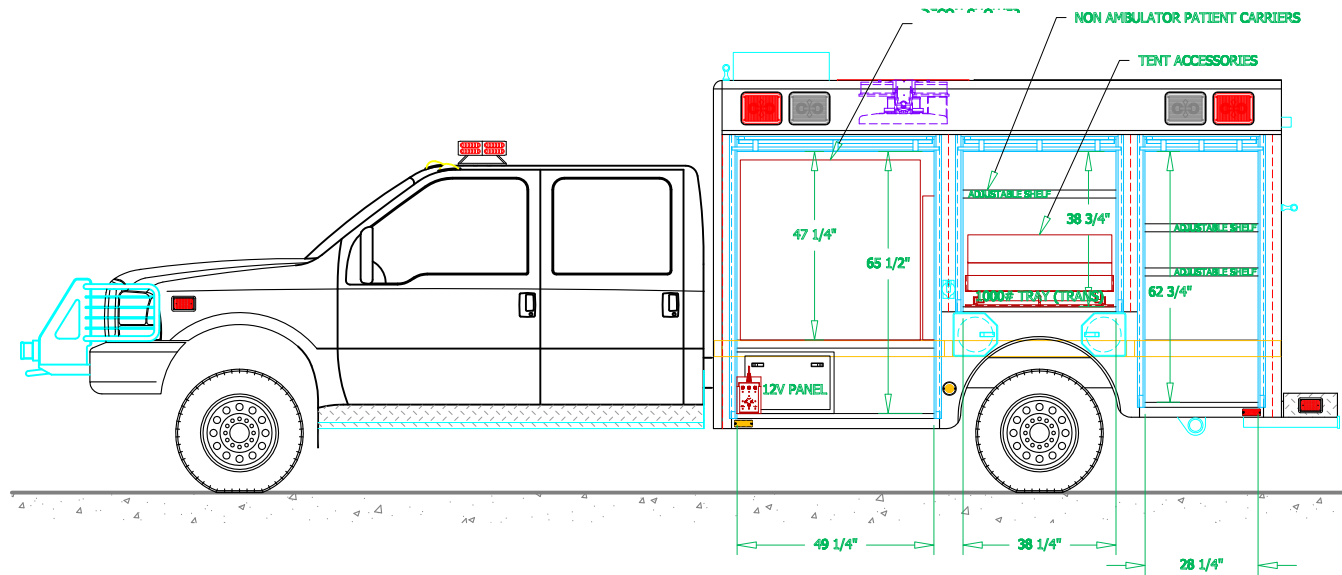
DESIGN DRAWING


VERTICAL DIVIDER TO KEEP DECON SHOWER FROM MOVING AROUND  
(HEIGHT NOT TO INTERFERE WITH HUNTER SYSTEM)  
(WIDTH TO ALLOW ROOF FOR THE RAMP)



NOTE: Do not scale drawing. This drawing is for general truck configuration only. All items and dimensions shown are approximate and may vary with final production. The drawing may not provide illustration for all items in the specification. In all situations where the drawing may contradict the specifications, the specifications shall prevail. This drawing and all data herein are provided as confidential materials and shall not be reproduced without written consent of Super Vacuum Mfg. Co., Inc.

APPROVAL DRAWING  
PLEASE RETURN ONE SIGNED COPY  
APPROVED BY: \_\_\_\_\_  
DATE: \_\_\_\_\_  
 AS IS     REVISE AS NOTED





**LOVELAND SVI COLORADO**

**SVI FIRE & RESCUE TRUCKS**  
1511 E. 11th STREET, LOVELAND, CO 80537 PHONE 970-667-5146, FAX 970-667-3343

**LIFE SAFETY SYSTEMS KOREA**

DRAWN BY: JWG	DATE: OCT. 15 2009	SCALE: 1/4" = 1' - 0"
DRAWING NO: LSSKOREA_CA_LR_12_572_REV_B.DWG	SHEET 2 OF 2	