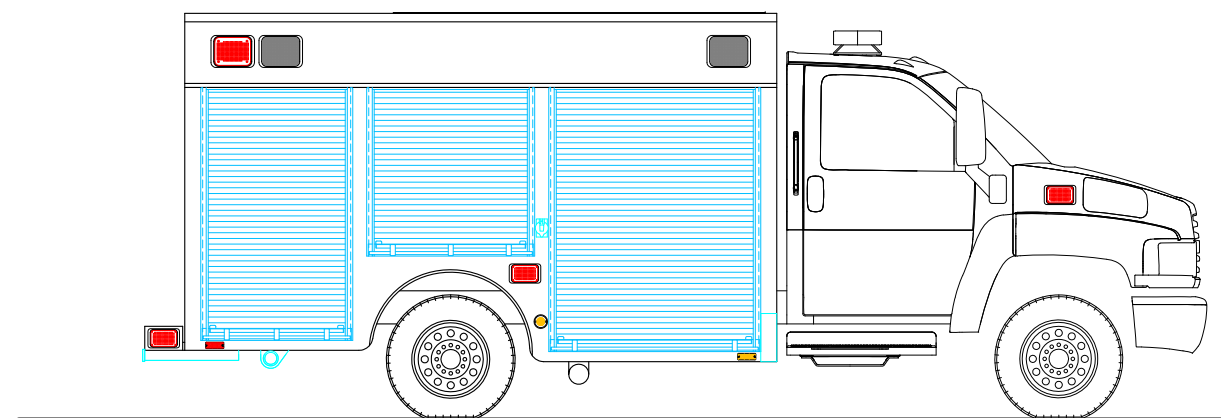
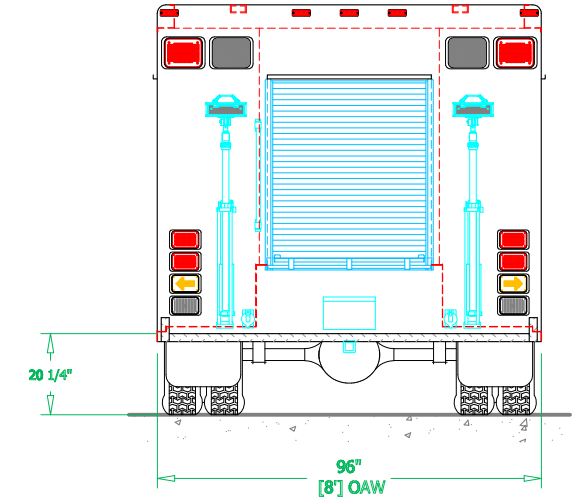
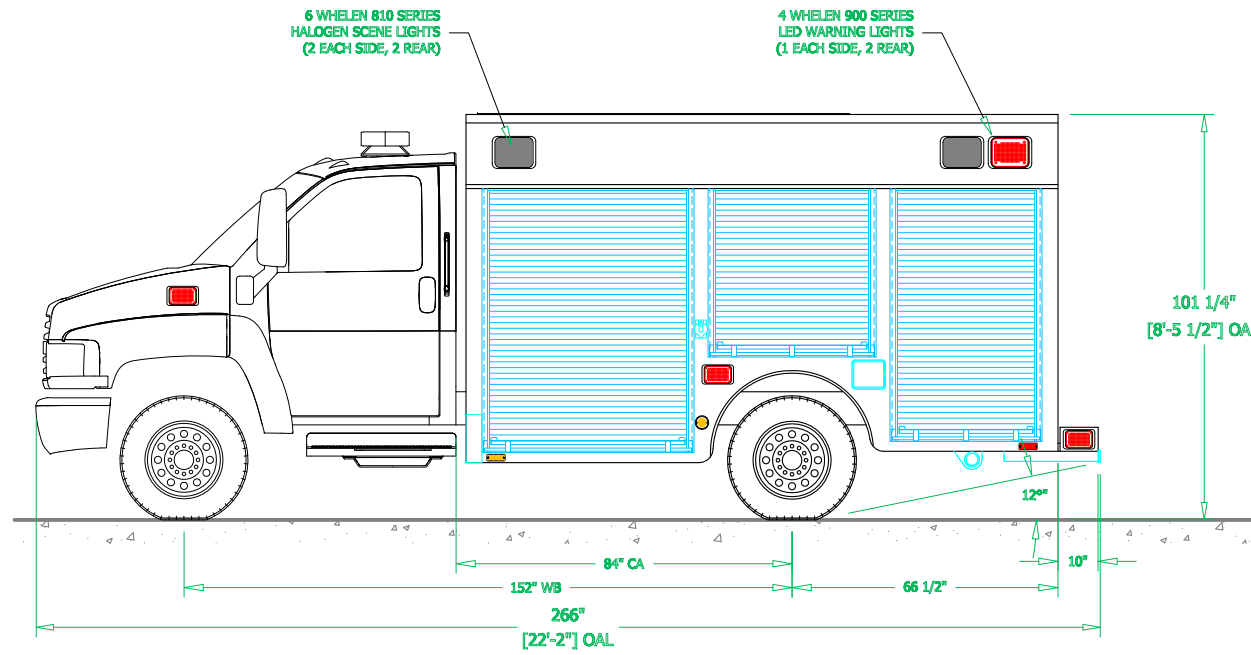
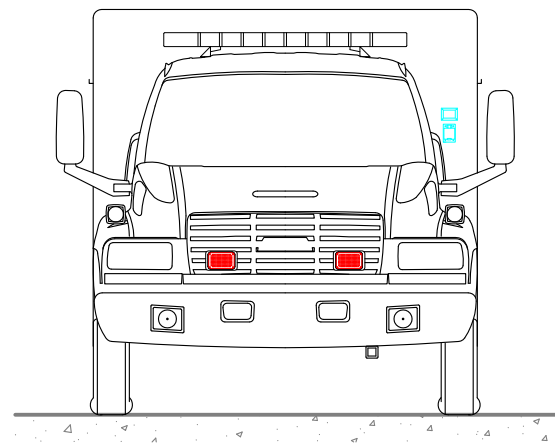
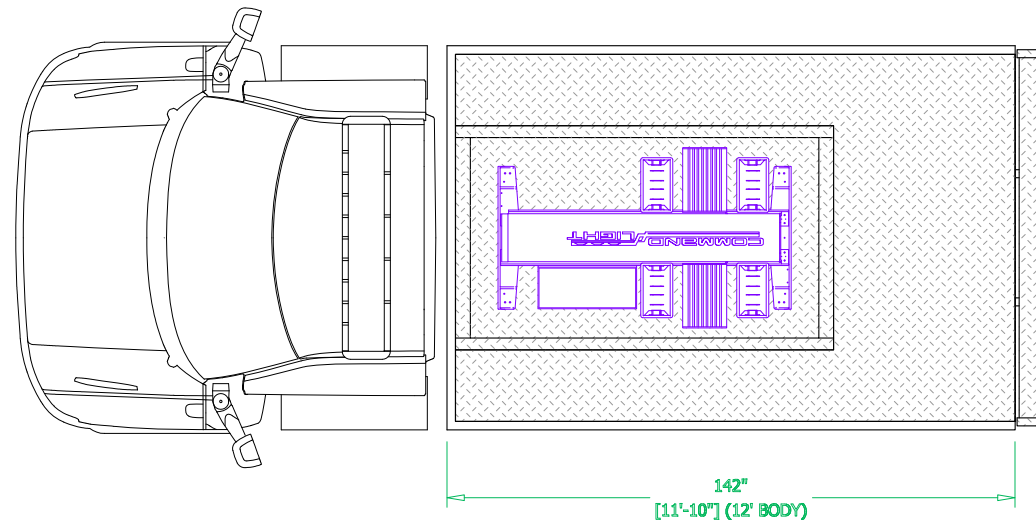


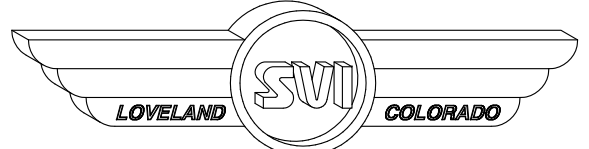
BID DRAWING

REVISIONS			
REV	DESCRIPTION	DATE	BY

NOTE 1: Do not scale drawing. This drawing is for general truck configuration only. All items and dimensions shown are approximate and may vary with final production. The drawing may not provide illustration for all items in the specification. In all situations where the drawing may contradict the specifications, the specifications shall prevail. This drawing and all data herein are provided as confidential materials and shall not be reproduced without written consent of the manufacturer.

NOTE 2: Chassis frame height will change due to axle characteristics, loading and the dimensions which will effect the overall height dimension shown. Any overall height restrictions should take this into consideration and allow approximately 2-3 inches of tolerance.





LOVELAND SVI COLORADO

SVI FIRE & RESCUE TRUCKS
1511 E. 11th STREET, LOVELAND, CO 80537 PHONE 970-667-5146, FAX 970-667-3343

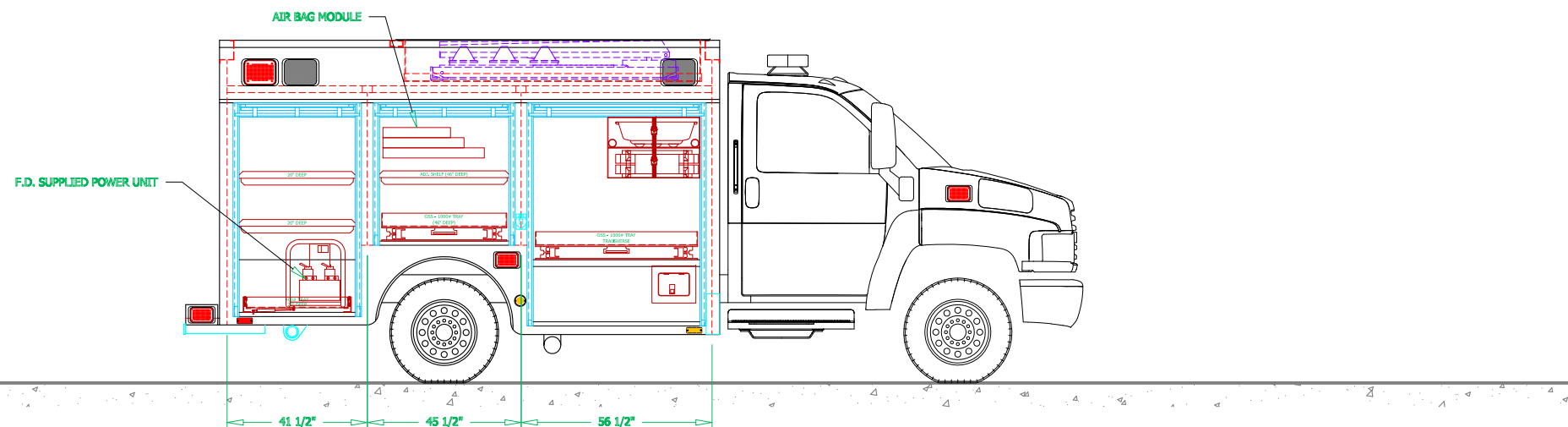
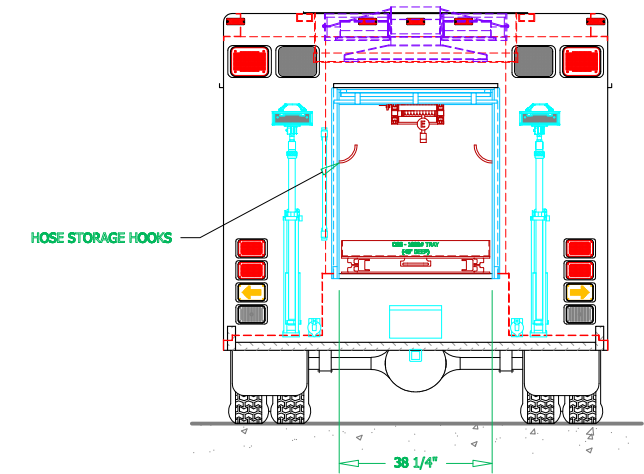
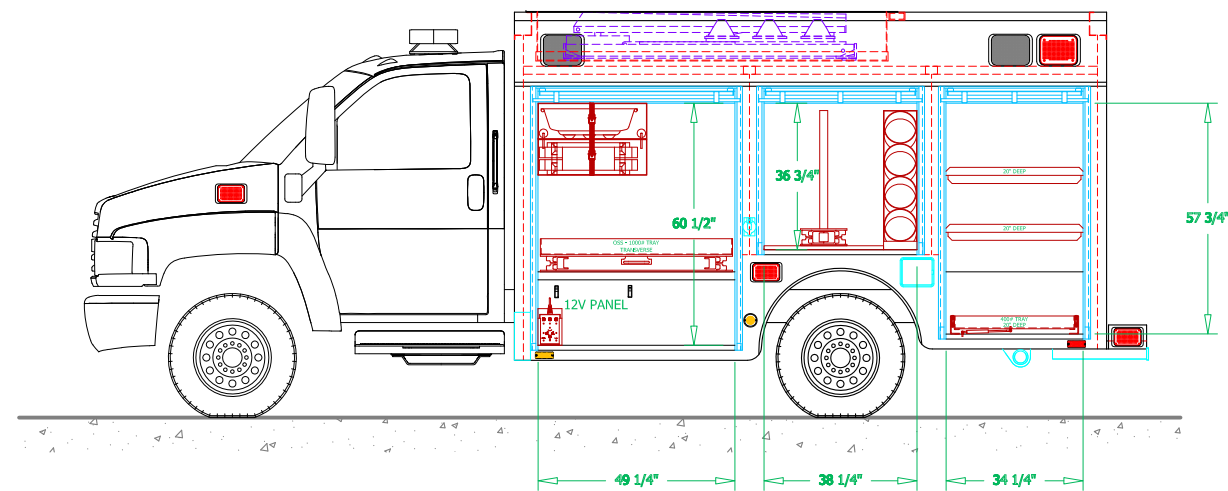
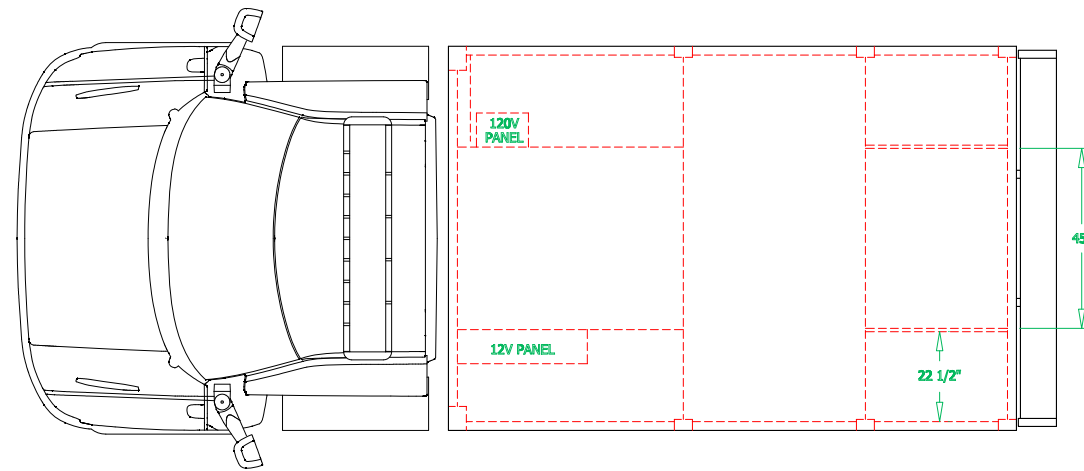
**MOULTON VOLUNTEER
FIRE DEPARTMENT**

BODY SIZE: 12' BODY	UNIT TYPE: LIGHT RESCUE
BODY MATERIAL: 3/16" ALUMINUM	TRUCK NO: SVI #xxx
CHASSIS TYPE: CHEVROLET	WHEELBASE: 152"
C4500	CAB TO AXLE: 84"
STANDARD	OVERALL LENGTH (OAL): 266"
TWO DOOR	OVERALL WIDTH (OAW): 96"
	OVERALL HEIGHT (OAH): 101 1/4"
DRAWN BY: JWG	DATE: DECEMBER 11, 2008
DRAWING NO: MOULTON_TX_LR_12_PRELIM1	SCALE: 3/32" = 1'-0"
	SHEET 1 OF 2

BID DRAWING

REVISIONS			
REV	DESCRIPTION	DATE	BY

NOTE 1: Do not scale drawing. This drawing is for general truck configuration only. All items and dimensions shown are approximate and may vary with final production. The drawing may not provide illustration for all items in the specification. In all situations where the drawing may contradict the specifications, the specifications shall prevail. This drawing and all data herein are provided as confidential materials and shall not be reproduced without written consent of the manufacturer.



SVI FIRE & RESCUE TRUCKS
1511 E. 11th STREET, LOVELAND, CO 80537 PHONE 970-667-5146, FAX 970-667-3343

**MOULTON VOLUNTEER
FIRE DEPARTMENT**

DRAWN BY: JWG	DATE: DECEMBER 11, 2008	SCALE: 3/32" = 1'-0"
DRAWING NO: MOULTON_TX_LR_12_PRELIM1		SHEET 2 OF 2