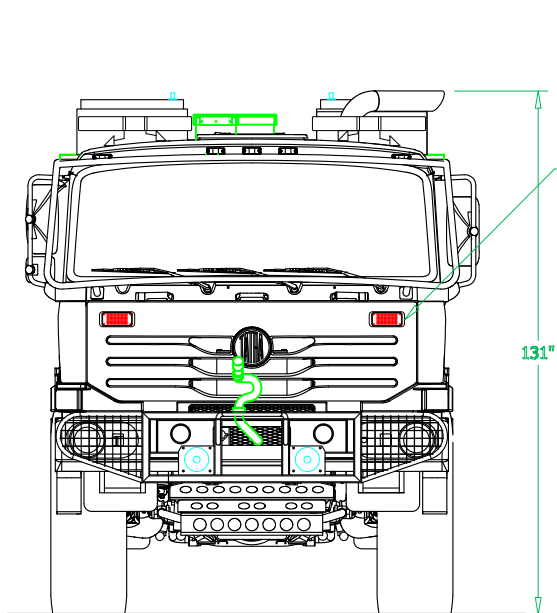
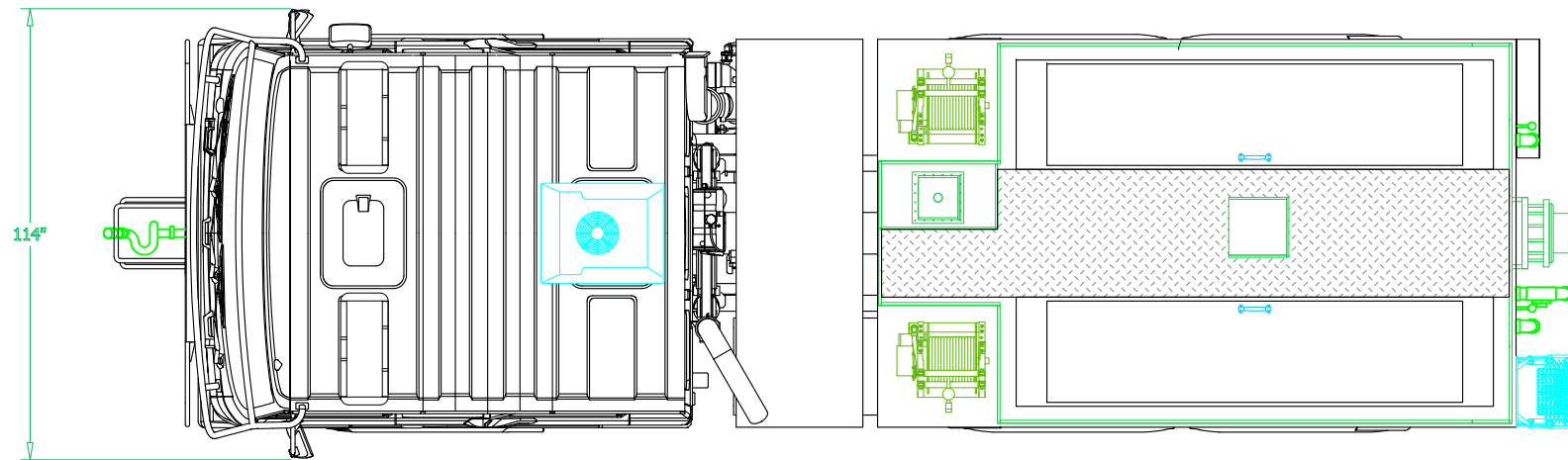


PRELIMINARY DRAWING - FOR LAYOUT PURPOSES ONLY

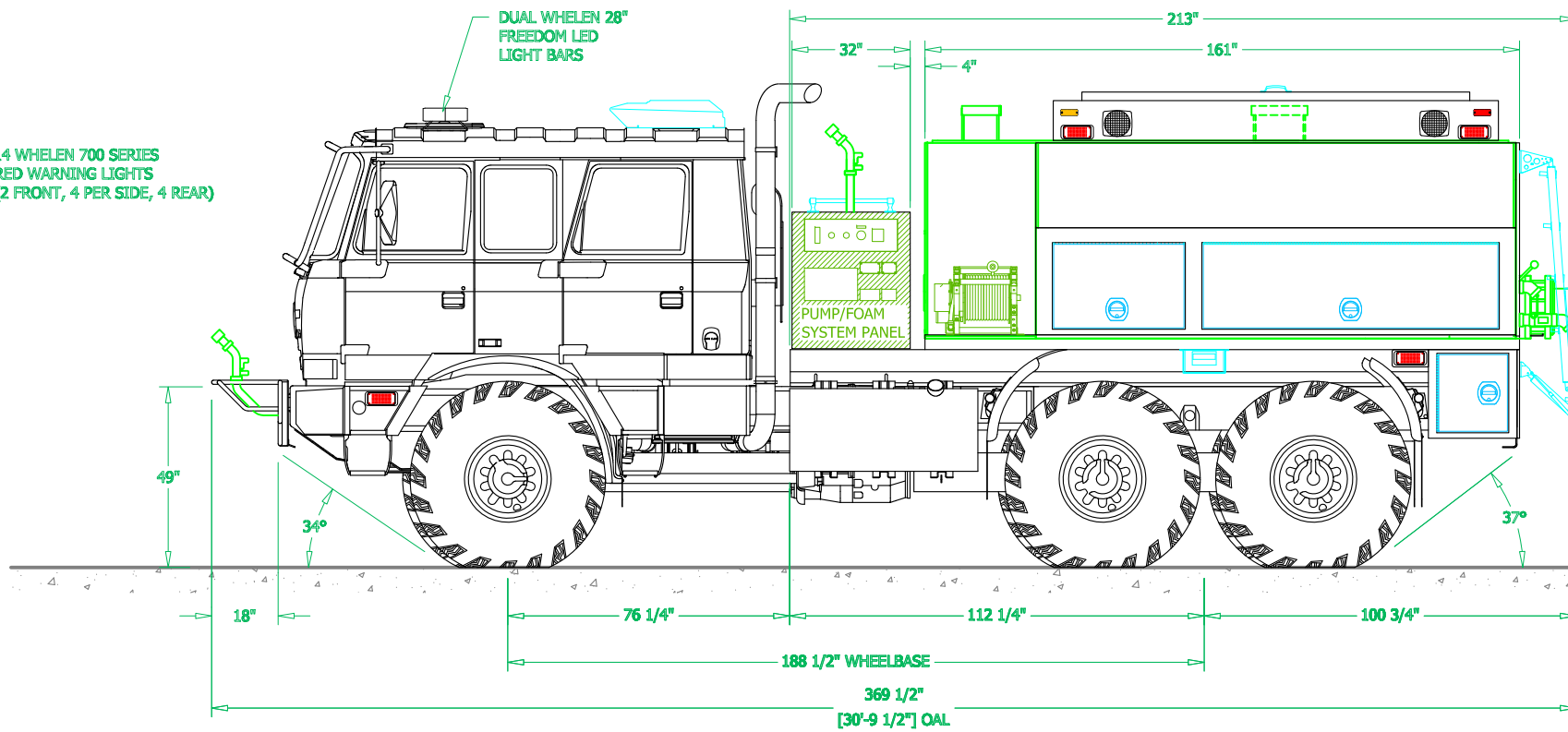
REVISIONS			
REV	DESCRIPTION	DATE	BY

NOTE 1: Do not scale drawing. This drawing is for general truck configuration only. All items and dimensions shown are approximate and may vary with final production. The drawing may not provide illustration for all items in the specification. In all situations where the drawing may contradict the specifications, the specifications shall prevail. This drawing and all data herein are provided as confidential materials and shall not be reproduced without written consent of the manufacturer.

NOTE 2: Chassis frame height will change due to axle characteristics, loading and the dimensions which will effect the overall height dimension shown. Any overall height restrictions should take this into consideration and allow approximately 2-3 inches of tolerance.

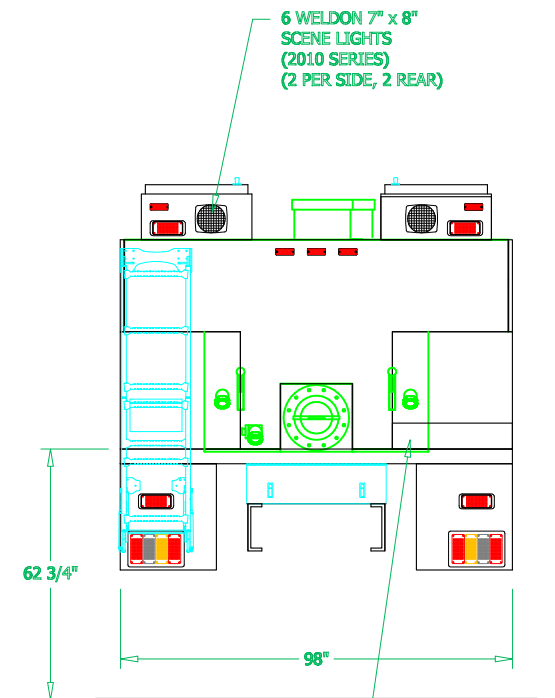


14 WHELEN 700 SERIES RED WARNING LIGHTS (2 FRONT, 4 PER SIDE, 4 REAR)

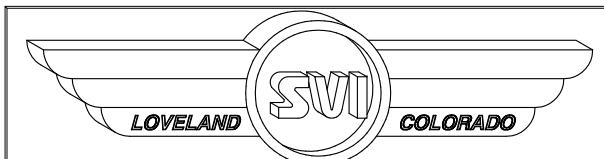
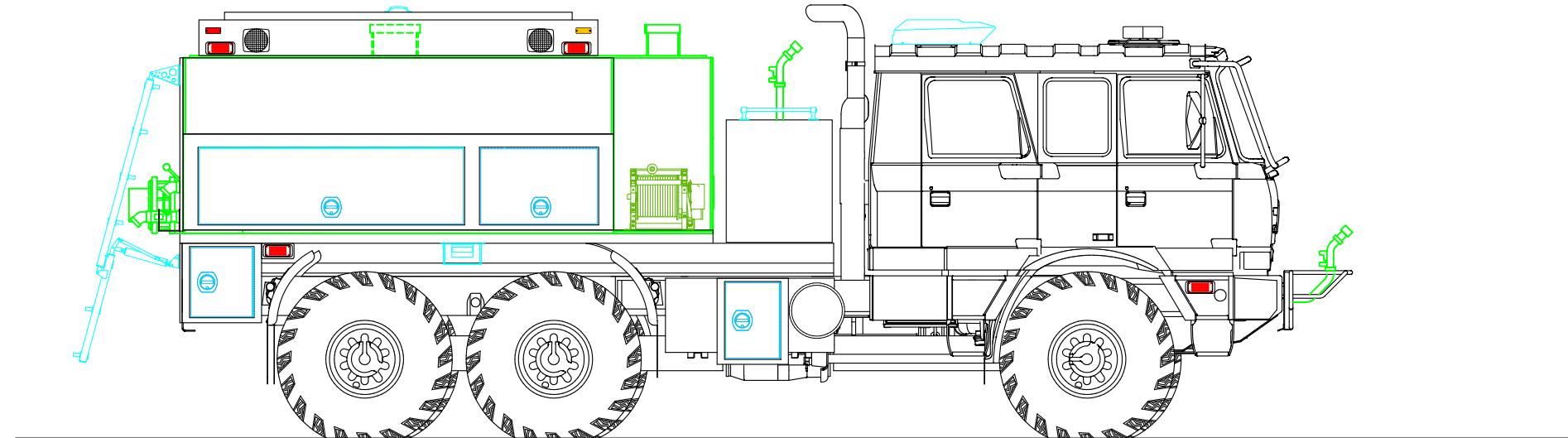


DUAL WHELEN 28" FREEDOM LED LIGHT BARS

PUMP/FOAM SYSTEM PANEL



HOSE TRAY FOR 25' OF DJ HOSE



SVI FIRE & RESCUE TRUCKS  
1511 E. 11th STREET, LOVELAND, CO 80537 PHONE 970-667-5146, FAX 970-667-3343

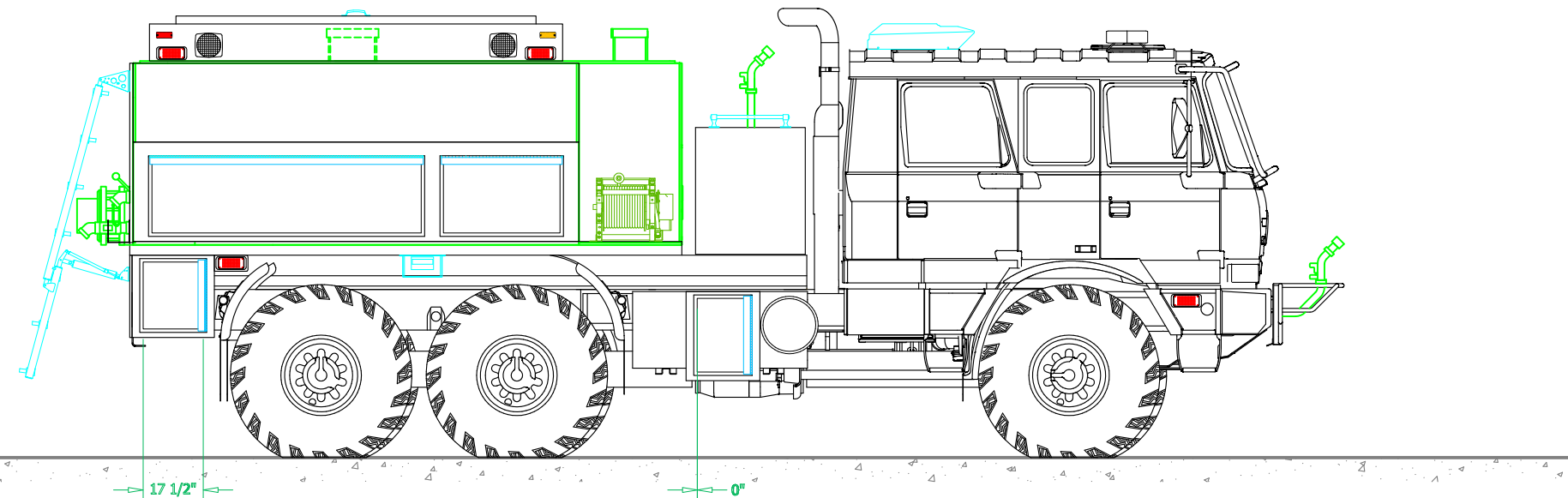
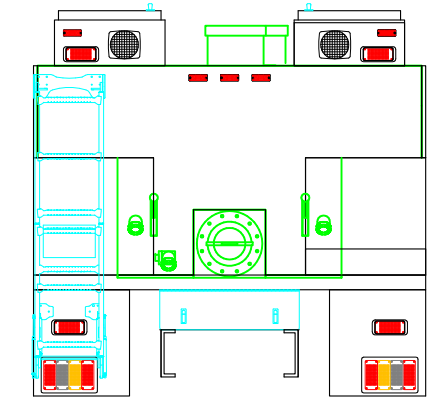
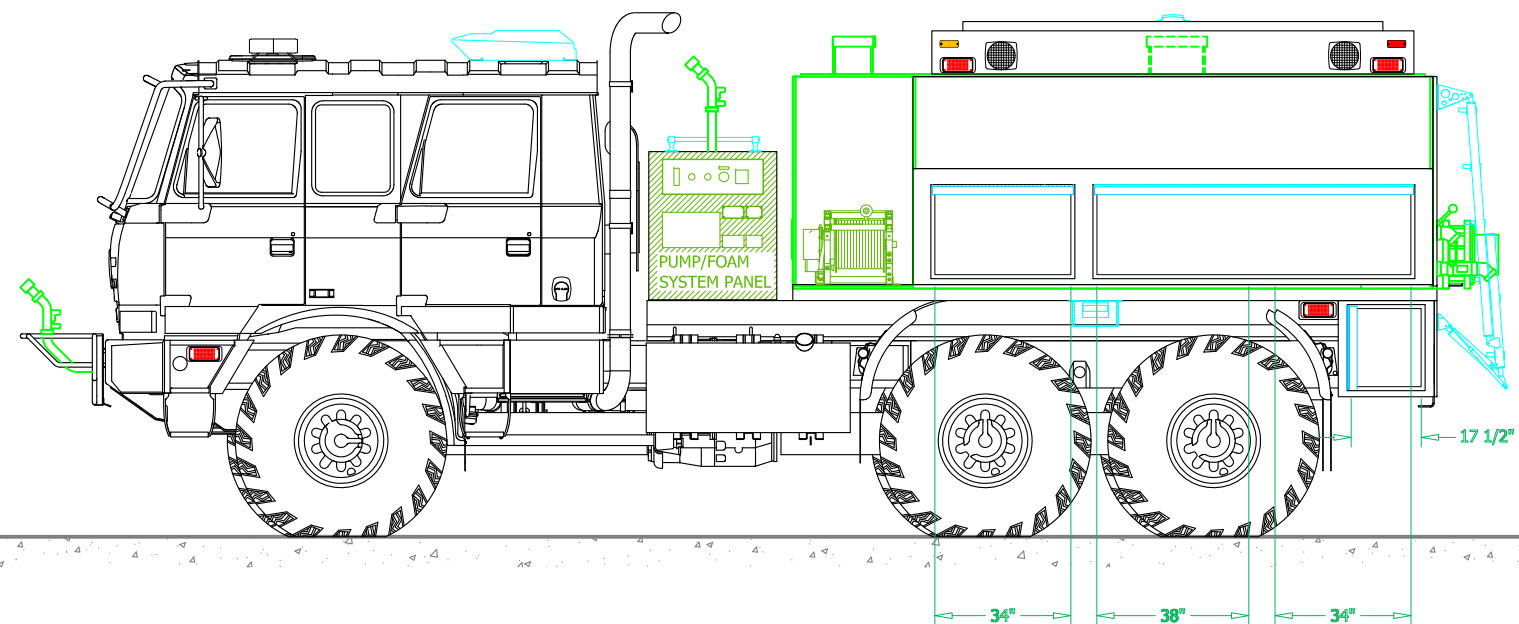
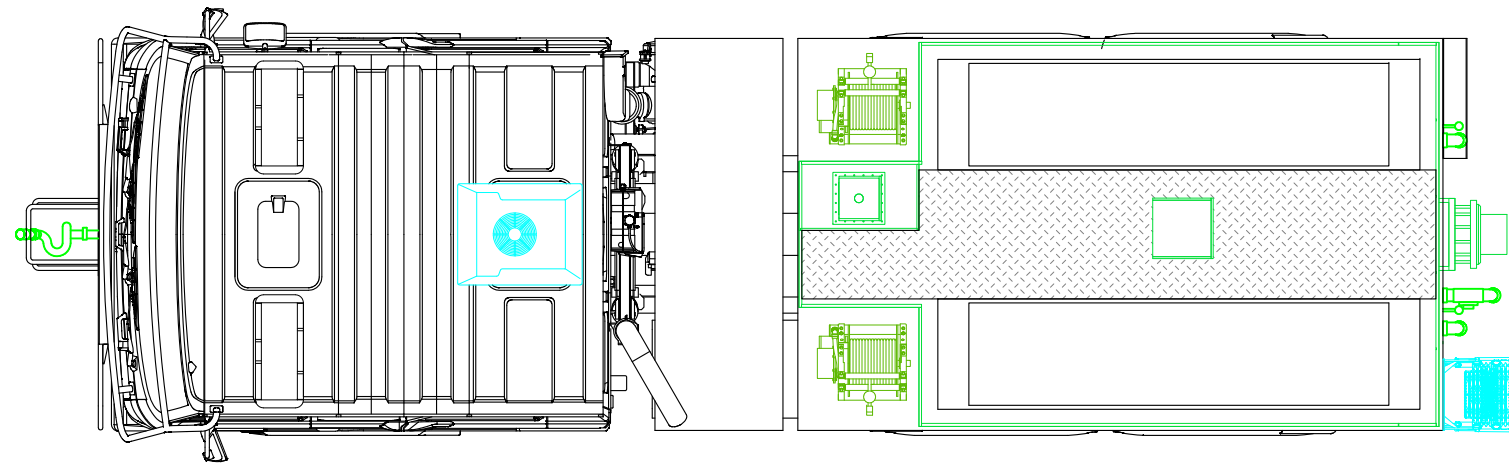
MAUI COUNTY  
FIRE DEPARTMENT

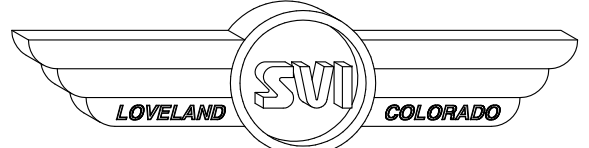
BODY SIZE: 2000/50 GALLON T-TYPE	UNIT TYPE: TYPE OF TRUCK
BODY MATERIAL: -	TRUCK NO: SVI #xxx
CHASSIS TYPE: TATRA	WHEELBASE: SEE DWG
6x6	CAB TO AXLE: SEE DWG
-	OVERALL LENGTH (OAL): SEE DWG
FOUR DOOR	OVERALL WIDTH (OAW): SEE DWG
	OVERALL HEIGHT (OAH): SEE DWG

PRELIMINARY DRAWING - FOR LAYOUT PURPOSES ONLY

REVISIONS			
REV	DESCRIPTION	DATE	BY

NOTE 1: Do not scale drawing. This drawing is for general truck configuration only. All items and dimensions shown are approximate and may vary with final production. The drawing may not provide illustration for all items in the specification. In all situations where the drawing may contradict the specifications, the specifications shall prevail. This drawing and all data herein are provided as confidential materials and shall not be reproduced without written consent of the manufacturer.





**LOVELAND SVI COLORADO**

SVI FIRE & RESCUE TRUCKS  
1511 E. 11th STREET, LOVELAND, CO 80537 PHONE 970-667-5146, FAX 970-667-3343

**MAUI COUNTY  
FIRE DEPARTMENT**

DRAWN BY: HJR	DATE: October 28, 2009	SCALE: 3/32" = 1'-0"
DRAWING NO: MauiCo_HI_Bk_740_Prelim1	SHEET 2 OF 2	