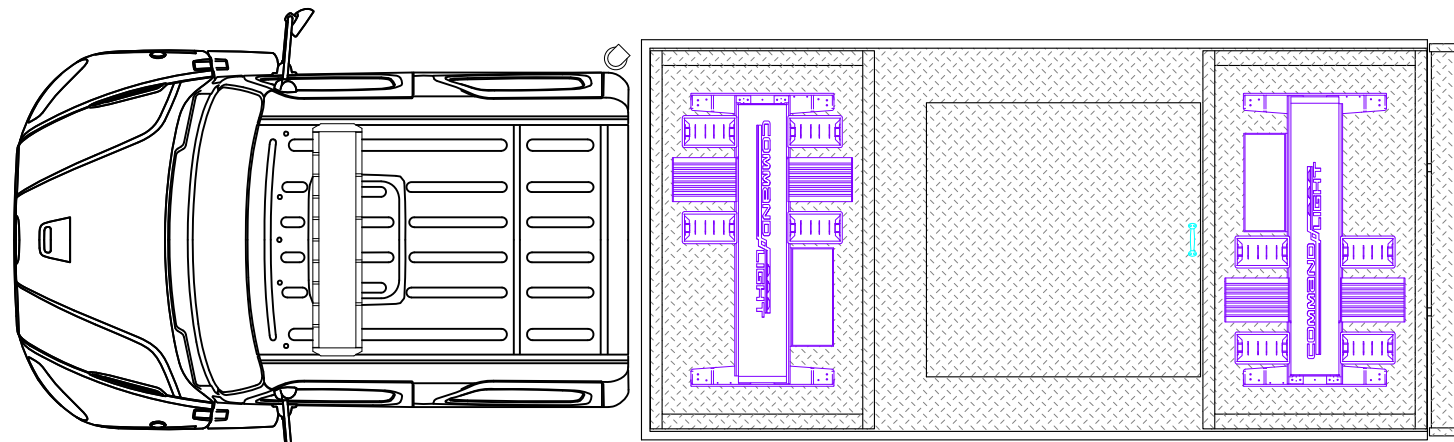


PRELIMINARY DRAWING - FOR LAYOUT PURPOSES ONLY

REVISIONS			
REV	DESCRIPTION	DATE	BY

NOTE 1: Do not scale drawing. This drawing is for general truck configuration only. All items and dimensions shown are approximate and may vary with final production. The drawing may not provide illustration for all items in the specification. In all situations where the drawing may contradict the specifications, the specifications shall prevail. This drawing and all data herein are provided as confidential materials and shall not be reproduced without written consent of the manufacturer.

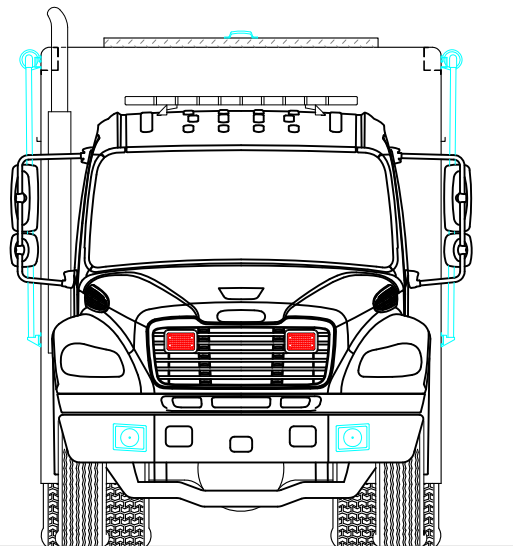
NOTE 2: Chassis frame height will change due to axle characteristics, loading and tire dimensions which will affect the overall height dimension shown. Any overall height restrictions should take this into consideration and allow approximately 2-3 inches of tolerance.



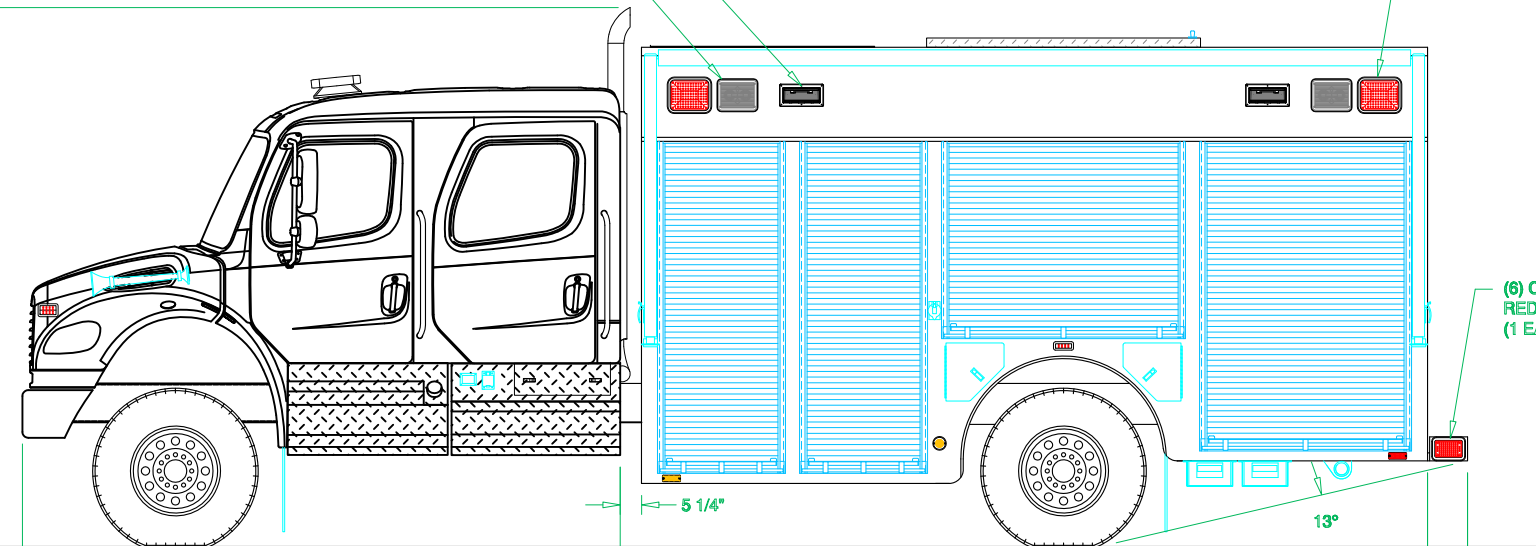
(4) FR FOCUS M-SERIES  
500W/120V SCENE LIGHTS  
(2 EACH SIDE)

(6) WHELEN 810 SERIES  
SCENE LIGHTS  
(2 EACH SIDE, 2 REAR)

(6) CODE 3 MODEL 85 SERIES  
RED LED WARNING LIGHTS  
(2 EACH SIDE, 2 REAR)



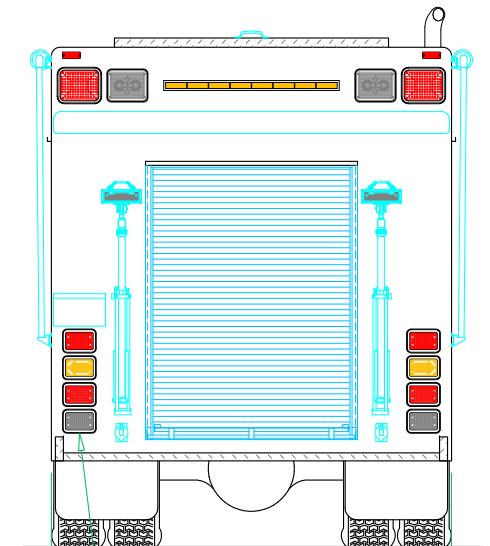
135"  
[11'-3"] OAH



222" WHEELBASE

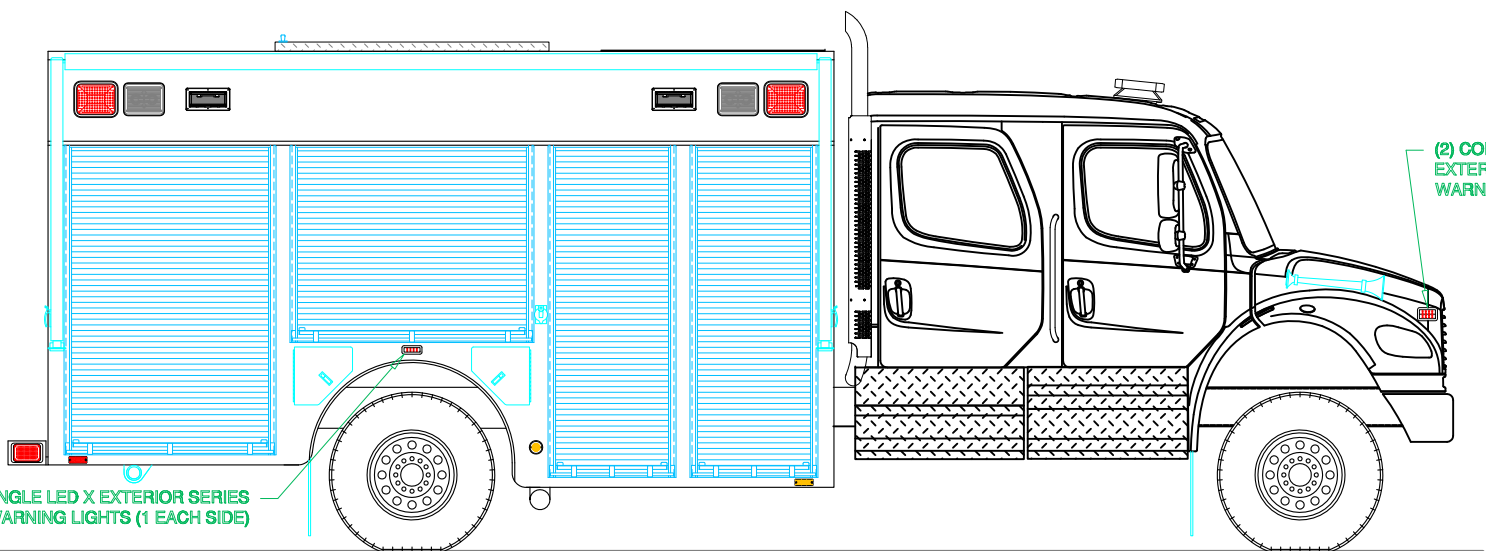
361 1/4"  
[30'-1 1/2"] OAL

(6) CODE 3 MODEL 65 SERIES  
RED LED WARNING LIGHTS  
(1 EACH SIDE, 2 FRONT, 2 REAR)



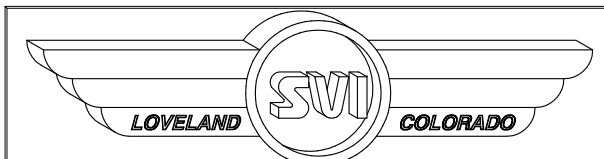
100"  
[8'-4"] OAW

CODE 3 MODEL 65 SERIES  
LED TAIL LIGHTS IN  
INDIVIDUAL BEZELS



(2) CODE 3 SINGLE LED X EXTERIOR SERIES  
RED LED WARNING LIGHTS (1 EACH SIDE)

(2) CODE 3 DUAL STACK LED X  
EXTERIOR SERIES RED LED  
WARNING LIGHTS (1 EACH SIDE)



SVI FIRE & RESCUE TRUCKS  
1511 E. 11th STREET, LOVELAND, CO 80537 PHONE 970-667-5146, FAX 970-667-3343

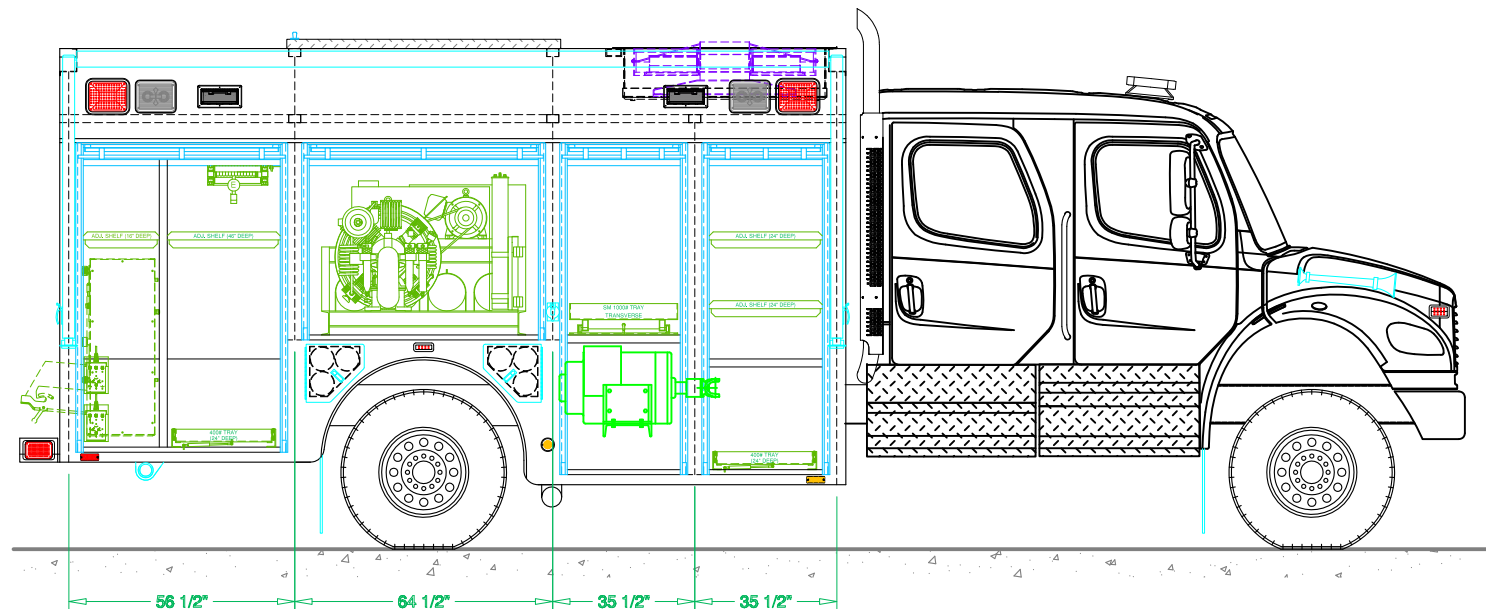
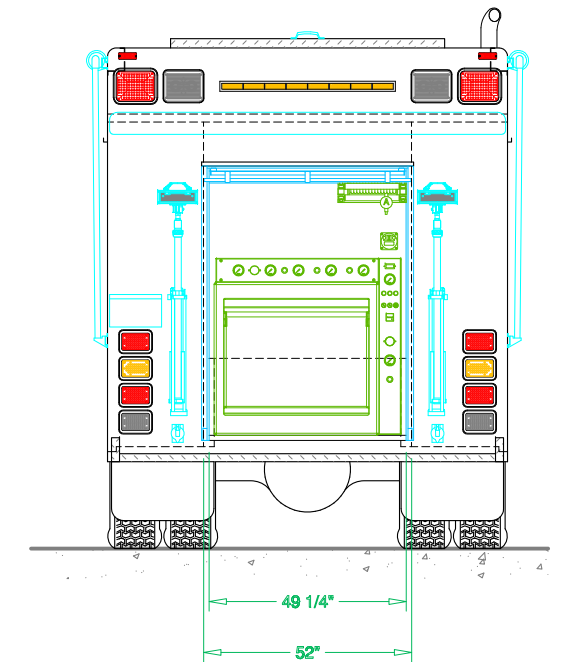
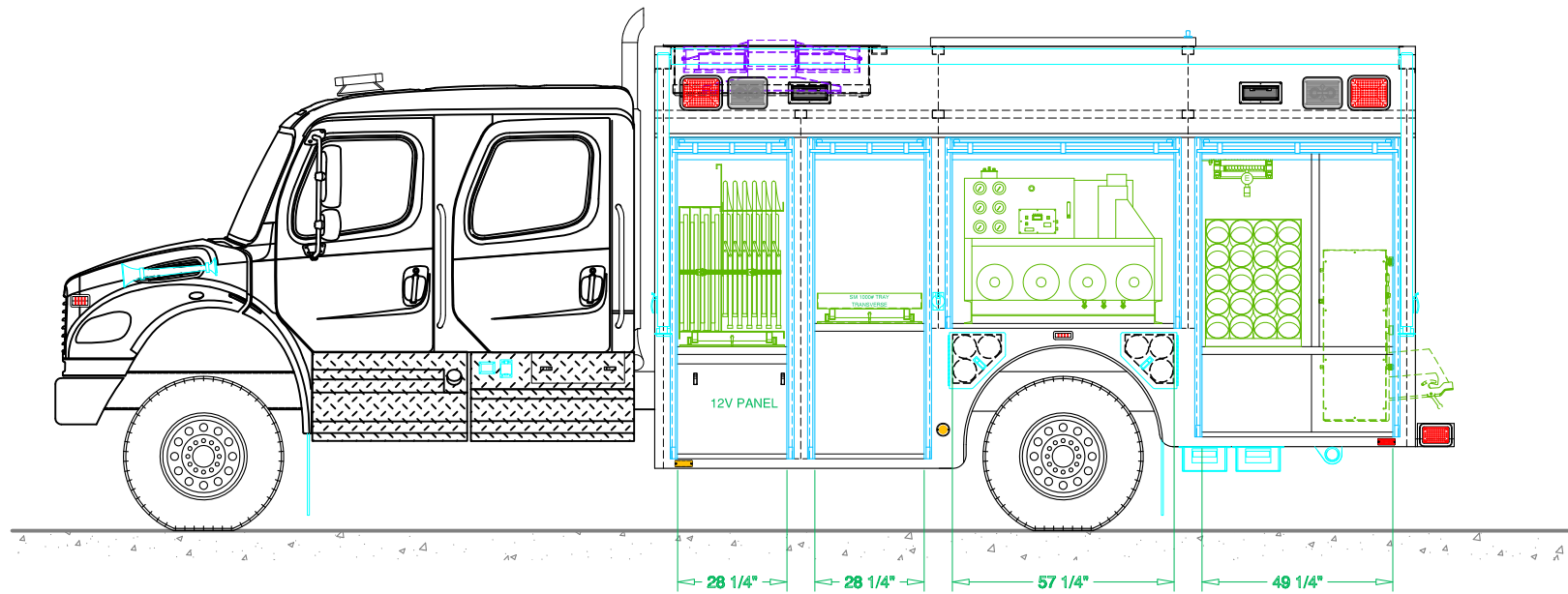
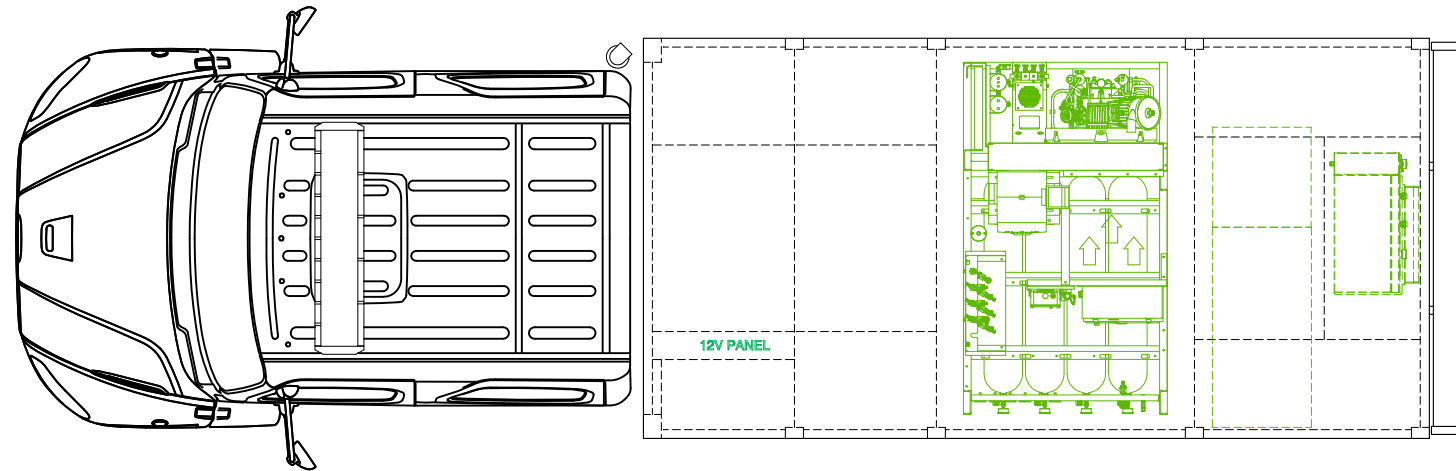
VISTA  
FIRE DEPARTMENT

BODY SIZE: 16' BODY	UNIT TYPE: AIRLIGHT
BODY MATERIAL: 3/16" ALUMINUM	TRUCK NO: SVI #000
CHASSIS TYPE: FREIGHTLINER	WHEELBASE: SEE DWG
M2-106	CAB TO AXLE: SEE DWG
-	OVERALL LENGTH (OAL): SEE DWG
FOUR DOOR	OVERALL WIDTH (OAW): SEE DWG
	OVERALL HEIGHT (OAH): SEE DWG

PRELIMINARY DRAWING - FOR LAYOUT PURPOSES ONLY

REVISIONS			
REV	DESCRIPTION	DATE	BY

NOTE 1: Do not scale drawing. This drawing is for general truck configuration only. All items and dimensions shown are approximate and may vary with final production. The drawing may not provide illustration for all items in the specification. In all situations where the drawing may contradict the specifications, the specifications shall prevail. This drawing and all data herein are provided as confidential materials and shall not be reproduced without written consent of the manufacturer.



**SVI FIRE & RESCUE TRUCKS**  
1511 E. 11th STREET, LOVELAND, CO 80537 PHONE 970-667-5146, FAX 970-667-3343

**VISTA  
FIRE DEPARTMENT**

DRAWN BY: HJR	DATE: Nov. 10, 10	SCALE: 1/4" = 1'-0"
DRAWING NO: Vista_CA_sl_Prelim2_799		SHEET 2 OF 2