

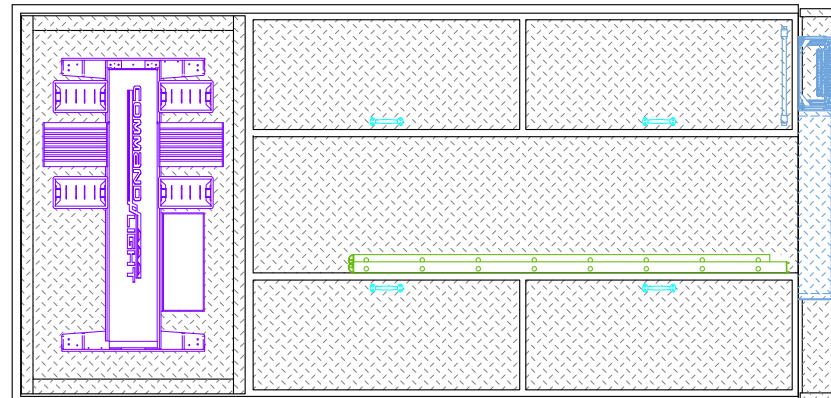
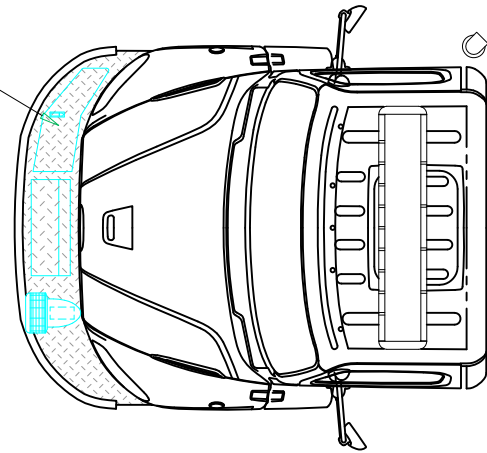
PRELIMINARY DRAWING - FOR LAYOUT PURPOSES ONLY

REVISIONS			
REV	DESCRIPTION	DATE	BY

NOTE 1: Do not scale drawing. This drawing is for general truck configuration only. All items and dimensions shown are approximate and may vary with final production. The drawing may not provide illustration for all items in the specification. In all situations where the drawing may contradict the specifications, the specifications shall prevail. This drawing and all data herein are provided as confidential materials and shall not be reproduced without written consent of the manufacturer.

NOTE 2: Chassis frame height will change due to axle characteristics, loading and tire dimensions which will effect the overall height dimension shown. Any overall height restrictions should take this into consideration and allow approximately 2-3 inches of tolerance.

BUMPER COMPARTMENT FOR STORAGE (25-30' OF 3/8" CHAIN)

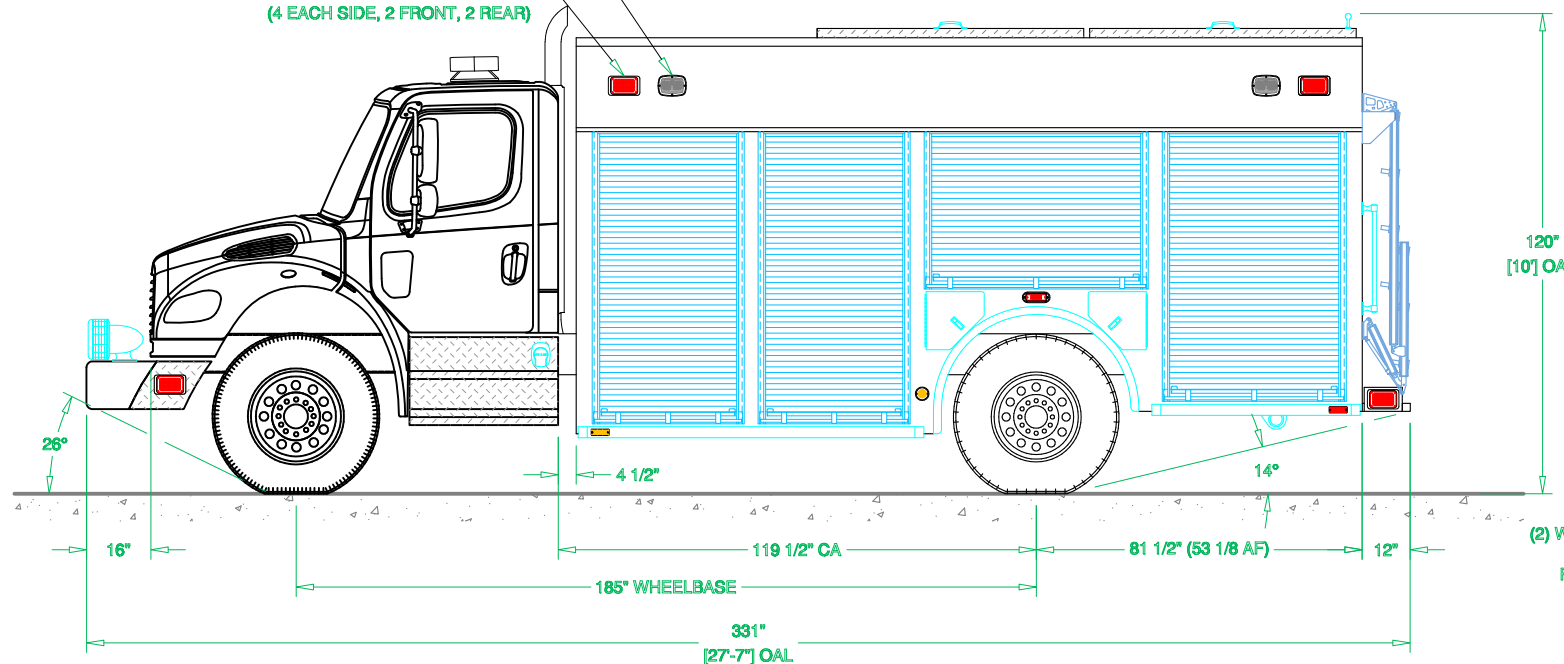
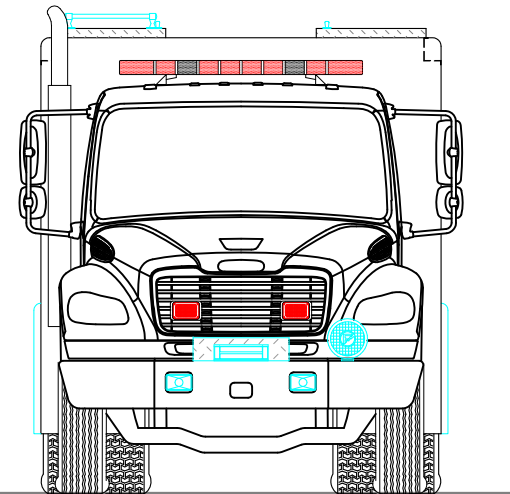


66 3/4"      66 3/4"

196 1/2"  
[16'-4 1/2"]

(6) FEDERAL GHSCENE SCENE LIGHTS (2 EACH SIDE, 2 REAR)

(12) WHELEN 600 SERIES RED LED WARNING LIGHTS (4 EACH SIDE, 2 FRONT, 2 REAR)



120"  
[10'] OAH

26°

16"

4 1/2"

14°

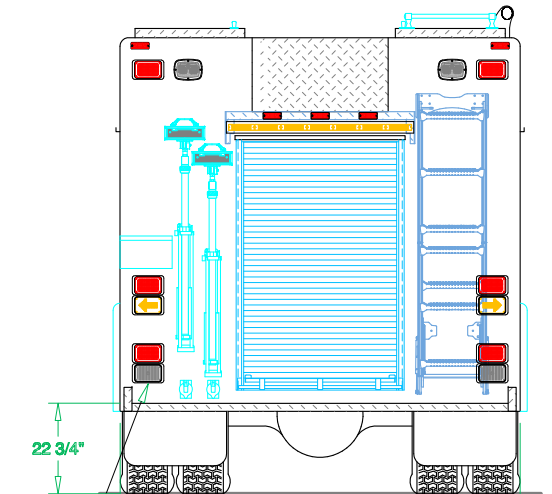
119 1/2" CA

81 1/2" (53 1/8 AF)

185" WHEELBASE

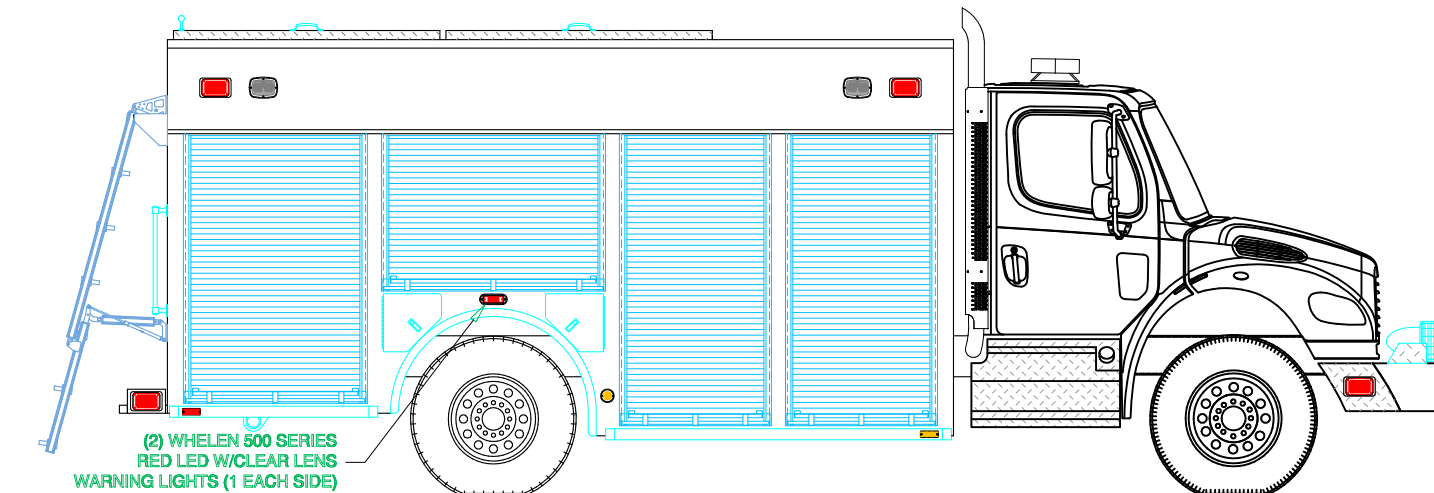
331"  
[27'-7"] OAL

(2) WHELEN 600 SERIES TAIL LIGHTS IN FOUR PLACE BEZEL

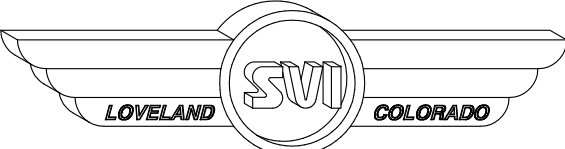


22 3/4"

100"  
[8'-4"]



(2) WHELEN 500 SERIES RED LED W/CLEAR LENS WARNING LIGHTS (1 EACH SIDE)



**LOVELAND SVI COLORADO**

SVI FIRE & RESCUE TRUCKS  
1511 E. 11th STREET, LOVELAND, CO 80537 PHONE 970-667-5146, FAX 970-667-3343

**TEXICO FIRE DEPARTMENT**

BODY SIZE: 16' BODY	UNIT TYPE: MEDIUM RESCUE
BODY MATERIAL: 3/16" ALUMINUM	TRUCK NO: SVI #000
CHASSIS TYPE: FREIGHTLINER	WHEELBASE: SEE DWG
M2	CAB TO AXLE: SEE DWG
-	OVERALL LENGTH (OAL): SEE DWG
-	OVERALL WIDTH (OAW): SEE DWG
TWO DOOR	OVERALL HEIGHT (OAH): SEE DWG

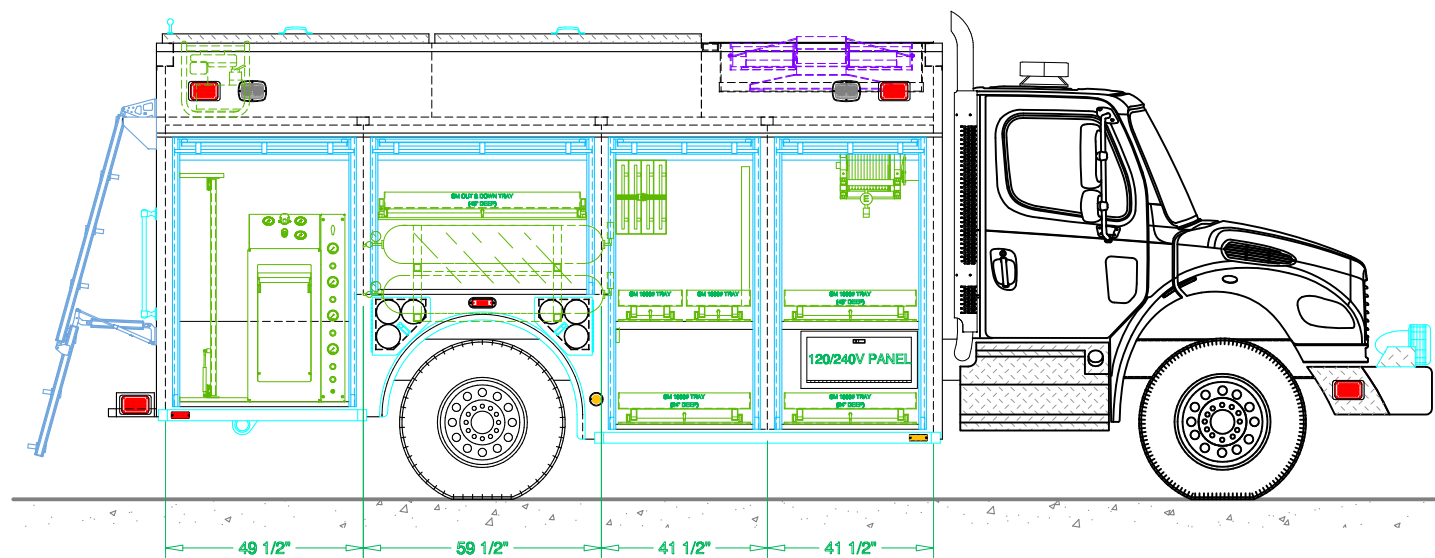
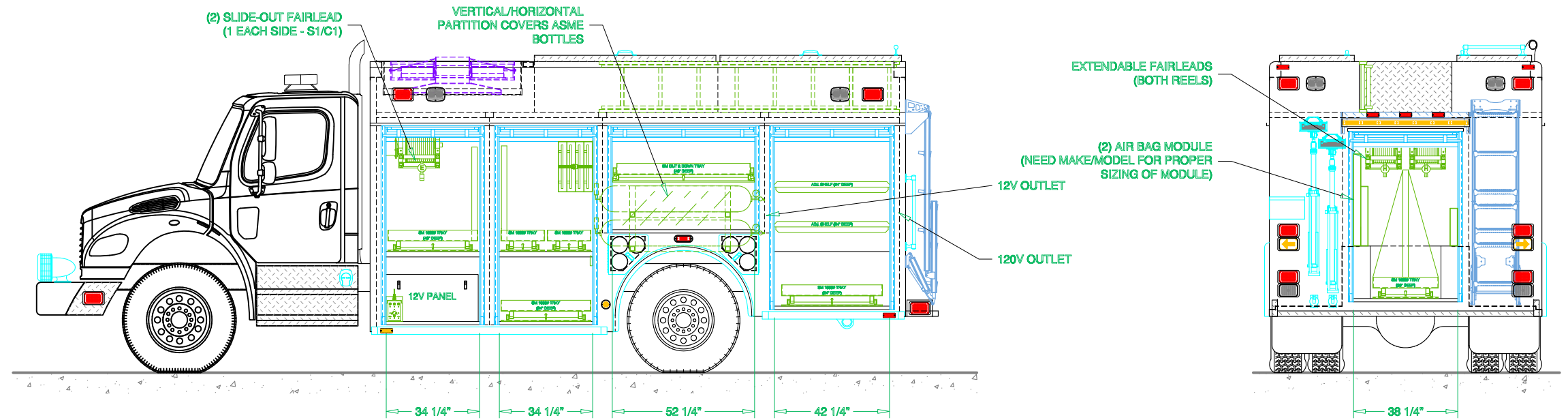
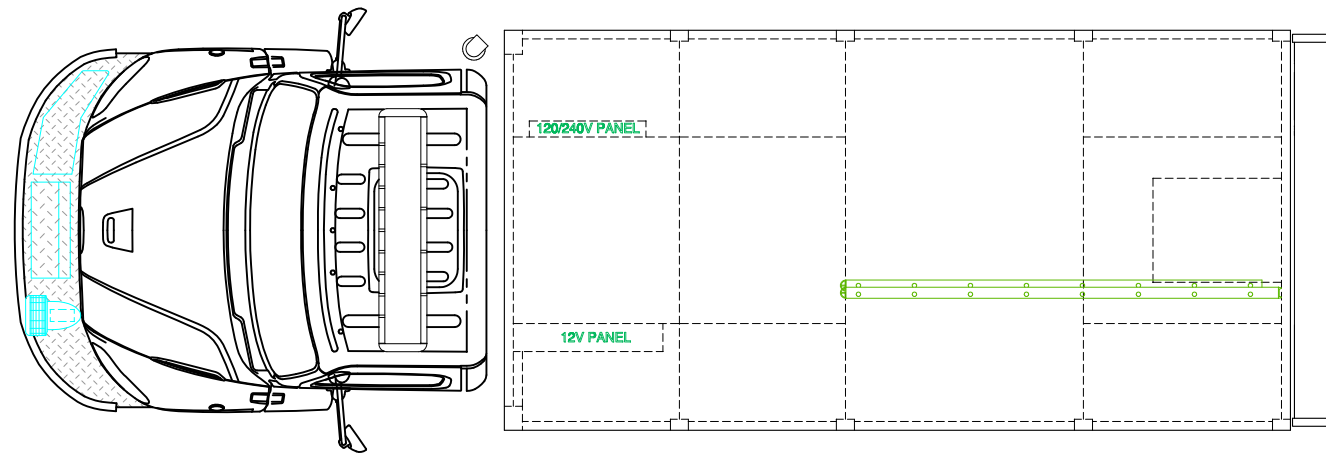
DRAWN BY: HJR      DATE: October 18, 2010      SCALE: 1/4" = 1'-0"

DRAWING NO: Texico\_NM\_mr\_PREGON18      SHEET 1 OF 2

PRELIMINARY DRAWING - FOR LAYOUT PURPOSES ONLY

REVISIONS			
REV	DESCRIPTION	DATE	BY

NOTE 1: Do not scale drawing. This drawing is for general truck configuration only. All items and dimensions shown are approximate and may vary with final production. The drawing may not provide illustration for all items in the specification. In all situations where the drawing may contradict the specifications, the specifications shall prevail. This drawing and all data herein are provided as confidential materials and shall not be reproduced without written consent of the manufacturer.



**SVI FIRE & RESCUE TRUCKS**  
1511 E. 11th STREET, LOVELAND, CO 80537 PHONE 970-667-5146, FAX 970-667-3343

**TEXICO  
FIRE DEPARTMENT**

DRAWN BY: HJR	DATE: October 18, 2010	SCALE: 1/4" = 1'-0"
DRAWING NO: Texico_NM_mr_PRECONS		SHEET 2 OF 2