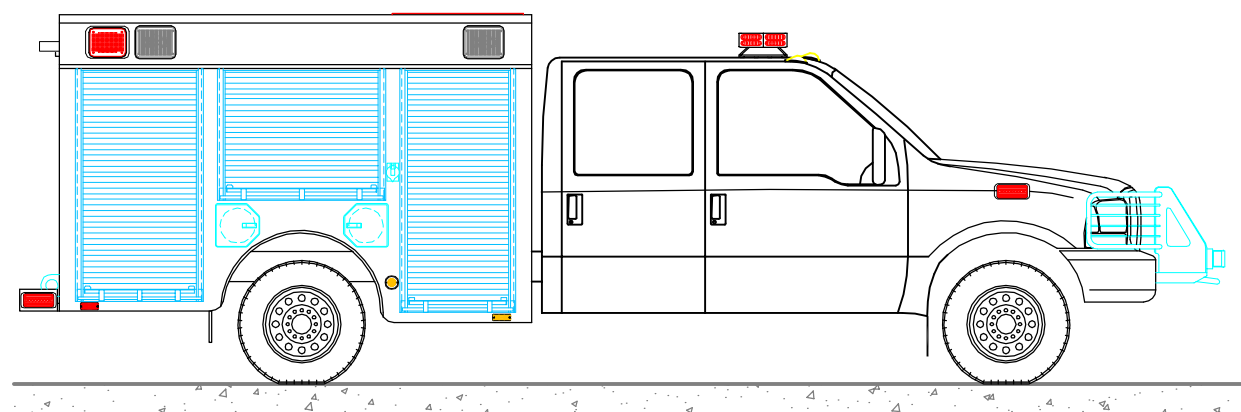
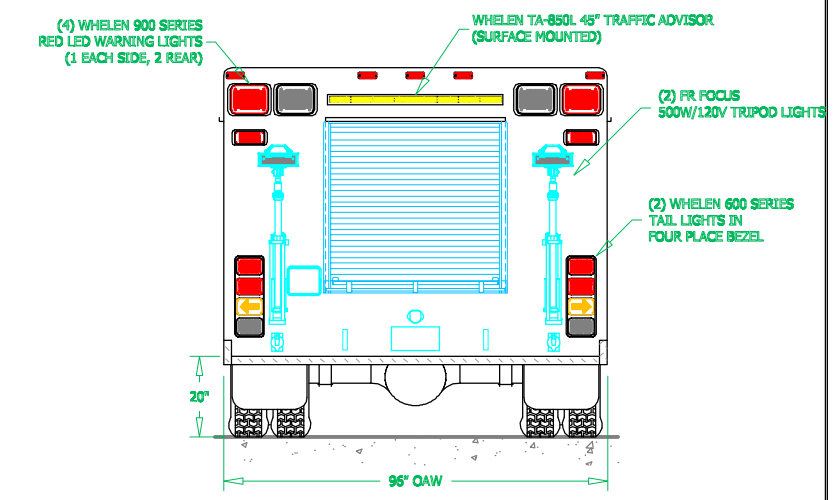
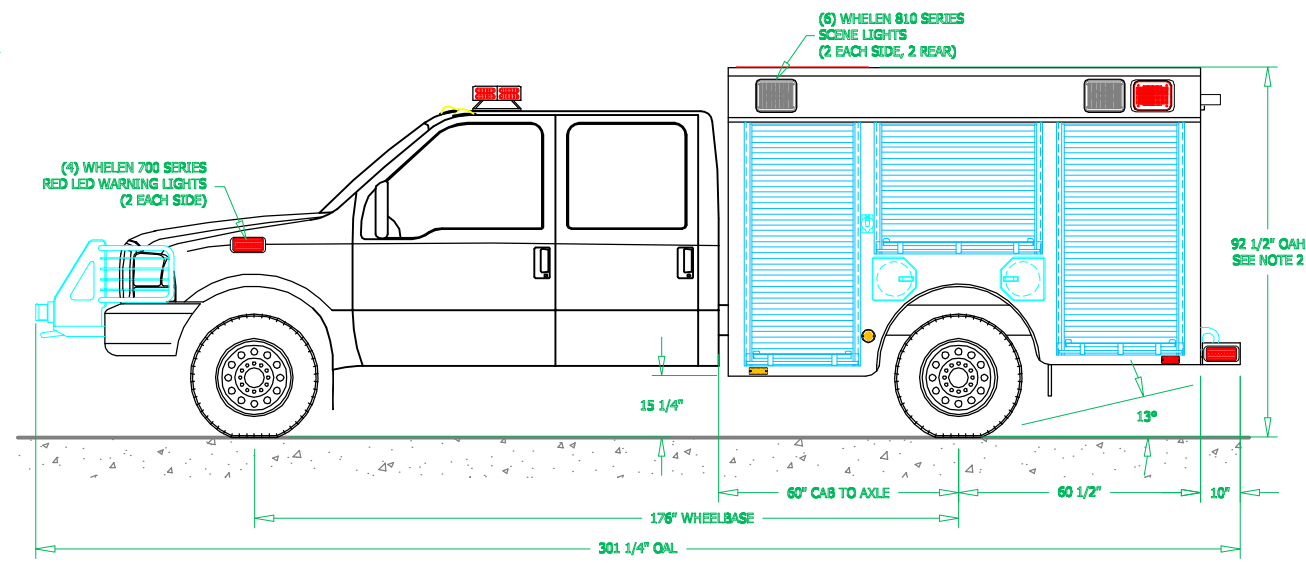
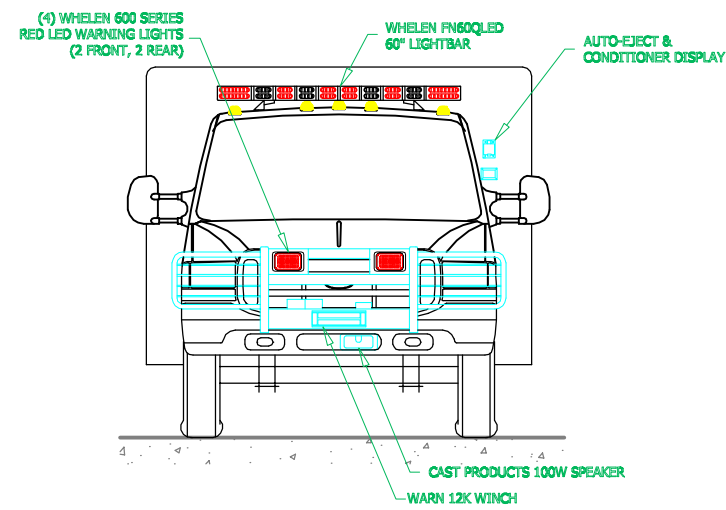
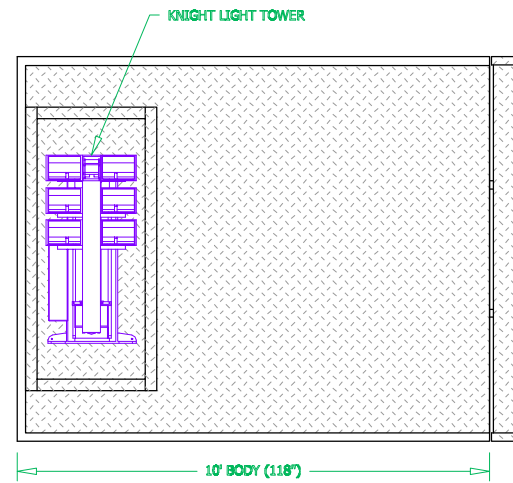


DESIGN DRAWING

REVISIONS			
REV	DESCRIPTION	DATE	BY
A	PRE PRODUCTION CLARIFICATIONS	4/28/06	NMT
B	UPDATES THROUGH CHANGE ORDER #3	9/12/06	NMT

NOTE 1: Do not scale drawing. This drawing is for general truck configuration only. All items and dimensions shown are approximate and may vary with final production. The drawing may not provide illustration for all items in the specification. In all situations where the drawing may contradict the specifications, the specifications shall prevail. This drawing and all data herein are provided as confidential materials and shall not be reproduced without written consent of the manufacturer.

NOTE 2: Chassis frame height will change due to axle characteristics, loading and the dimensions which will effect the overall height dimension shown. Any overall height restrictions should take this into consideration and allow approximately 2-3 inches of tolerance.



SVI FIRE & RESCUE TRUCKS
1511 E. 11th STREET, LOVELAND, CO 80537 PHONE 970-667-5146, FAX 970-667-3343

BENNETT VALLEY FIRE DEPARTMENT

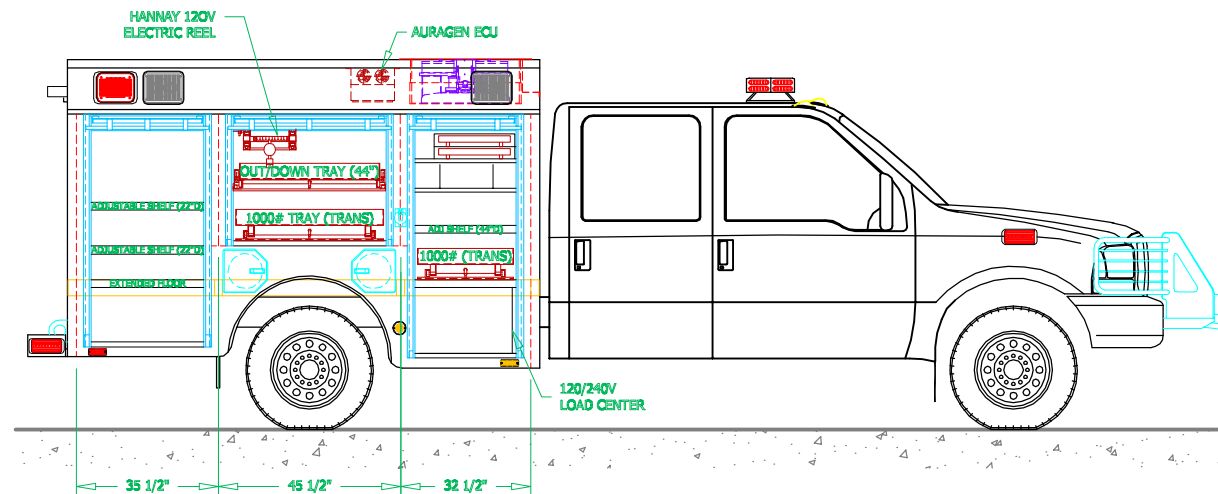
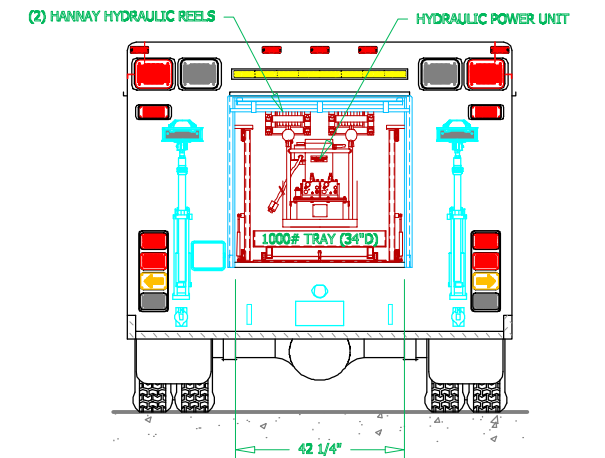
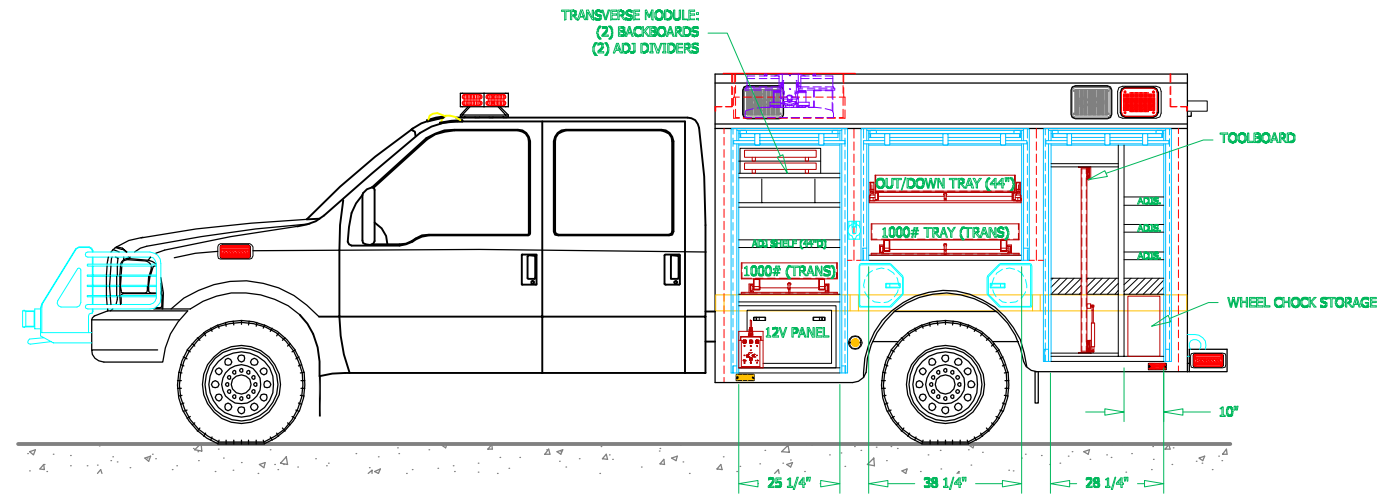
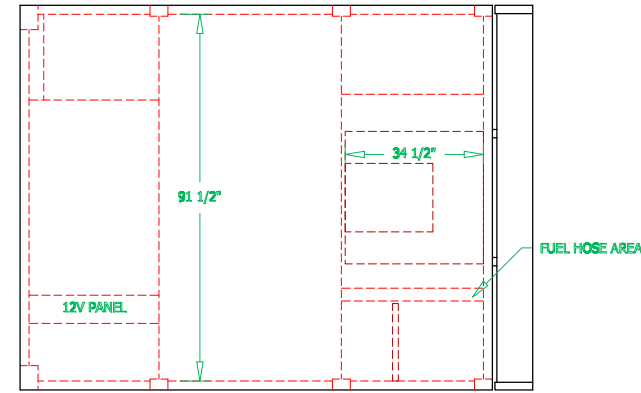
BODY SIZE:	10' BODY	UNIT TYPE:	LIGHT RESCUE
BODY MATERIAL:	1/8" ALUMINUM	TRUCK NO:	581
CHASSIS TYPE:	FORD F 550 4 DOOR 4 x 2	WHEELBASE:	176"
		CAB TO AXLE:	60"
		OVERALL LENGTH (OAL):	301 1/4"
		OVERALL WIDTH (OAW):	96"
		OVERALL HEIGHT (OAH):	92 1/2"


DRAWN BY:	NMT	DATE:	September 12, 2006	SCALE:	1/4" = 1' - 0"
DRAWING NO:	BENNETTVALLEY_CA_LR_10_REV_B.dwg			SHEET	1 OF 2

DESIGN DRAWING

REVISIONS			
REV	DESCRIPTION	DATE	BY
A	PRE PRODUCTION CLARIFICATIONS	4/28/06	NMT
B	UPDATES THROUGH CHANGE ORDER #3	9/12/06	NMT

NOTE 1: Do not scale drawing. This drawing is for general truck configuration only. All items and dimensions shown are approximate and may vary with final production. The drawing may not provide illustration for all items in the specification. In all situations where the drawing may contradict the specifications, the specifications shall prevail. This drawing and all data herein are provided as confidential materials and shall not be reproduced without written consent of the manufacturer.





LOVELAND SVI COLORADO

SVI FIRE & RESCUE TRUCKS
1511 E. 11th STREET, LOVELAND, CO 80537 PHONE 970-667-5146, FAX 970-667-3343

**BENNETT VALLEY
FIRE DEPARTMENT**

DRAWN BY: NMT	DATE: September 12, 2006	SCALE: 1/4" = 1' - 0"
DRAWING NO: BENNETTVALLEY_CA_LR_10_REV_B.dwg		SHEET 2 OF 2