



SVI Truck# 1003-Fifth District Fire Department

Chassis

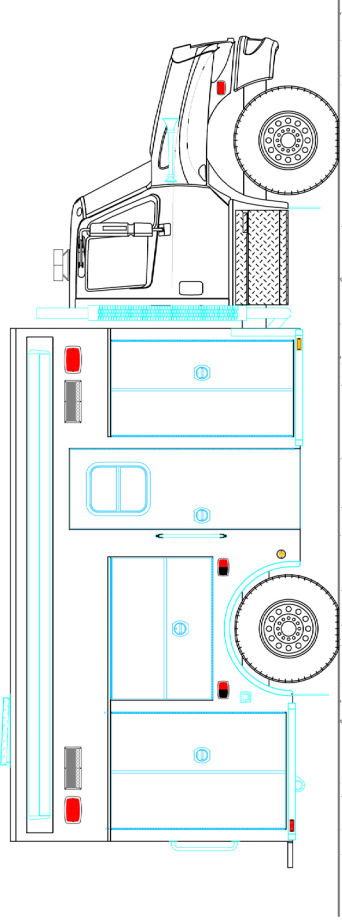
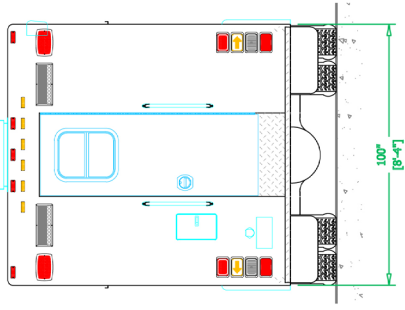
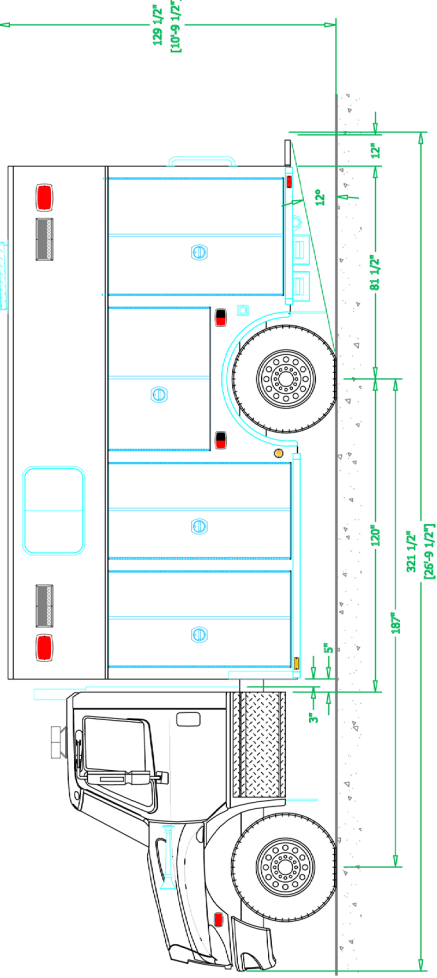
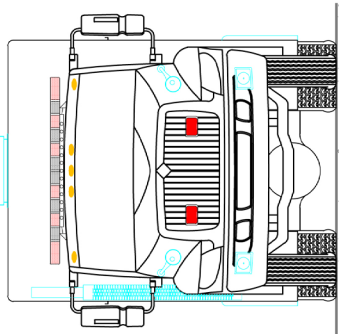
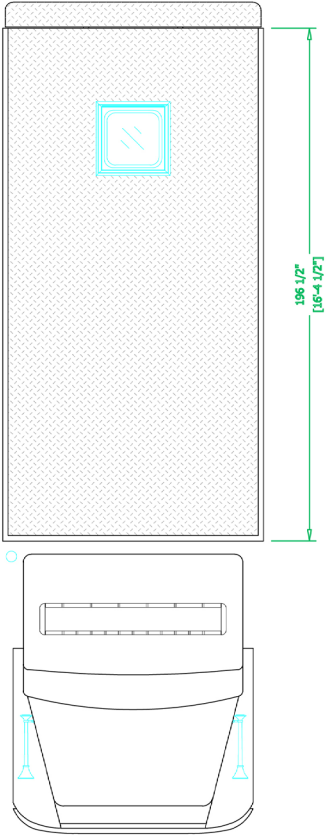
Cab: International 4400
Engine: Cummins ISL 330 HP
Transmission: Allison EVS 3000
Wheelbase: 187"

Body

Material: 3/16" Aluminum
Body Length: 16' 4 1/2"
Overall Height: 10' 9 1/2"
Overall Length: 26' 9 1/2"

Features

Whelen Warning Light Package
OnScene Solutions Cargo Slides
OnScene Solutions LED Compartment Lights
Flush fitting hinged compartment doors
Rotating SCBA Storage
Carefree Roll-out Awning



See more at svitrucks.com