



Summit County Type III Wildland Engine #1043

Chassis

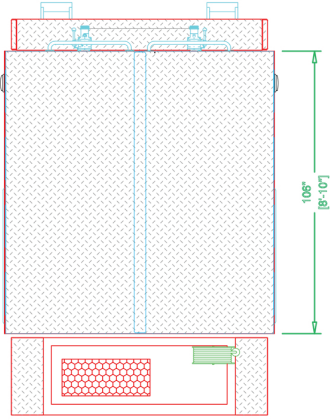
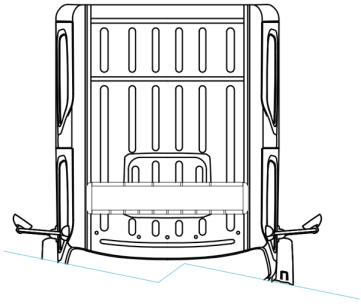
Cab: Freightliner 108SD 4x4
Engine: Cummins L9, 380EV HP
Transmission: Allison 3000 EVS
Wheelbase: 174"

Body

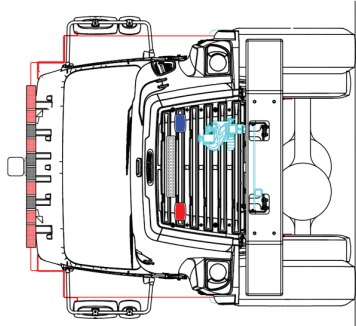
Material: Aluminum
Body Length: 8' 10"
Overall Height: 10' 10"
Overall Length: 27' 4"

Features

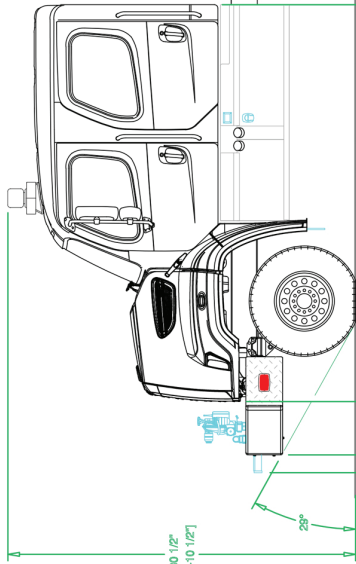
Darley 1-½ AGE Diesel Auxiliary Pump
Hale MBP Single-Stage 750 GPM Pump
Chelsea "Hot-Shift" Transmission PTO
TFT Remote-Control Nozzle
FoamPro Foam Proportioning System
500-Gal. Water Tank
20-Gal. Foam Cell
OnScene Solutions LED Compartment Lights



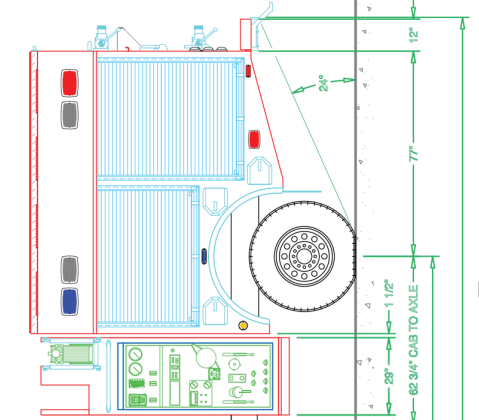
106" [8-10']



130 1/2" [10-10 1/2']



174" WHEELBASE
328" [27-4'] OAL



77" [6-6 1/2']

1 1/2"

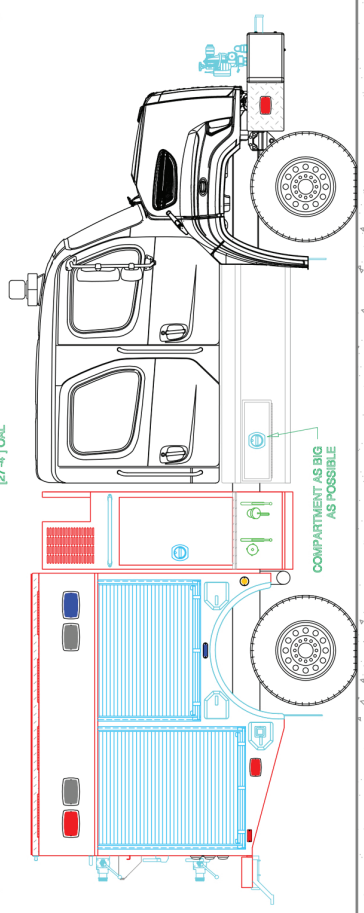
25"

82 3/4" CAB TO AXLE

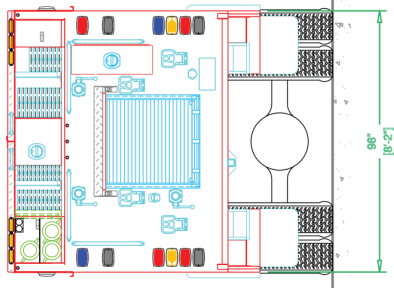
3 1/4"

24°

12"



COMPARTMENT AS BIG AS POSSIBLE



88" [7-2']



See more at svitrucks.com