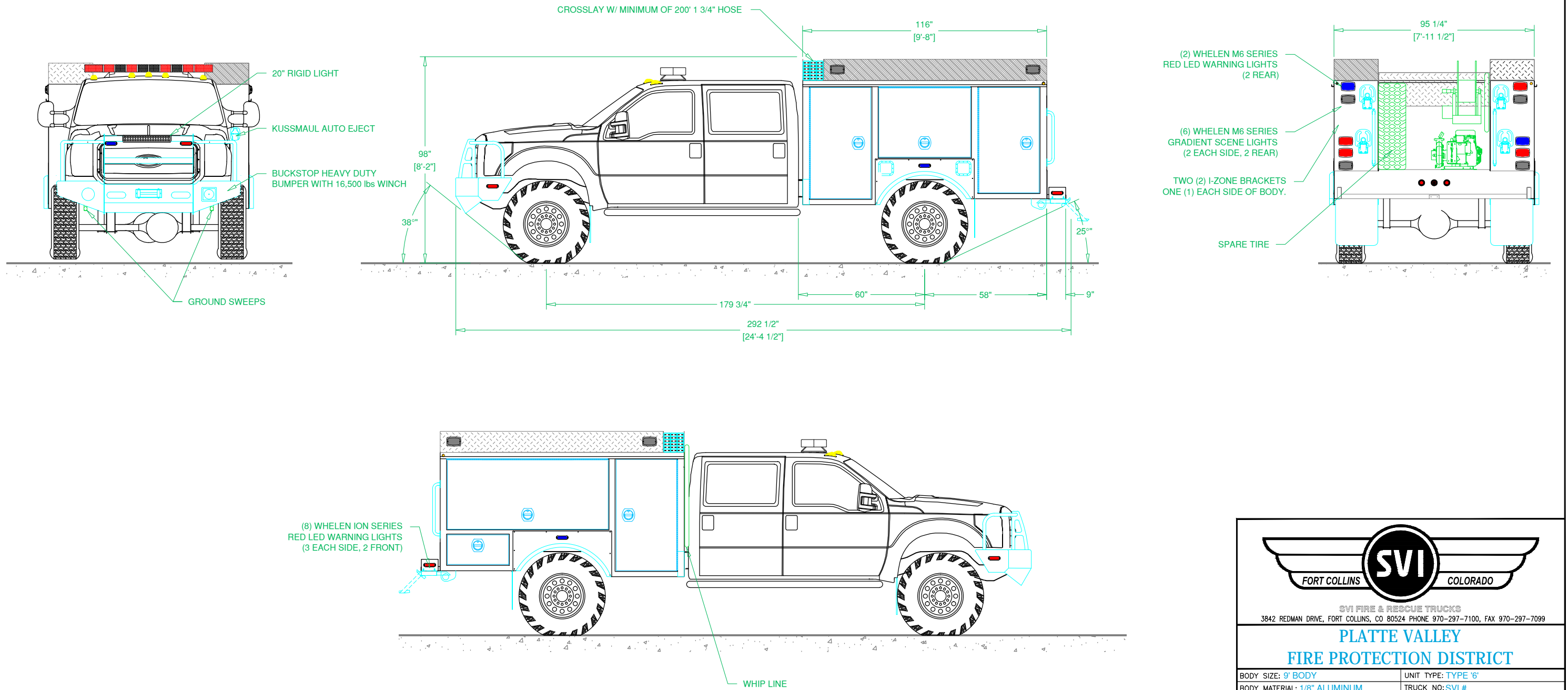


BID DRAWING - FOR LAYOUT PURPOSES ONLY

REVISIONS			
REV	DESCRIPTION	DATE	BY

NOTE 1: Do not scale drawing. This drawing is for general truck configuration only. All items and dimensions shown are approximate and may vary with final production. The drawing may not provide illustration for all items in the specification. In all situations where the drawing may contradict the specifications, the specifications shall prevail. This drawing and all data herein are provided as confidential materials and shall not be reproduced without written consent of the manufacturer.

NOTE 2: Chassis frame height will change due to axle characteristics, loading and tire dimensions which will effect the overall height dimension shown. Any overall height restrictions should take this into consideration and allow approximately 2-3 inches of tolerance.



SVI
FORT COLLINS COLORADO

SVI FIRE & RESCUE TRUCKS
3842 REDMAN DRIVE, FORT COLLINS, CO 80524 PHONE 970-297-7100, FAX 970-297-7099

**PLATTE VALLEY
FIRE PROTECTION DISTRICT**

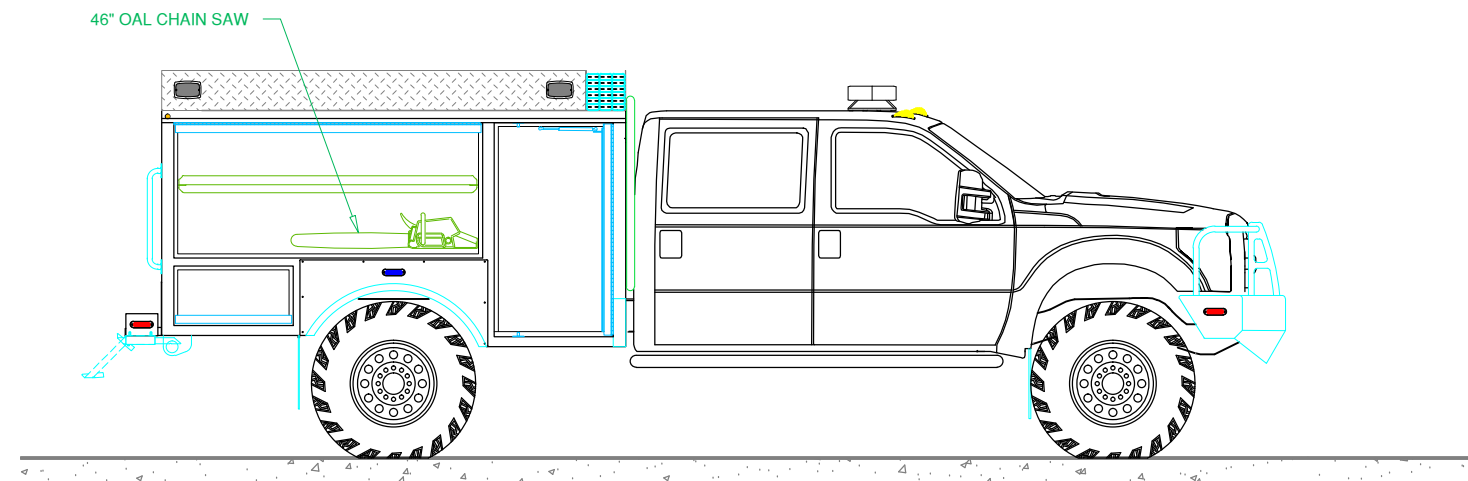
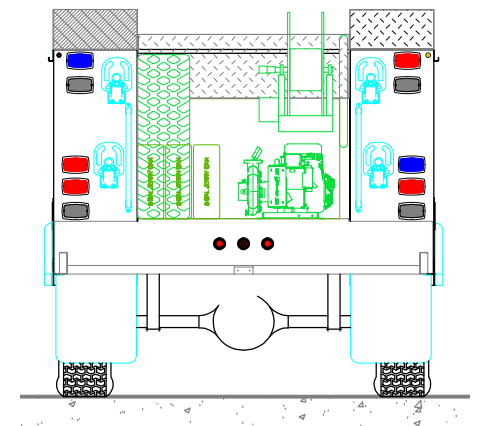
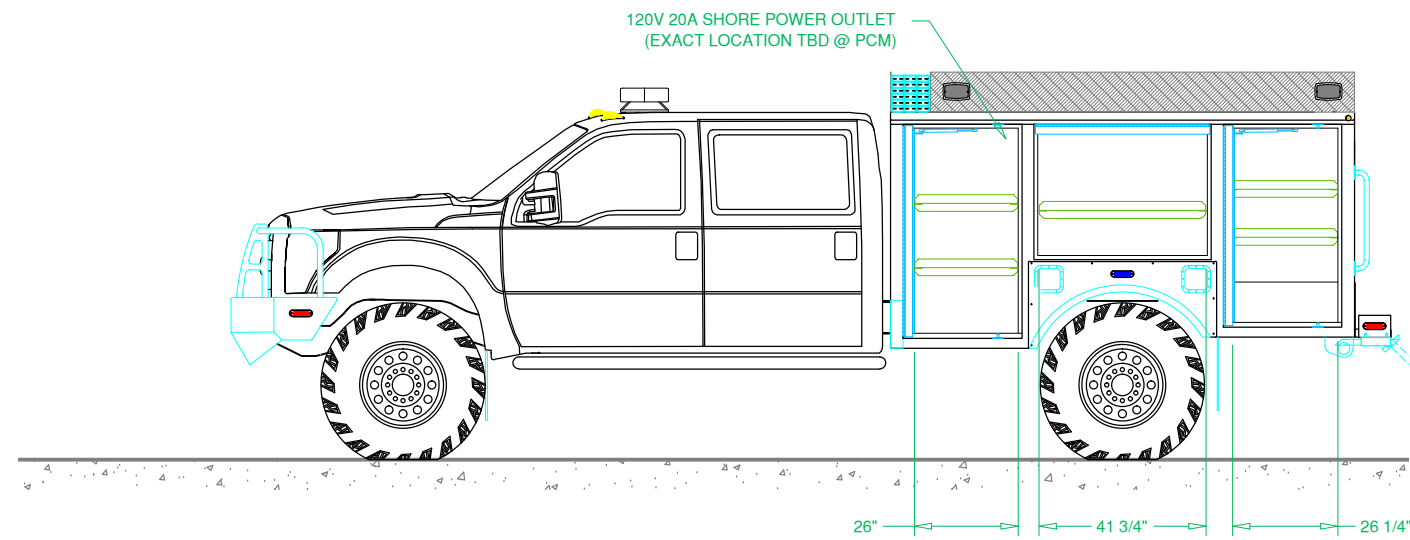
BODY SIZE: 9' BODY	UNIT TYPE: TYPE '6'
BODY MATERIAL: 1/8" ALUMINUM	TRUCK NO: SVI #
CHASSIS TYPE: FORD	WHEELBASE: 179.9"
F550	CAB TO AXLE: 60"
-	OVERALL LENGTH (OAL): 282.5"
-	OVERALL WIDTH (OAW): 95.25"
CREWCAB	OVERALL HEIGHT (OAH): 98.0"


DRAWN BY: SCG DATE: August 16, 2019 SCALE: 1/4" = 1'-0"
DRAWING NO: PlatteValley_CO_T6_PreCon2 SHEET 1 OF 2

BID DRAWING - FOR LAYOUT PURPOSES ONLY

REVISIONS			
REV	DESCRIPTION	DATE	BY

NOTE 1: Do not scale drawing. This drawing is for general truck configuration only. All items and dimensions shown are approximate and may vary with final production. The drawing may not provide illustration for all items in the specification. In all situations where the drawing may contradict the specifications, the specifications shall prevail. This drawing and all data herein are provided as confidential materials and shall not be reproduced without written consent of the manufacturer.





SVI FIRE & RESCUE TRUCKS
3842 REDMAN DRIVE, FORT COLLINS, CO 80524 PHONE 970-297-7100, FAX 970-297-7099

**PLATTE VALLEY
FIRE PROTECTION DISTRICT**

DRAWN BY: SCG	DATE: August 16, 2019	SCALE: 1/4" = 1'-0"
DRAWING NO: PlatteValley_CO_T6_PreCon2		SHEET 2 OF 2