



Otis, NM Medium Rescue #1147

Chassis

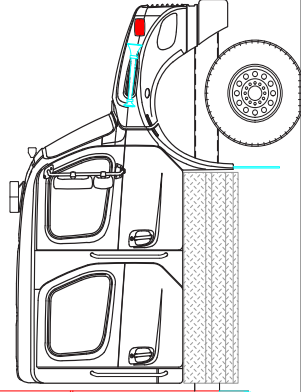
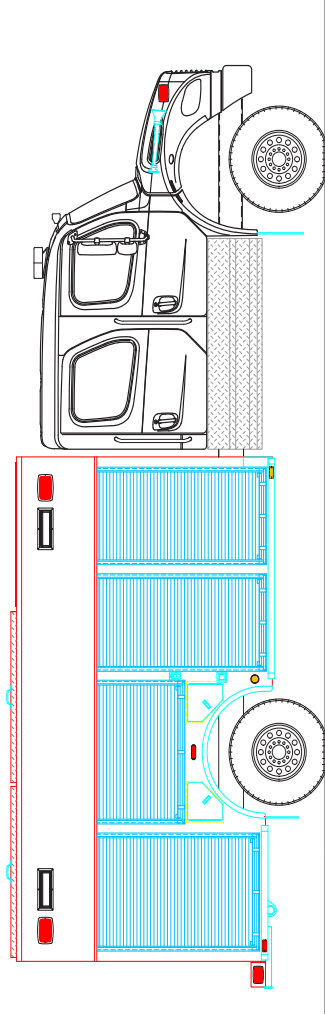
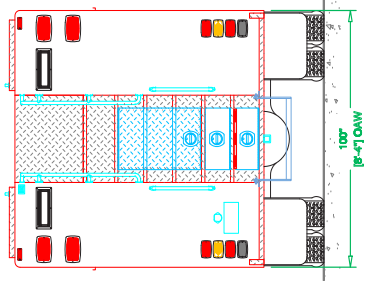
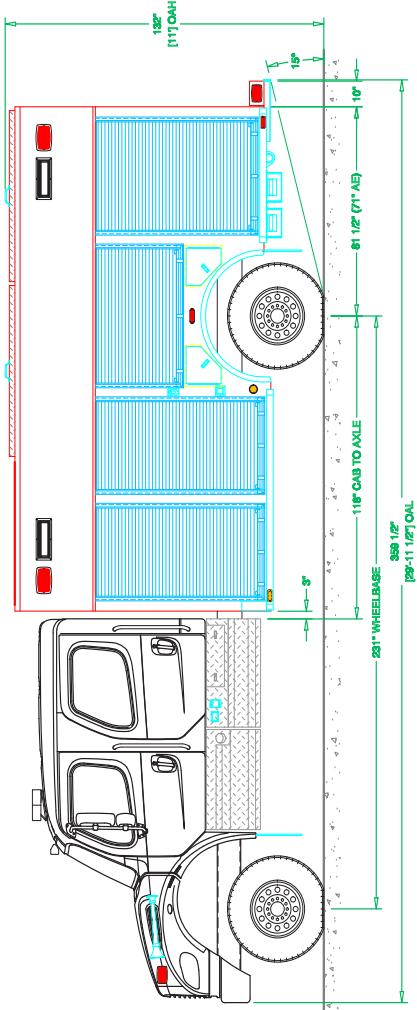
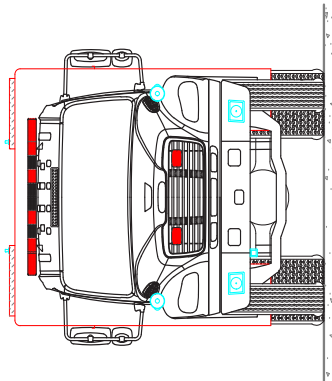
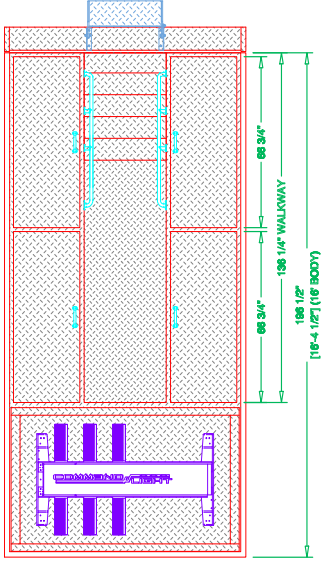
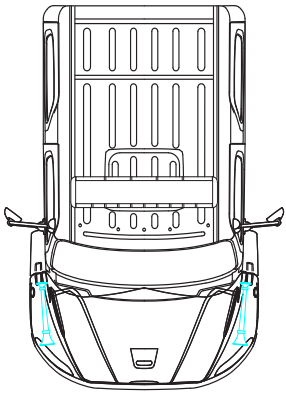
Cab: Freightliner M2 106 4-Door
Engine: Cummins L9 350 EV
Transmission: Allison 3000 EVS 5 SPD
Wheelbase: 230"

Body

Material: Aluminum
Body Length: 16'
Overall Height: 10'
Overall Length: 31' - 5"

Features

(2) Command Light Knight Series Light Towers
(4) Zico 1000 SCBA Air Pack Brackets
Hannay Electric Cable Reel
(2) Hannay Hydraulic Hose Reels
Warn Portable Winch
12-Volt Multiplex Control Center
Walkway/Roof Compartment Storage
Crew Area In-Cab Storage Compartment
SlideMaster Structural-Steel Slideout Trays
OnScene Solutions LED Compartment Lighting



See more at svitrucks.com