



## Santa Fe Type III Wildland Engine #1052

### Chassis

Cab: Freightliner 108SD 4x4  
Engine: Cummins L9, 380EV HP  
Transmission: Allison 3000 EVS  
Wheelbase: 175"

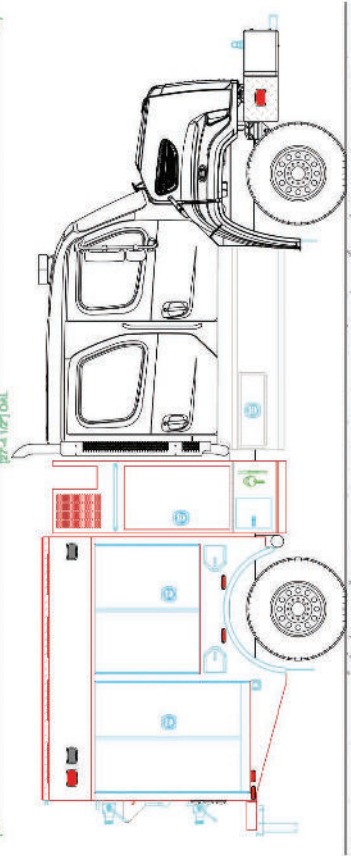
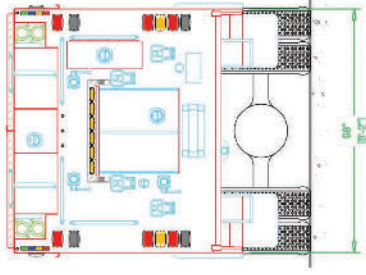
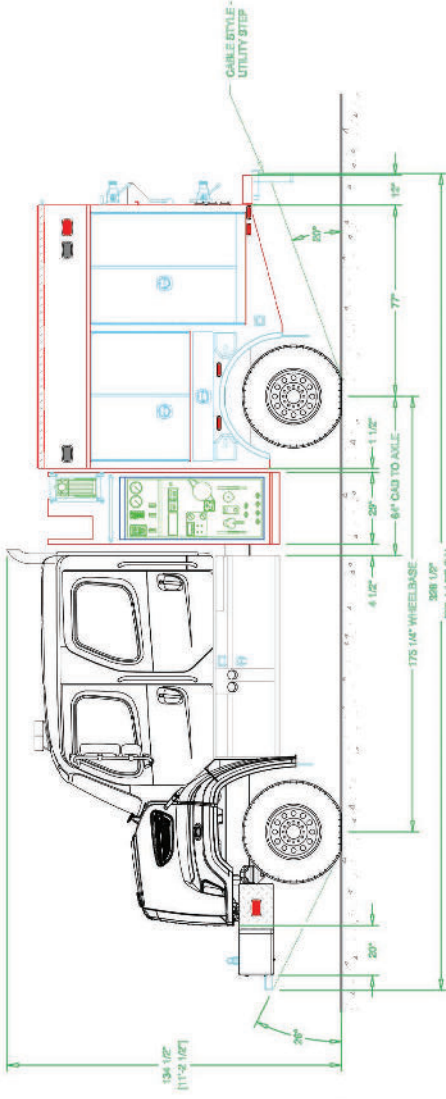
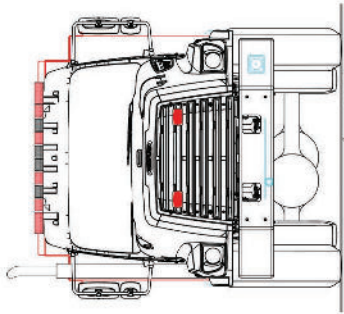
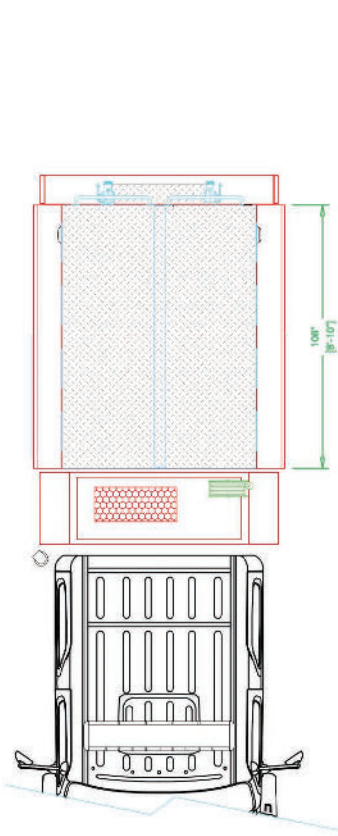
### Body

Material: Aluminum  
Body Length: 8' 10"  
Overall Height: 11' 2"  
Overall Length: 27' 4"

### Features

Waterous CPK 500 GPM Two-Stage Fire Pump  
FoamPro 1600 Foam System  
Chelsea "Hot-Shift" Transmission PTO  
500-Gal. Water Tank  
20-Gal. Foam Cell  
OnScene Solutions LED Compartment Lights





See more at [svitrucks.com](http://svitrucks.com)