



Summit County Type III Wildland Engine #1043

Chassis

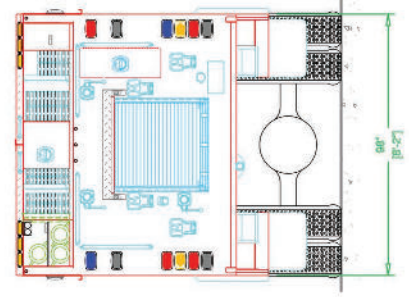
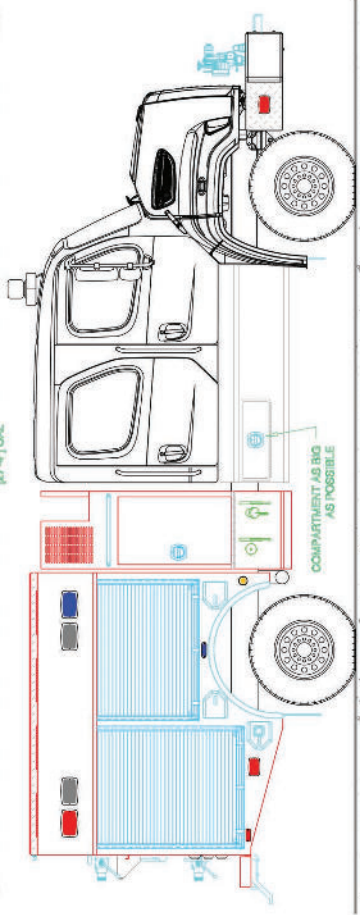
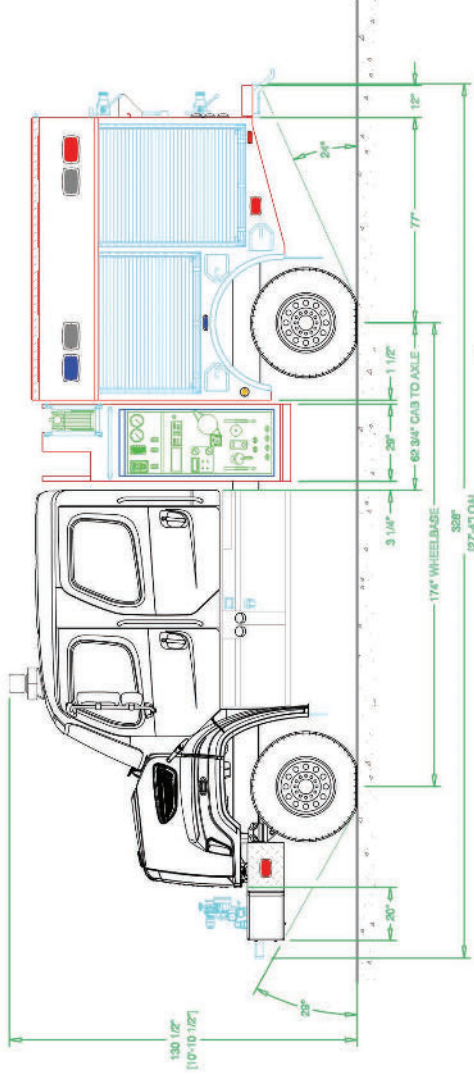
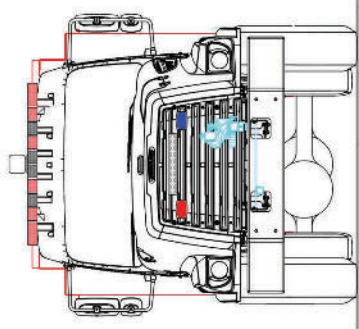
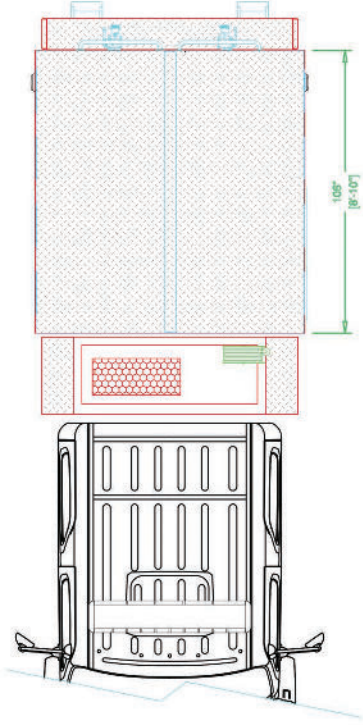
Cab: Freightliner 108SD 4x4
Engine: Cummins L9, 380EV HP
Transmission: Allison 3000 EVS
Wheelbase: 174"

Body

Material: Aluminum
Body Length: 8' 10"
Overall Height: 10' 10"
Overall Length: 27' 4"

Features

Darley 1-½ AGE Diesel Auxiliary Pump
Hale MBP Single-Stage 750 GPM Pump
Chelsea "Hot-Shift" Transmission PTO
TFT Remote-Control Nozzle
FoamPro Foam Proportioning System
500-Gal. Water Tank
20-Gal. Foam Cell
OnScene Solutions LED Compartment Lights



See more at svitrucks.com