



## **Loveland Fire Rescue Authority Rescue Pumper #1158**

### **Chassis**

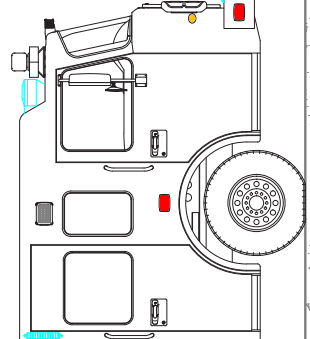
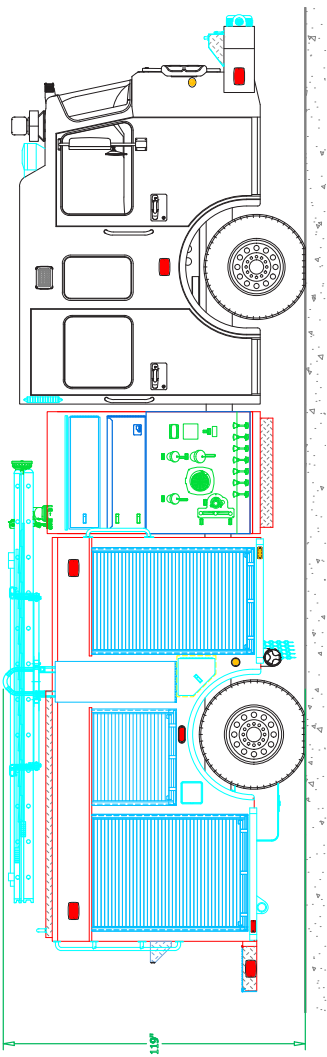
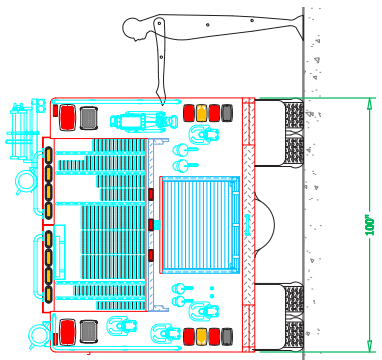
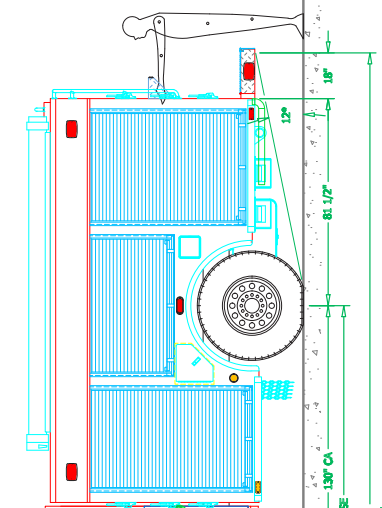
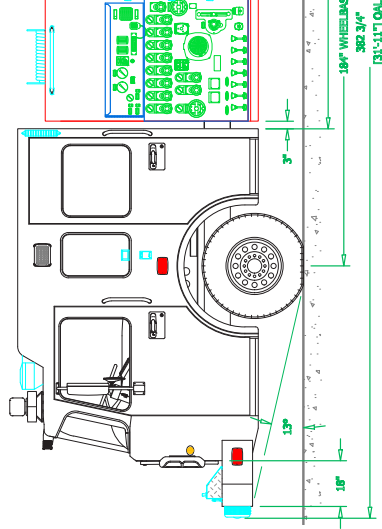
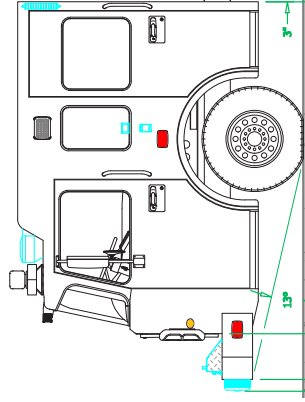
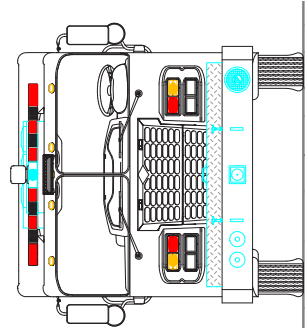
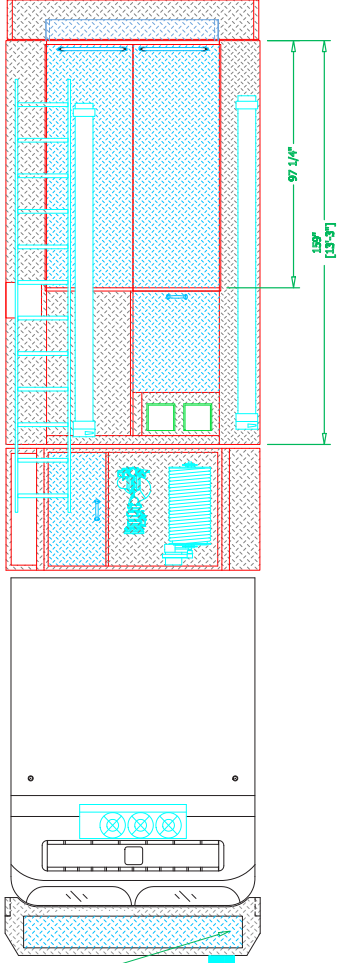
Cab: Spartan Gladiator MFD, 10" RR  
Engine: Cummins L9, 450 HP  
Transmission: Allison EVS 3000  
Wheelbase: 184"

### **Body**

Material: Aluminum  
Body Length: 12'  
Overall Height: 9' - 11"  
Overall Length: 31' - 11"

### **Features**

Waterous CMUC20 Mid-Ship Pump  
750-Gal. Poly Water Tank  
FoamPro 2001 Class A Foam System  
Akron Honda EU2000i 2,000-Watt Inverter Generator  
Ziamatic 12V DC Horizontal Ladder Access System  
Akron Brass 8800 Series Gen II Discharge Valves  
3" Deck Gun with Akron Apollo Lift-Off Deck Monitor  
SmartWitness CP4 Road and Rear Recording Camera  
Whelen Wide-Angle ION Traffic Advisor System  
OnScene Solutions Talon Helmet Storage Brackets



See more at [svitrucks.com](http://svitrucks.com)