



SVI Truck# 1024-Loveland Fire Rescue Authority

Chassis

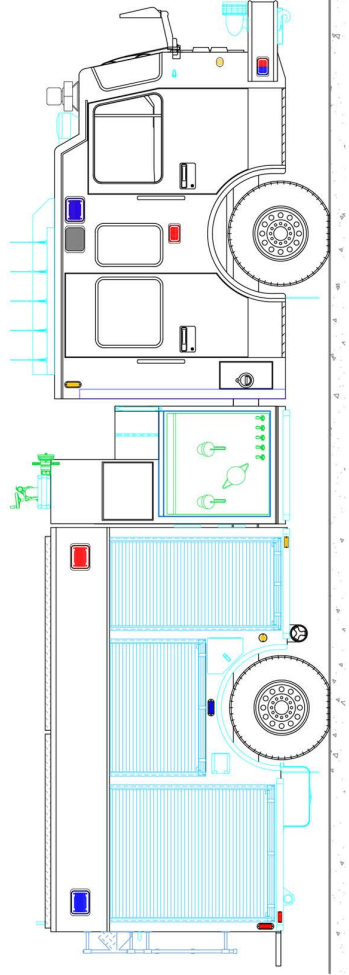
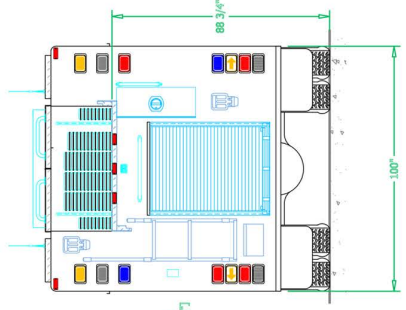
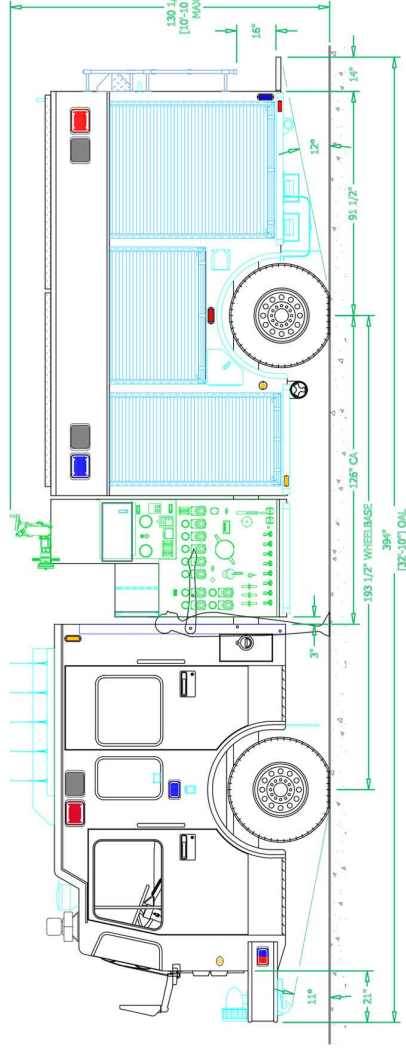
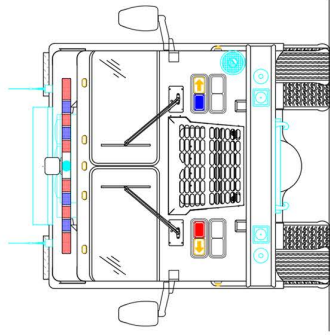
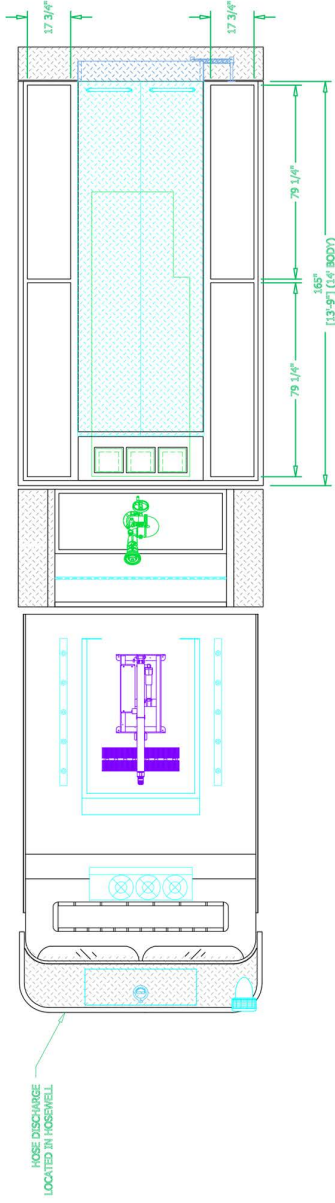
Cab: Spartan Gladiator LFD w/ 10" RR
Engine: Cummins L9, 450HP
Transmission: Allison EVS 3000
Wheelbase: 193.5"

Body

Material: Aluminum
Body Length: 14'
Overall Height: 10' 10"
Overall Length: 32' 10"

Features

Waterous 1500 GPM fire pump, 500 gallon tank
OnScene Solutions LED Compartment Lights
Whelen LED Warning Light Package
Akron Deck Gun
Command Light Shadow RT LED Light Tower
FoamPro 2001 foam proportioning system
Hannay 100' of 3 / 4" Booster Hose Reel



See more at svitrucks.com