

PRELIMINARY DRAWING - FOR LAYOUT PURPOSES ONLY

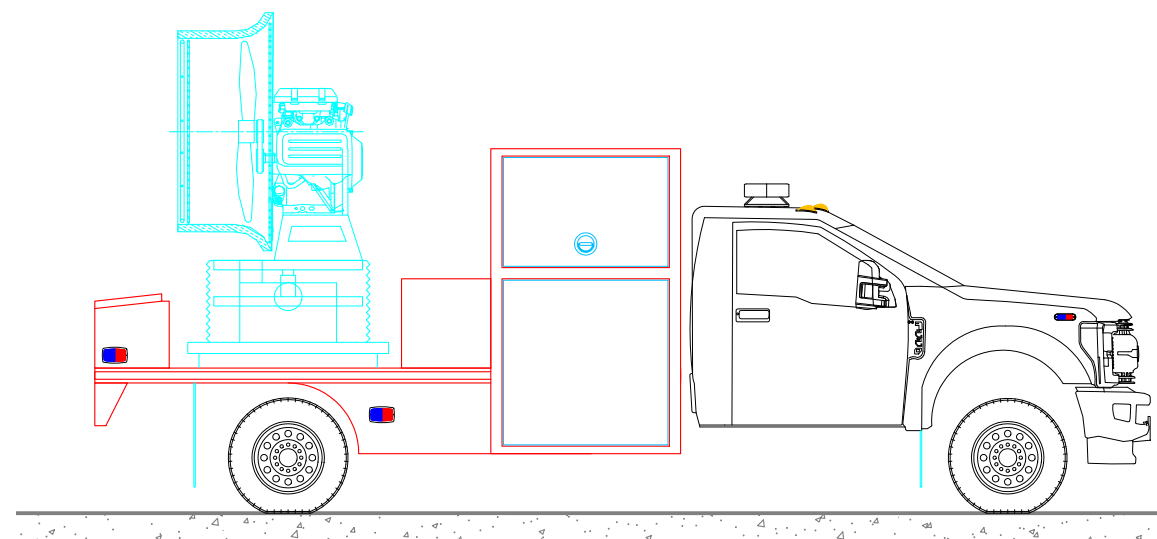
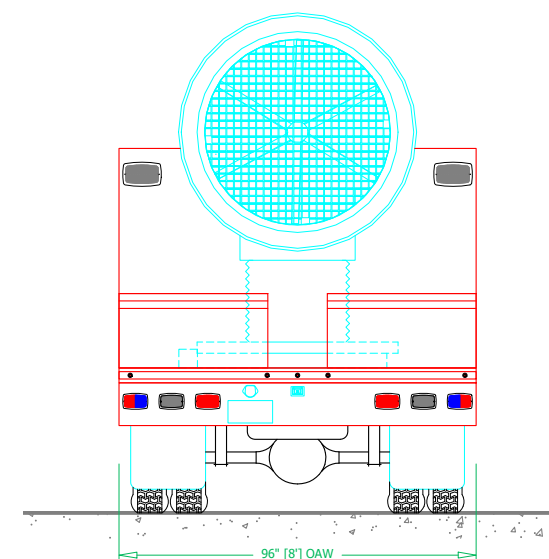
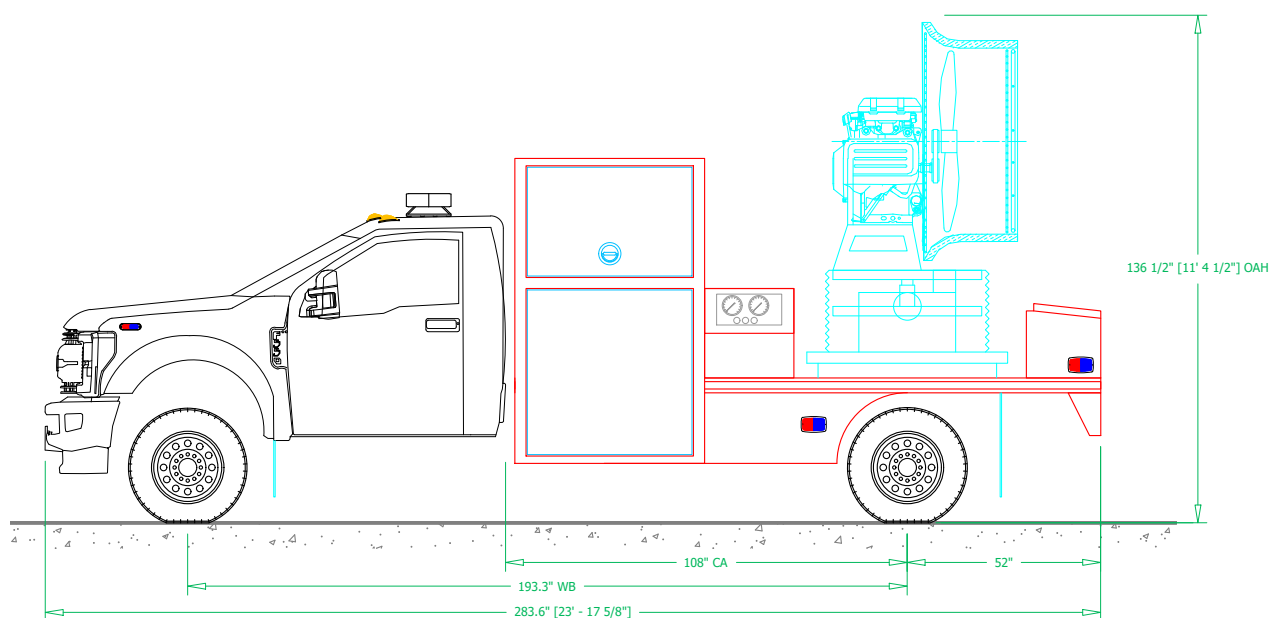
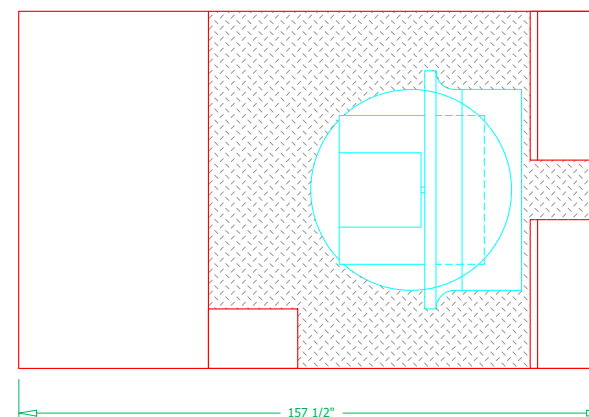
GENERAL SPECIFICATIONS:

1. FORD F450 CHASSIS WITH 108" CA / 193.3" WHEEL BASE. (F350 NOT AVAILABLE IN 108" CA)
2. TWO (2) 30" PPV FANS, STORED ONE (1) EA SIDE BEHIND RAMP DOORS.
3. OVERHEAD TRANSVERSE STORAGE BIN FOR TWO (2) 30" Ø DUCTS.
4. STORAGE BETWEEN SVU-50 AND FRONT COMPARTMENT FOR UP TO TWO (2) 30" Ø DUCTS.
5. STORAGE IN TRANSVERSE AREA BETWEEN 30" PPV FANS FOR SVU-50 INTAKE ADAPTER TO 30" DUCT.
6. STORAGE AND CONTROL BOXES AT REAR OF BED (BEHIND SVU-50 FOR EXTENSION CORDS AND SVU-50 CONTROLS).

| REVISIONS |             |      |    |
|-----------|-------------|------|----|
| REV       | DESCRIPTION | DATE | BY |

NOTE 1: Do not scale drawing. This drawing is for general truck configuration only. All items and dimensions shown are approximate and may vary with final production. The drawing may not provide illustration for all items in the specification. In all situations where the drawing may contradict the specifications, the specifications shall prevail. This drawing and all data herein are provided as confidential materials and shall not be reproduced without written consent of the manufacturer.

NOTE 2: Chassis frame height will change due to axle characteristics, loading and tire dimensions which will effect the overall height dimension shown. Any overall height restrictions should take this into consideration and allow approximately 2-3 inches of tolerance.



SUPER VACUUM MANUFACTURING  
3842 REDMAN DRIVE; FT COLLINS, CO 80524; PH(970)297-7100; www.supervac.com

OKLAHOMA CITY  
FIRE DEPARTMENT

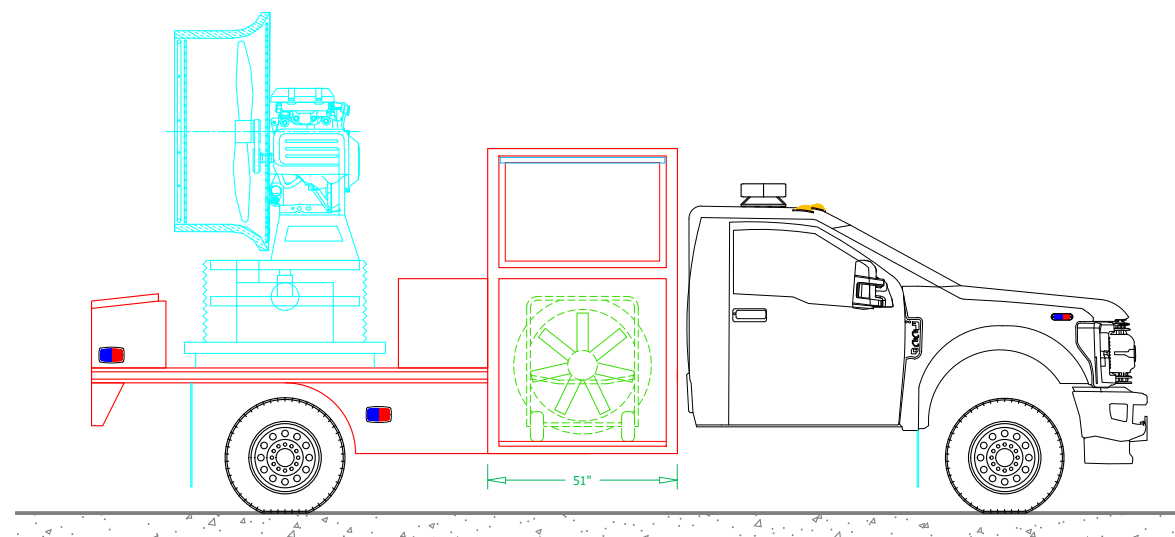
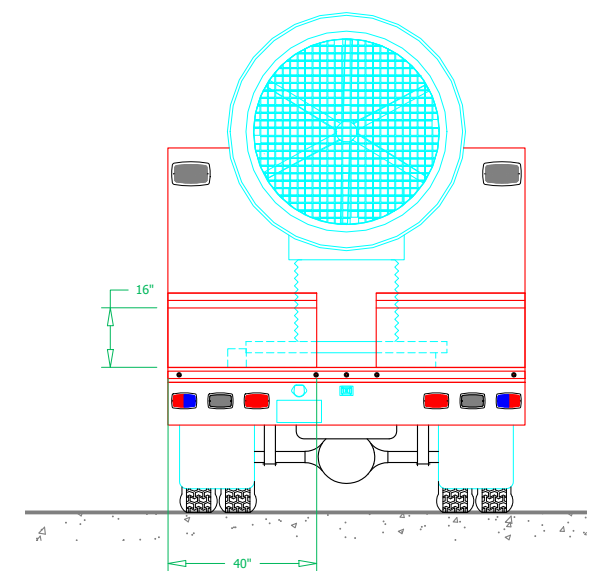
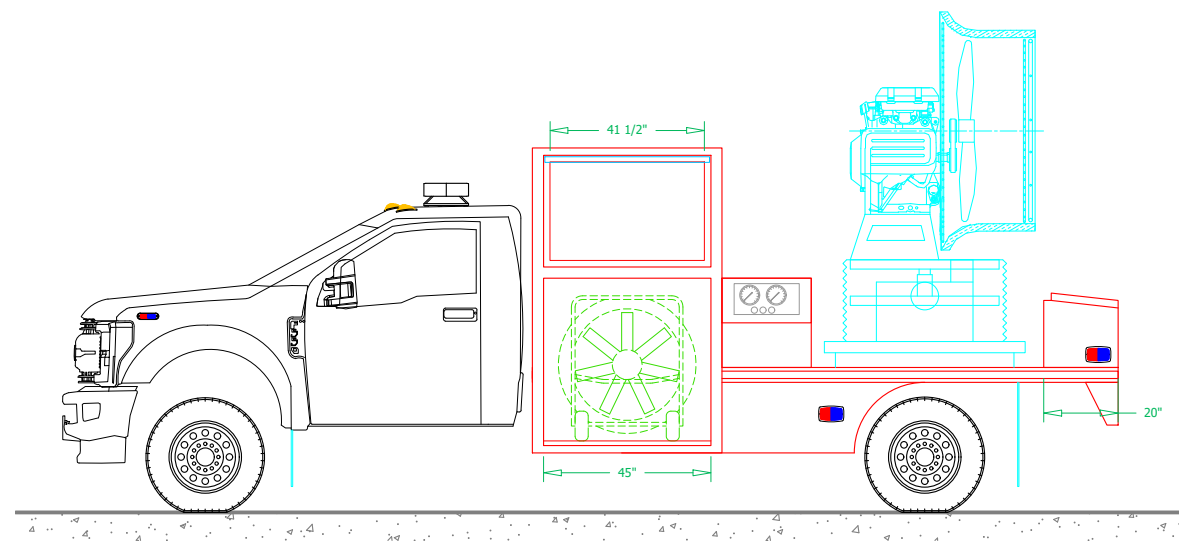
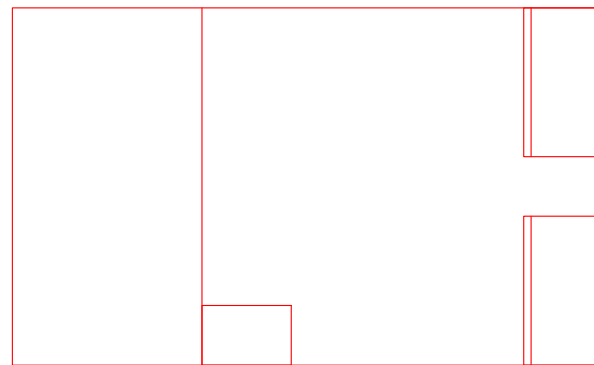
|                                      |                               |
|--------------------------------------|-------------------------------|
| BODY SIZE: 14'                       | UNIT TYPE: SVU-50             |
| BODY MATERIAL: 1/8" ALUM. TREADPLATE | TRUCK NO: XXXX                |
| CHASSIS TYPE: FORD                   | WHEELBASE: 183.30"            |
| F450                                 | CAB TO AXLE: 108.00"          |
| 2 DOOR                               | OVERALL LENGTH (OAL): 283.60" |
| 4 X 2                                | OVERALL WIDTH (OAW): 96.00"   |
|                                      | OVERALL HEIGHT (OAH): 136.50" |

DRAWN BY: SCG DATE: May 6, 2021 SCALE: 1/4" = 1'-0"  
DRAWING NO: OKC\_OK\_SVU-F450\_Prelim4 SHEET 1 OF 2

PRELIMINARY DRAWING - FOR LAYOUT PURPOSES ONLY

| REVISIONS |             |      |    |
|-----------|-------------|------|----|
| REV       | DESCRIPTION | DATE | BY |
|           |             |      |    |

NOTE 1: Do not scale drawing. This drawing is for general truck configuration only. All items and dimensions shown are approximate and may vary with final production. The drawing may not provide illustration for all items in the specification. In all situations where the drawing may contradict the specifications, the specifications shall prevail. This drawing and all data herein are provided as confidential materials and shall not be reproduced without written consent of the manufacturer.



**SUPERVAC** 

SUPER VACUUM MANUFACTURING  
3842 REDMAN DRIVE; FT. COLLINS, CO 80524; PH (970)297-7100; www.supervac.com

**OKLAHOMA CITY  
FIRE DEPARTMENT**

|                                     |                   |                     |
|-------------------------------------|-------------------|---------------------|
| DRAWN BY: SCG                       | DATE: May 6, 2021 | SCALE: 1/4" = 1'-0" |
| DRAWING NO: OKC_OK_SVU-F450_Prelim4 |                   | SHEET 2 OF 2        |