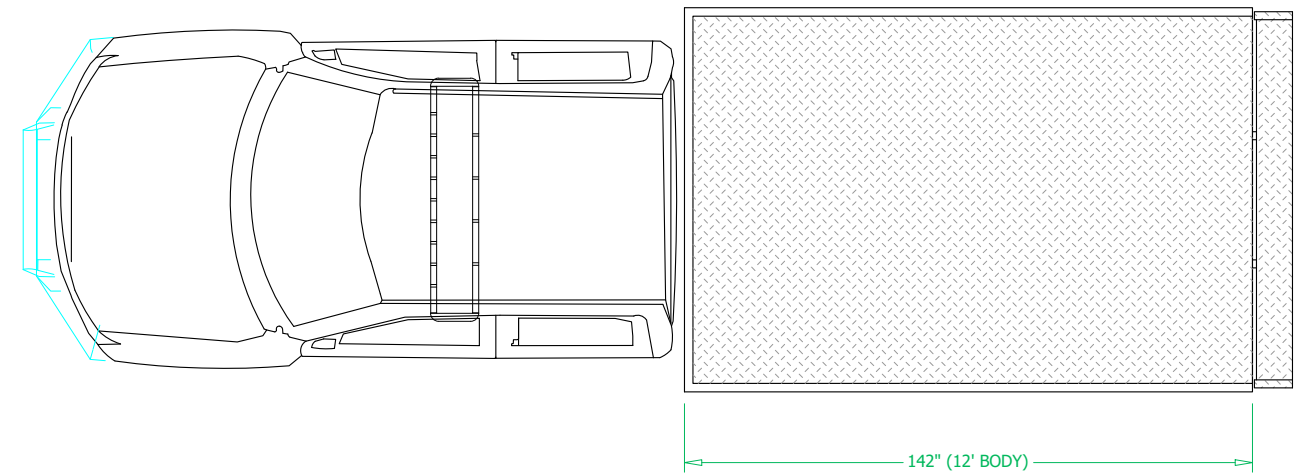


REVISIONS			
REV	DESCRIPTION	DATE	BY



ONE (1) WHELEN M9  
RED LED - CHROME

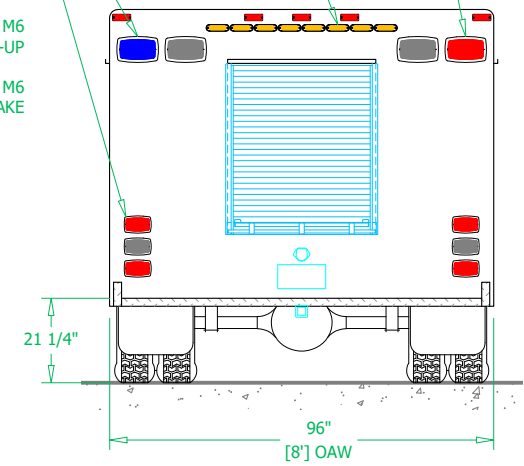
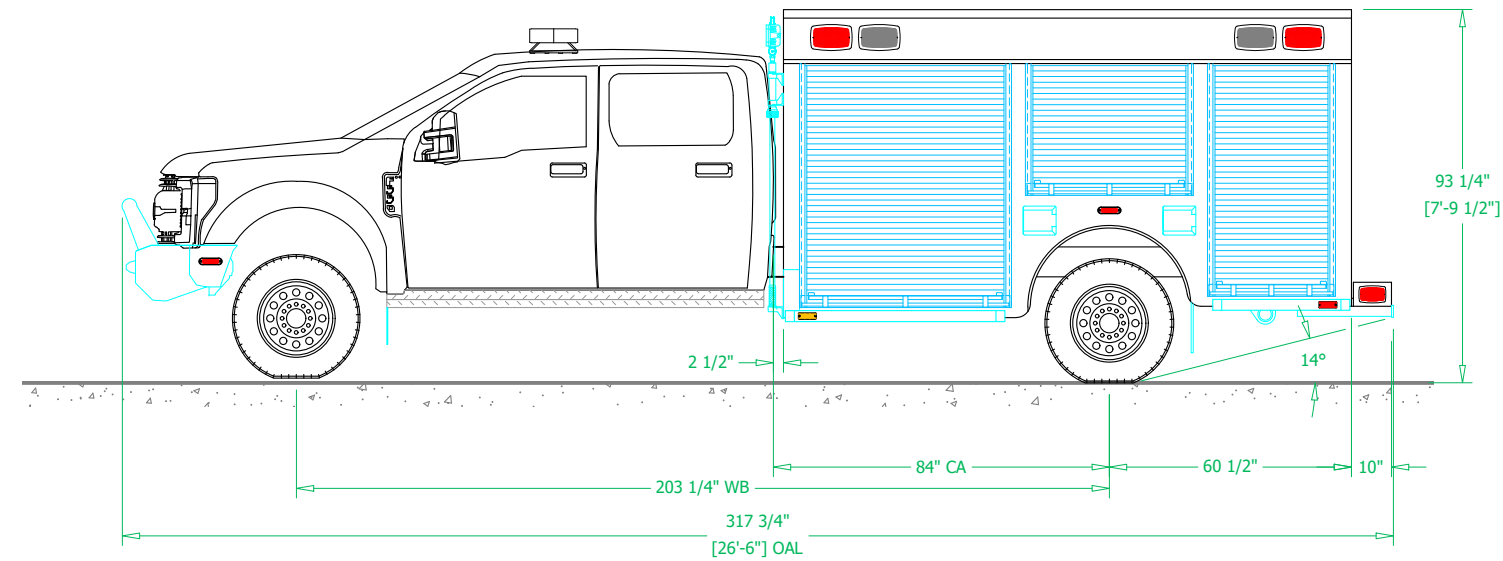
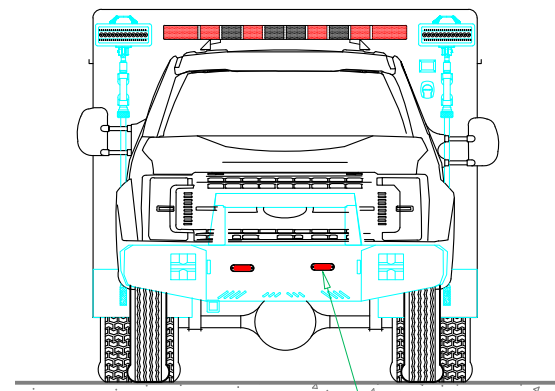
EIGHT (8) WHELEN ION  
AMBER LED - CHROME

ONE (1) WHELEN M9  
BLUE LED - CHROME

-TWO (2) WHELEN M6  
RED LED - TURN

-TWO (2) WHELEN M6  
CLEAR LED - BACK-UP

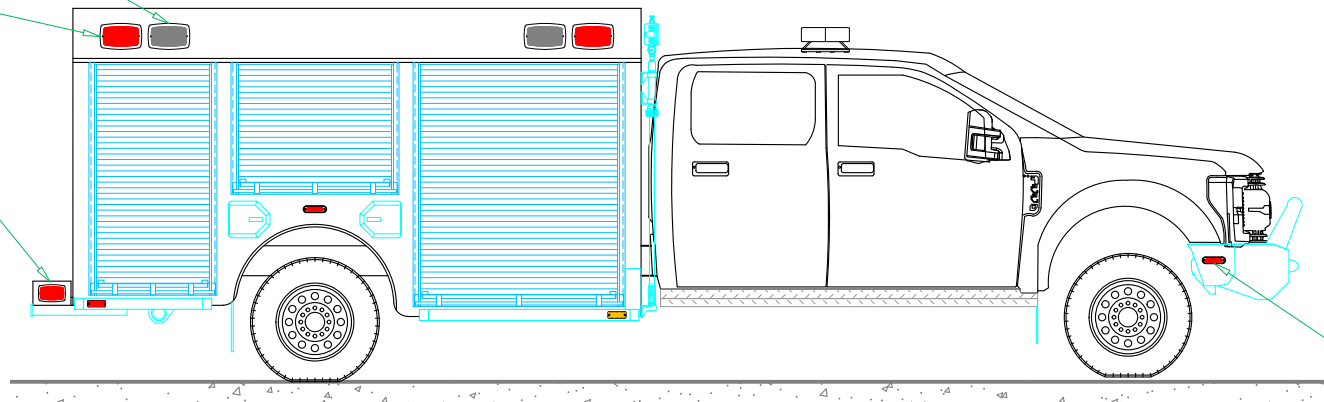
-TWO (2) WHELEN M6  
RED LED - BRAKE



FOUR (4) WHELEN M9  
SCENE - CHROME  
TWO (2) EACH SIDE

FOUR (4) WHELEN M9  
RED LED - CHROME  
TWO (2) EACH SIDE

TWO (2) WHELEN M6  
RED LED - CHROME  
ONE (1) EACH SIDE

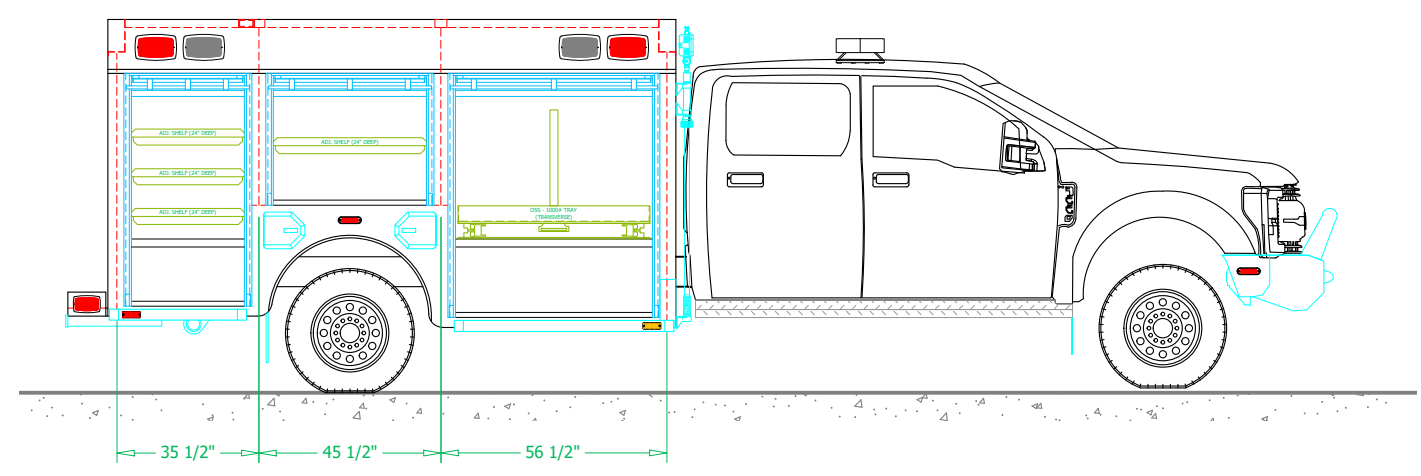
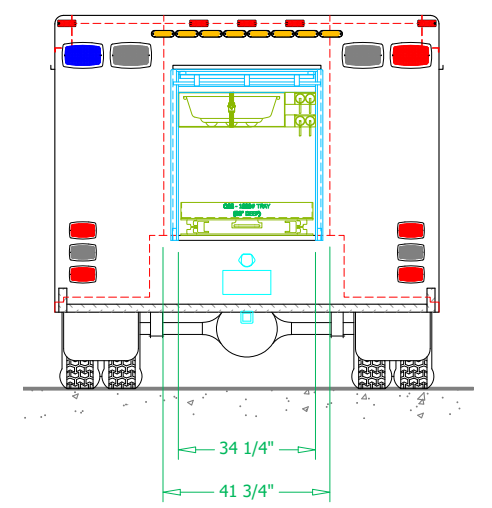
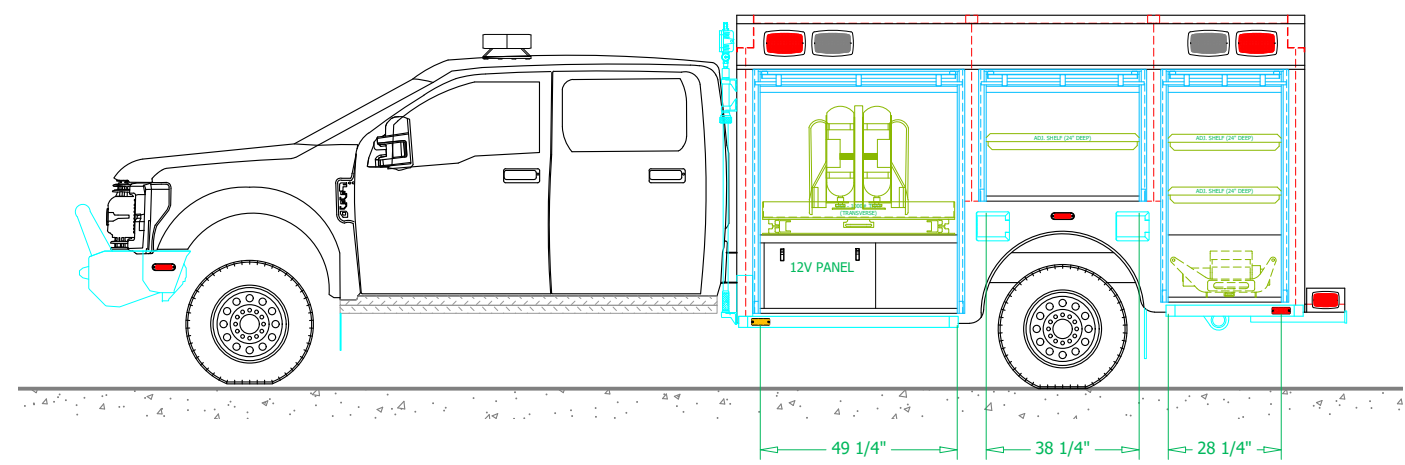
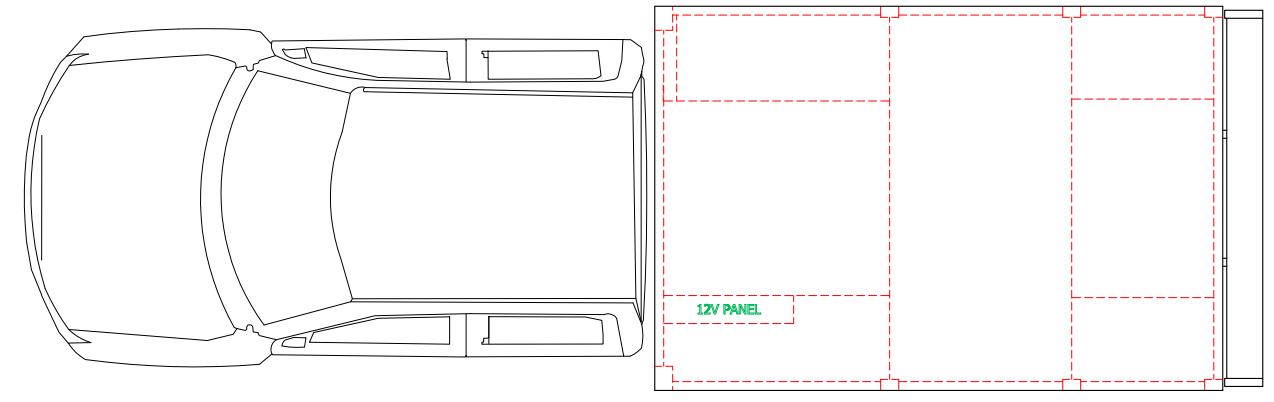



SVI FIRE & RESCUE TRUCKS  
3842 REDMAN DRIVE, FORT COLLINS, CO 80524 PHONE 970-297-7100, FAX 970-297-7099

**RAPIDS  
FIRE COMPANY**

BODY SIZE: 12' BODY	UNIT TYPE: LIGHT RESCUE
BODY MATERIAL: 3/16" ALUMINUM	TRUCK NO: SVI#1210
CHASSIS TYPE: FORD	WHEELBASE: 203.25"
F550 4 x 4	CAB TO AXLE: 84"
-	OVERALL LENGTH (OAL): 318"
FOUR DOOR	OVERALL WIDTH (OAW): 96"
	OVERALL HEIGHT (OAH): 94"

REVISIONS			
REV	DESCRIPTION	DATE	BY





SVI FIRE & RESCUE TRUCKS  
3842 REDMAN DRIVE, FORT COLLINS, CO 80524 PHONE 970-297-7100, FAX 970-297-7099

**RAPIDS  
FIRE COMPANY**

DRAWN BY: KP	DATE: Oct. 13, 22	SCALE: 1/4" = 1'-0"
DRAWING NO: Rapids NY Ir AsBuilt	SHEET 2 OF 2	