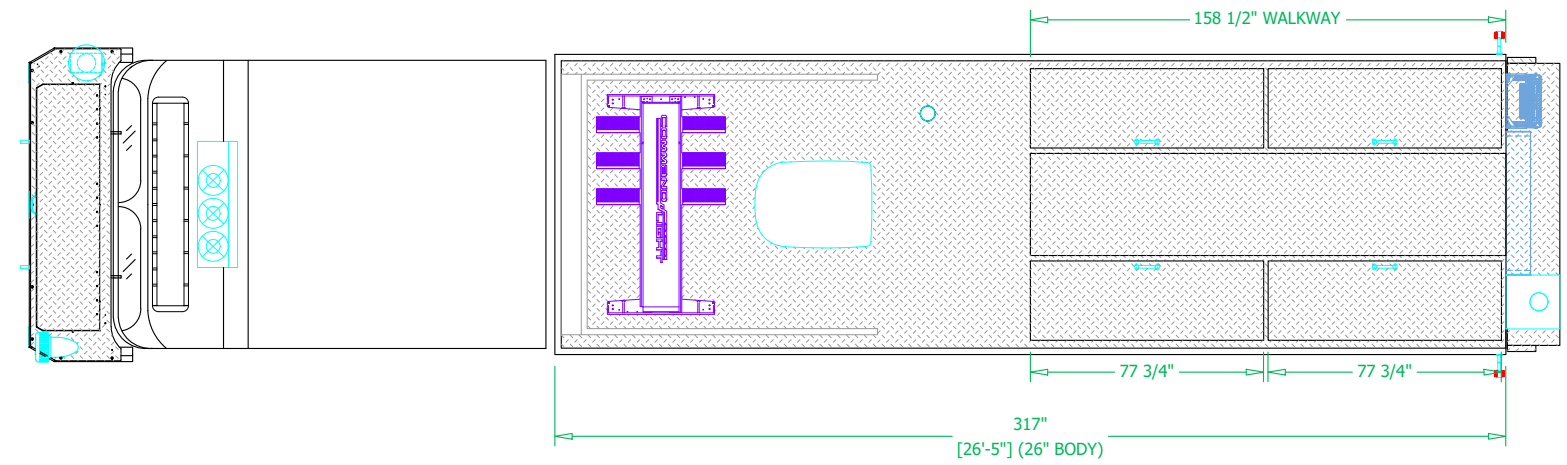
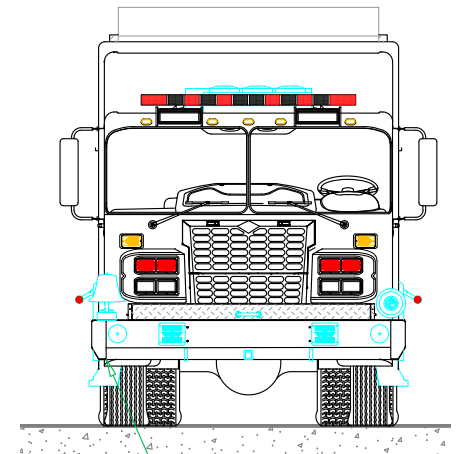


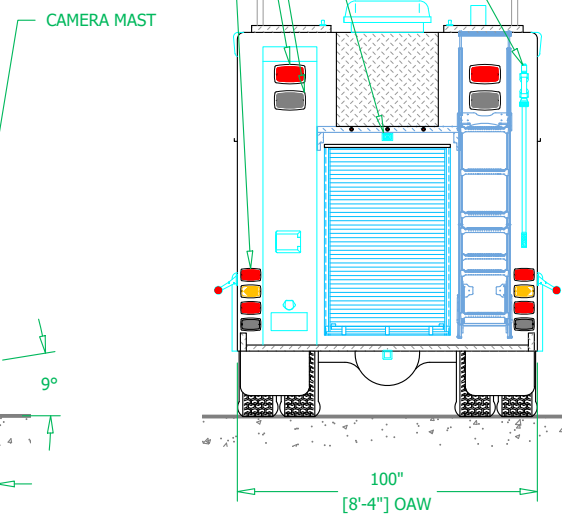
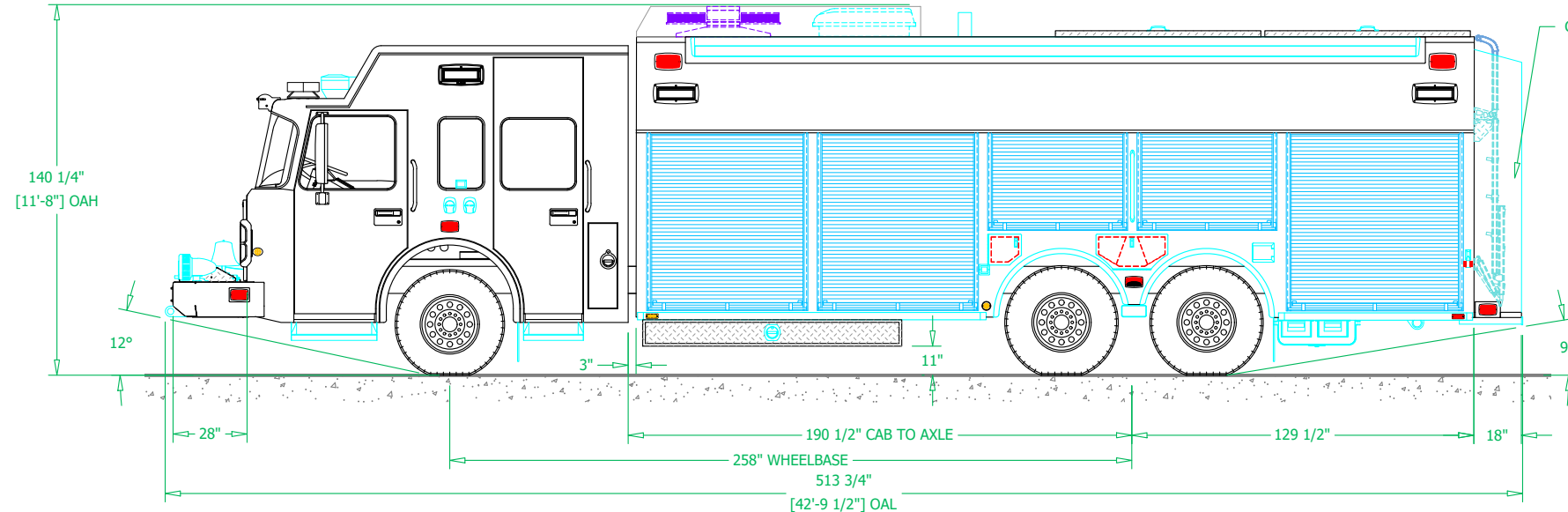
REVISIONS			
REV	DESCRIPTION	DATE	BY



- WEATHER STATION
- AUDIOVOX VOYAGER BACKUP CAMERA
- TWO (2) WHELEN M9 SCENE LED - CHROME
- TWO (2) WHELEN M9 RED LED - CHROME
- TWO (2) WHELEN M6 RED LED - WARNING
- TWO (2) WHELEN M6 AMBER LED - TURN
- TWO (2) WHELEN M6 RED LED - BRAKE
- TWO (2) WHELEN M6 CLEAR LED - BACK-UP

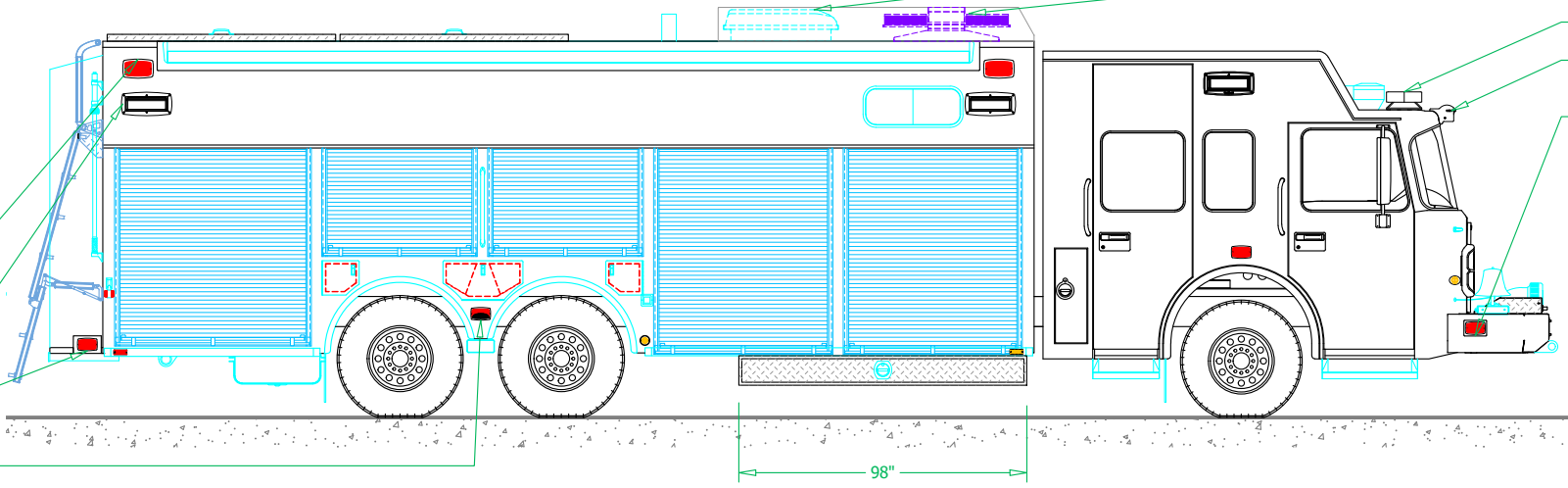


- BUMPER COMPONENTS
- TWO (2) AIR HORNS ONE (1) EACH SIDE (RECESSED) OUTBOARD
- ONE (1) FIRE BELL OUT-BOARD
- TWO (2) SVI SIREN ONE (1) EACH SIDE (RECESSED) INBOARD
- ONE (1) FED. SIG. Q2B OUTBOARD (SS)
- TOE-EYES
- ONE (1) WINCH RECEIVER



- DOMESTIC PENGUIN II COMMAND LIGHT
- CL602A-W2 LIGHT-TOWER
- SIX (6) WHELEN PIONEERS
- WHELEN FN 72" LIGHT-BAR
- TWO (2) WHELEN PIONEER BROW-LIGHT
- TWO (2) WHELEN M6 RED LED - RECESSED ONE (1) EACH SIDE

- FOUR (4) WHELEN M9 RED/CLEAR LENS - CHROME TWO (2) EACH SIDE
- SIX (6) WHELEN PIONEER SCENE LED - SEMI-RECESSED THREE (3) EACH SIDE
- FOUR (4) WHELEN M6 RED LED - CHROME TWO (2) EACH SIDE
- TWO (2) WHELEN M6 V-SERIES RED LED - CHROME ONE (1) EACH SIDE

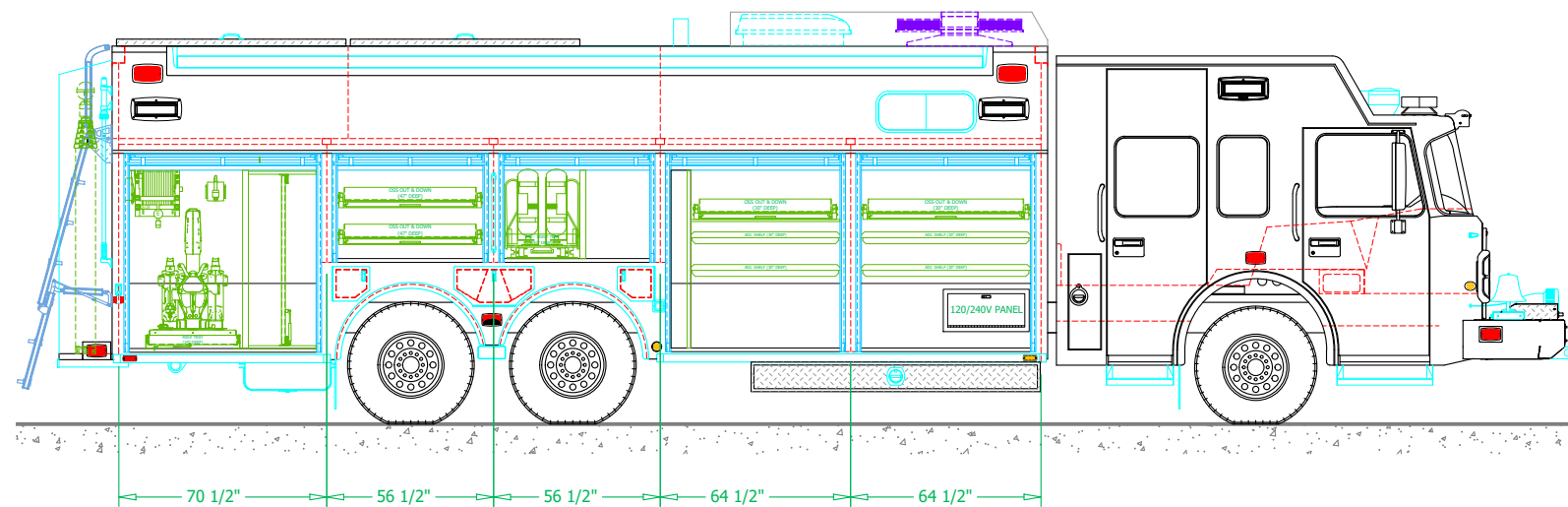
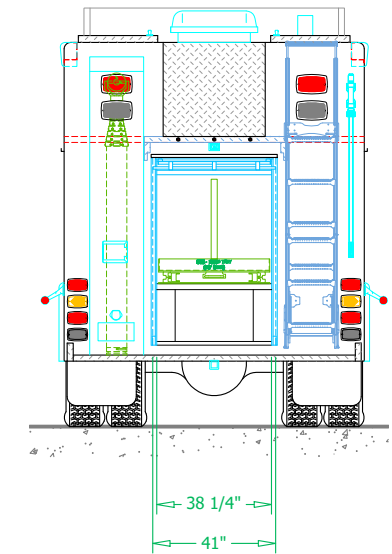
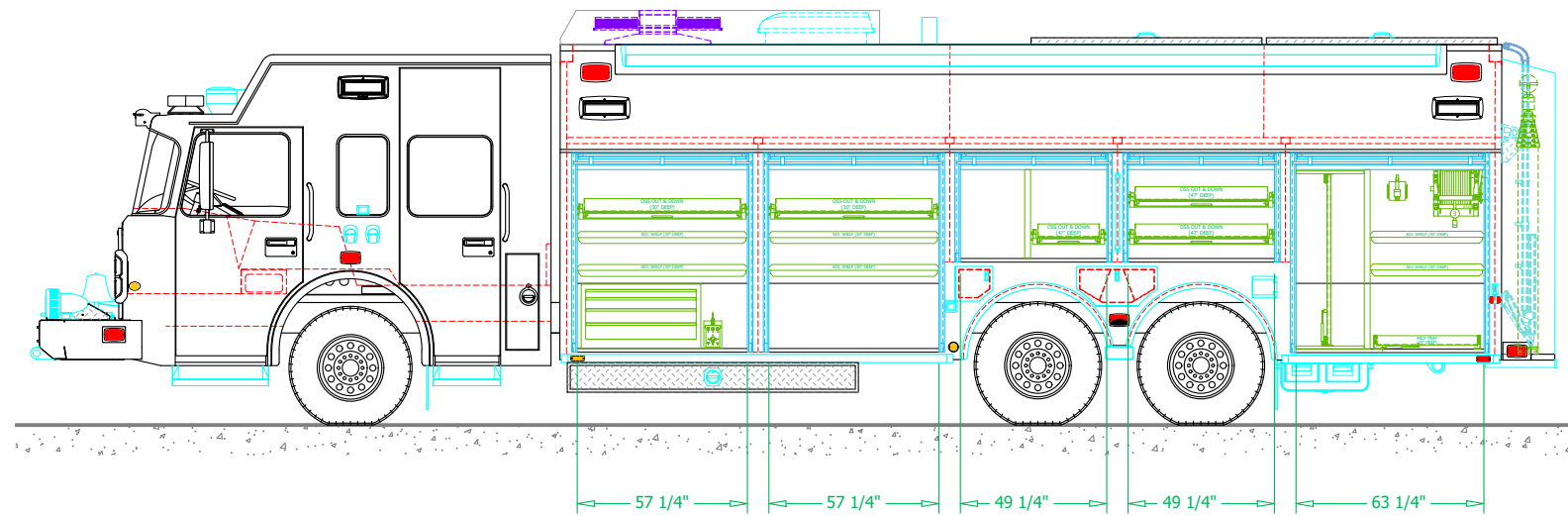
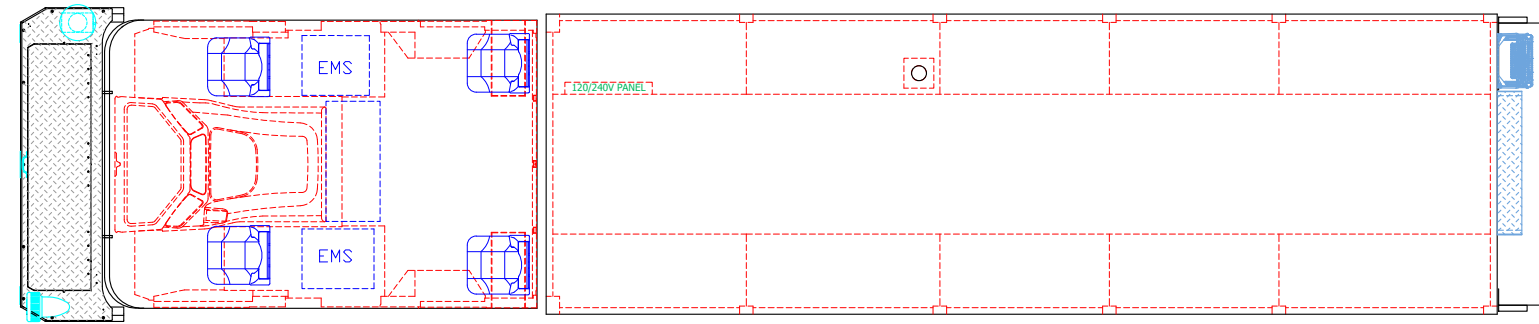


SVI FIRE & RESCUE TRUCKS  
3842 REDMAN DRIVE, FORT COLLINS, CO 80524 PHONE 970-297-7100, FAX 970-297-7099

**CITY OF MIAMI  
FIRE - RESCUE**

BODY SIZE: 26' BODY	UNIT TYPE: HAZ-MAT
BODY MATERIAL: 3/16" ALUMINUM	TRUCK NO: SVI #1204
CHASSIS TYPE: SPARTAN	WHEELBASE: 258.00"
GLADIATOR - LFD	CAB TO AXLE: 190.50"
20" RR	OVERALL LENGTH (OAL): 514.00"
FOUR DOOR	OVERALL WIDTH (OAW): 100.00"
	OVERALL HEIGHT (OAH): 141.00"

REVISIONS			
REV	DESCRIPTION	DATE	BY

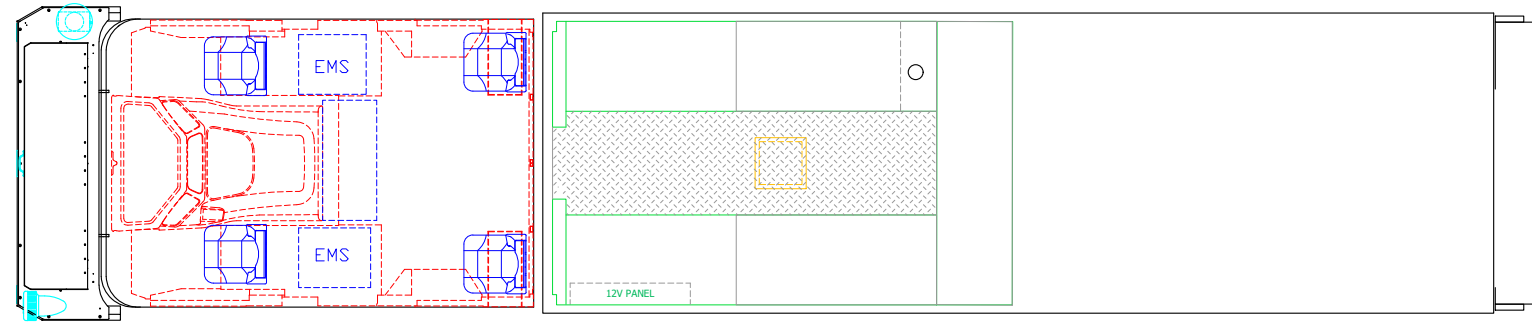


SVI FIRE & RESCUE TRUCKS  
3842 REDMAN DRIVE, FORT COLLINS, CO 80524 PHONE 970-297-7100, FAX 970-297-7099

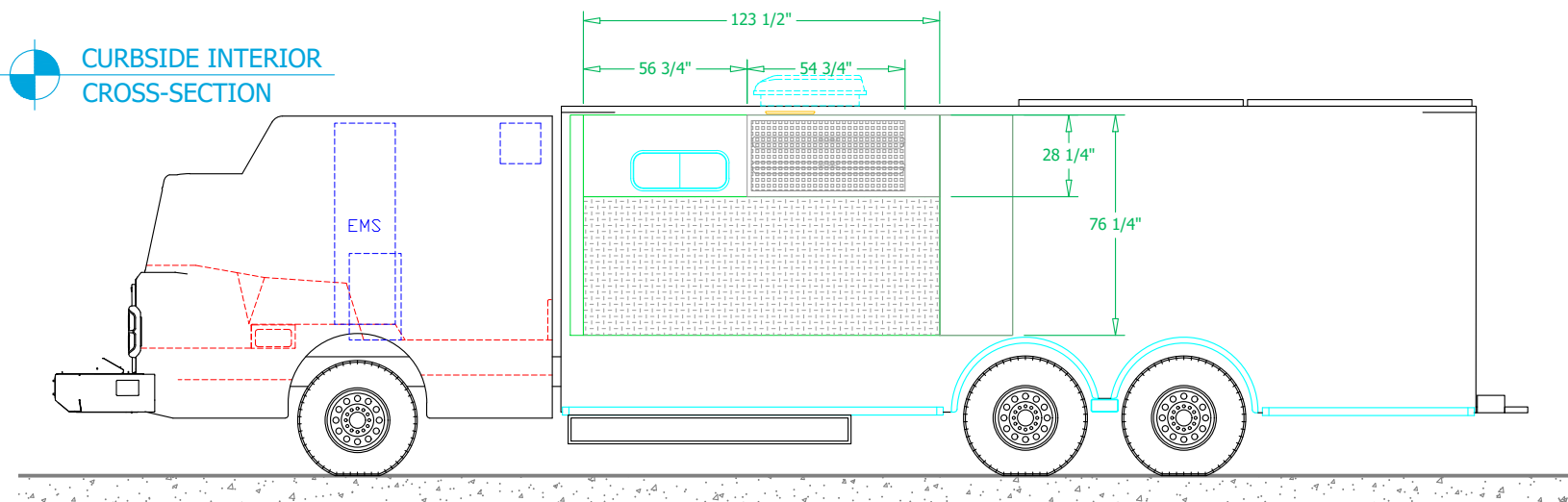
CITY OF MIAMI  
FIRE - RESCUE

REVISIONS			
REV	DESCRIPTION	DATE	BY

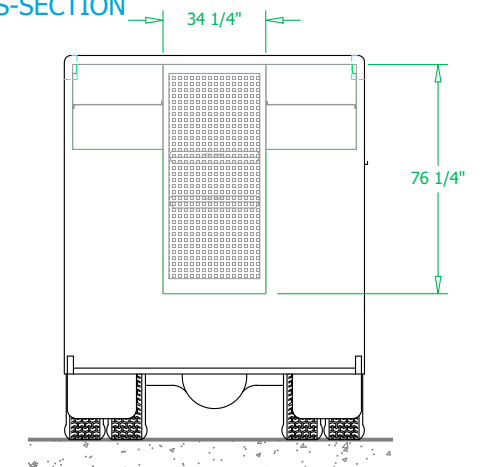
PLAN VIEW  
CROSS-SECTION



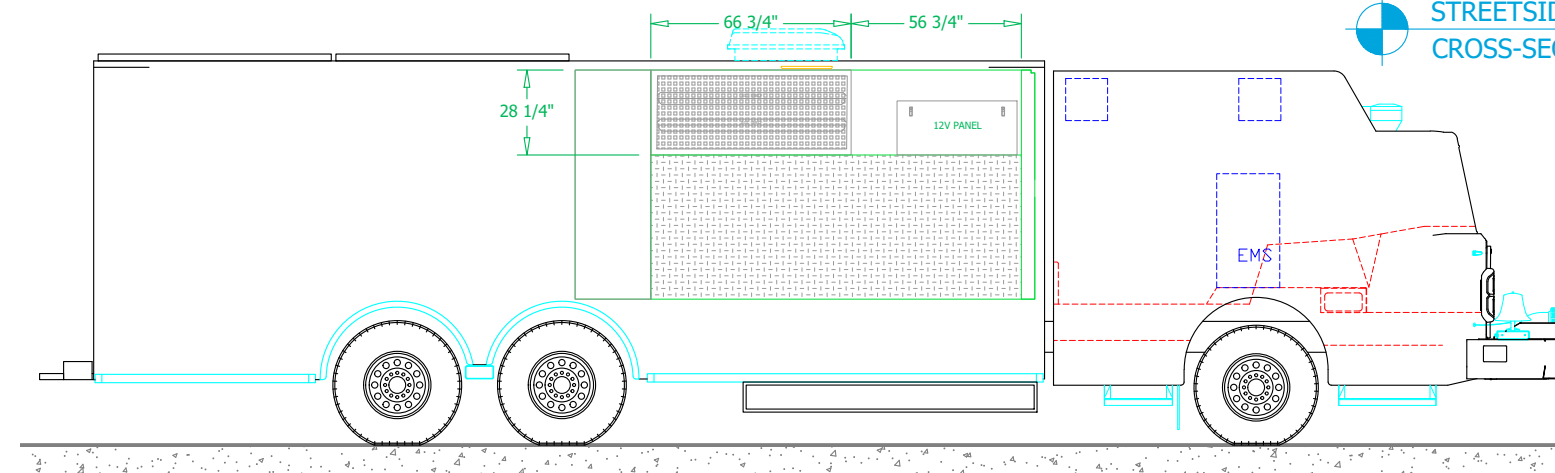
CURBSIDE INTERIOR  
CROSS-SECTION




REAR VIEW  
CROSS-SECTION



STREETSIDE INTERIOR  
CROSS-SECTION





**SVI**  
FORT COLLINS COLORADO

SVI FIRE & RESCUE TRUCKS  
3842 REDMAN DRIVE, FORT COLLINS, CO 80524 PHONE 970-297-7100, FAX 970-297-7099

**CITY OF MIAMI  
FIRE - RESCUE**

DRAWN BY: KP	DATE: November 28, 2022	SCALE: 3/16" = 1'-0"
DRAWING NO: CityofMiami FL Spartan HZ AsBuilt		SHEET 3 OF 3