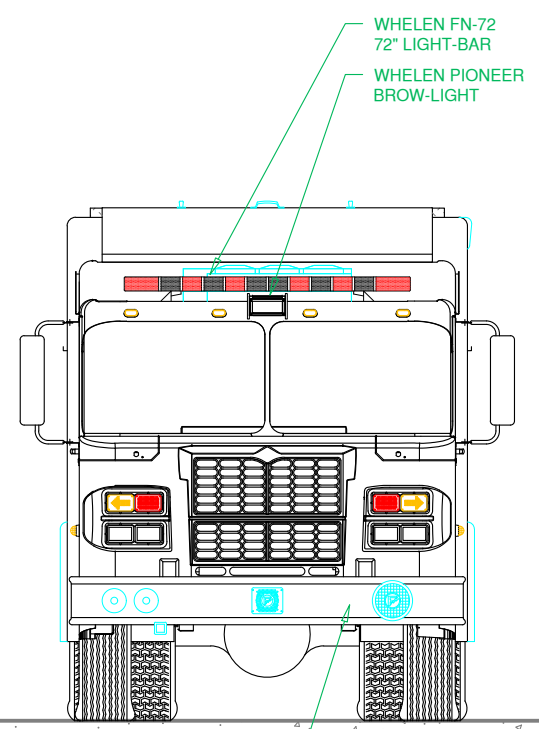
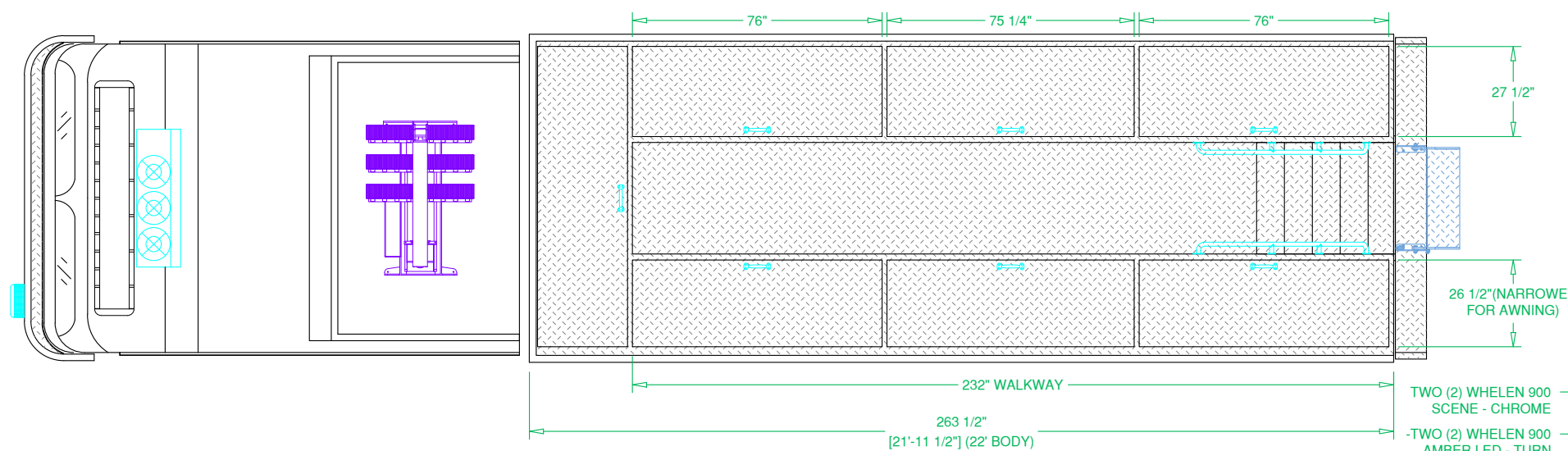
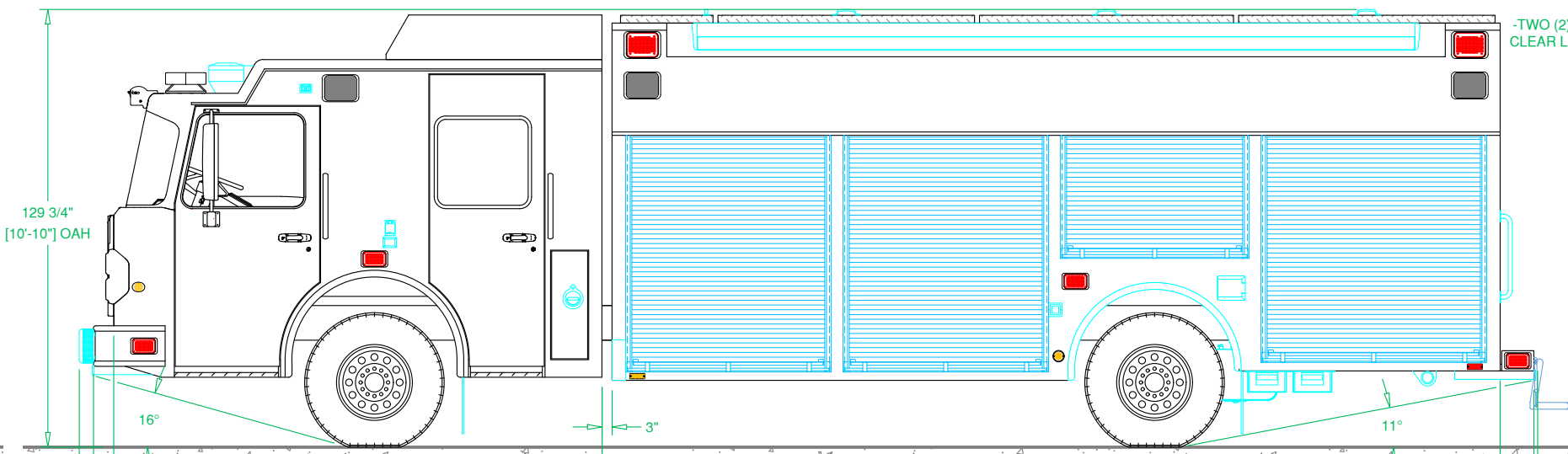


REVISIONS			
REV	DESCRIPTION	DATE	BY



WHELEN FN-72
72" LIGHT-BAR
WHELEN PIONEER
BROW-LIGHT



129 3/4"
[10'-10"] OAH

16°

6"

67 1/2"

231 1/2" WHEELBASE
432 3/4"
[36'-0 1/2"] OAL

164" CAB TO AXLE

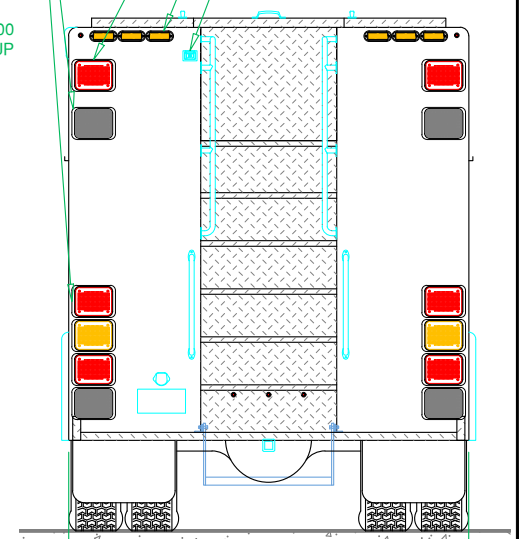
102 1/2" (86" AE)

11°

10"

232" WALKWAY
263 1/2"
[21'-11 1/2"] (22' BODY)
27 1/2"
26 1/2" (NARROWED
FOR AWNING)
TWO (2) WHELEN 900
SCENE - CHROME
-TWO (2) WHELEN 900
AMBER LED - TURN
-TWO (2) WHELEN 900
RED LED - BRAKE
-TWO (2) WHELEN 900
CLEAR LED - BACK-UP

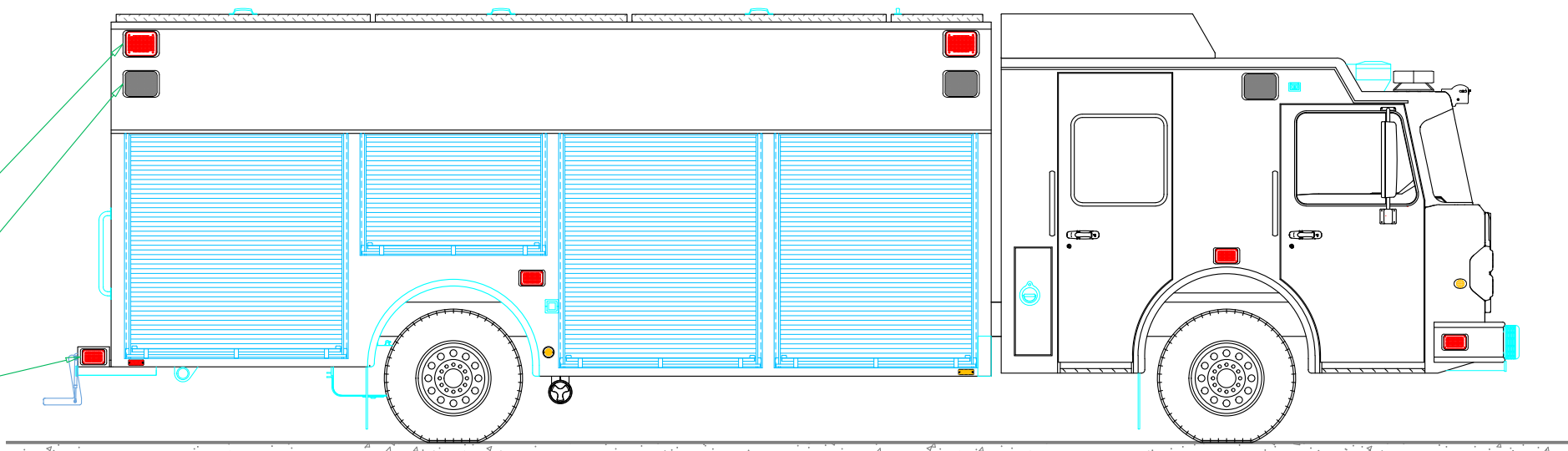
FOUR (4) WHELEN 900
RED LED - CHROME
SIX (6) WHELEN ION
AMBER LED - CHROME
TRAFFIC ADVISOR
REAR VIEW CAMERA
PROVIDED VIA
CAB CHASSIS SPEC




100"
[8'-4"] OAW

BUMPER COMPONENTS
-TWO (2) AIR-HORNS
IN/OUT-BOARD (CS)
-ONE (1) FED. SIG. SIREN
MIDDLE
-ONE (1) FEDERAL SIGNAL
Q2B (RECESSED)
OUTBOARD (SS)
- RECEIVER (CS)

FOUR (4) WHELEN 900
RED LED - CHROME
TWO (2) EACH SIDE
SIX(6) WHELEN 900
SCENE - CHROME
THREE (3) EACH SIDE
EIGHT (8) WHELEN 600
RED LED - CHROME
FOUR (4) EACH SIDE





SVI
FORT COLLINS COLORADO

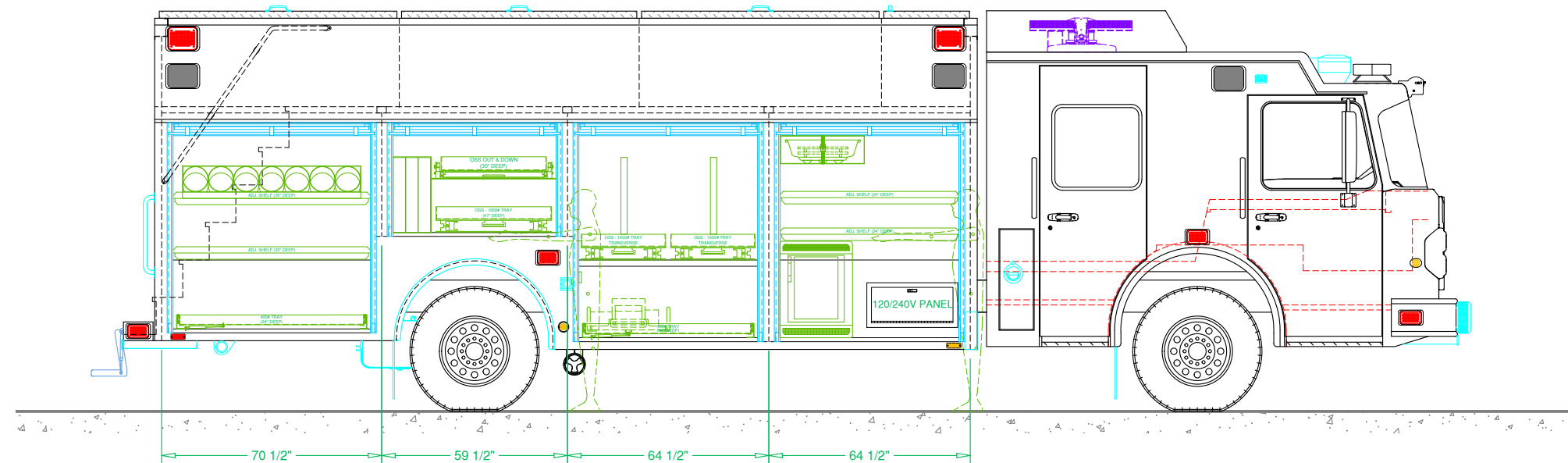
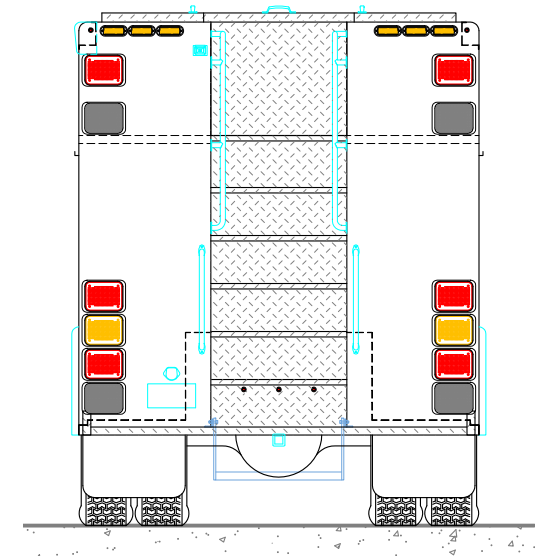
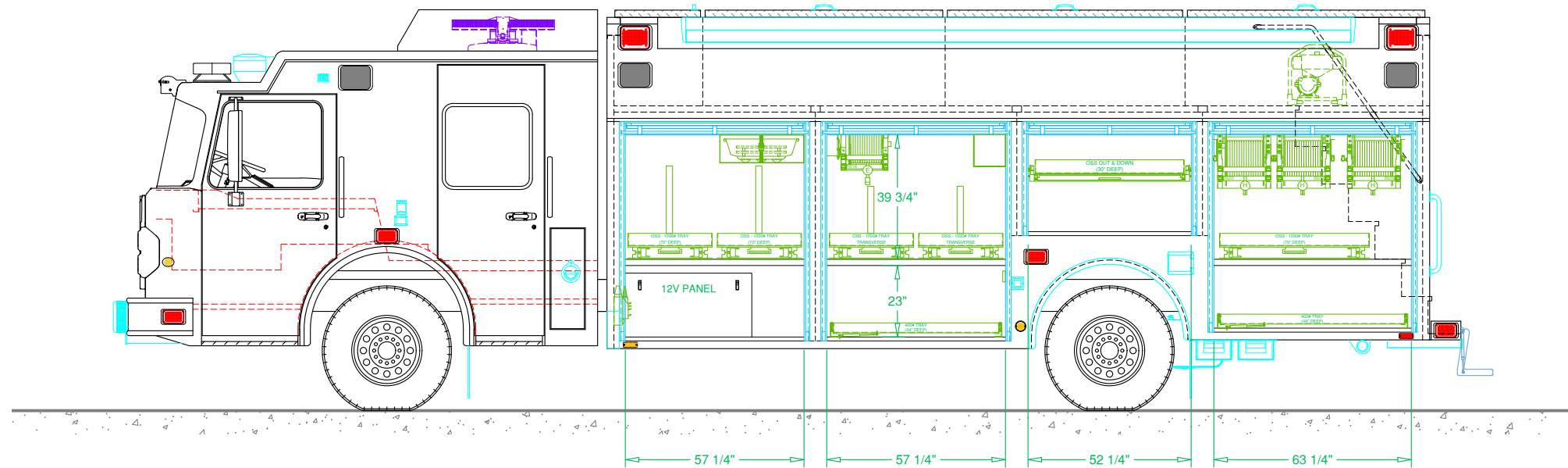
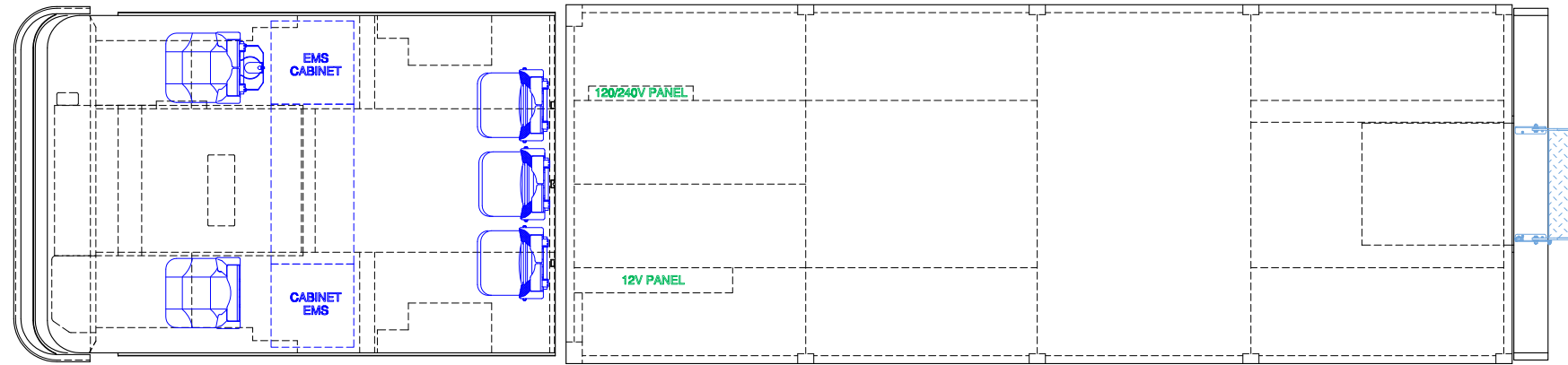
SVI FIRE & RESCUE TRUCKS
3842 REDMAN DRIVE, FORT COLLINS, CO 80524 PHONE 970-297-7100, FAX 970-297-7099


PORT COQUITLAM FIRE/RESCUE

BODY SIZE: 22' BODY	UNIT TYPE: HEAVY RESCUE
BODY MATERIAL: 3/16" ALUMINUM	TRUCK NO: SVI #1208
CHASSIS TYPE: SPARTAN	WHEELBASE: 231.50"
METROSTAR - LFD	CAB TO AXLE: 164.00"
10" RR	OVERALL LENGTH (OAL): 433.00"
FOUR DOOR	OVERALL WIDTH (OAW): 100.00"
	OVERALL HEIGHT (OAH): 130.00"

DRAWN BY: KP DATE: December 14, 2022 SCALE: 1/4" = 1'-0"
DRAWING NO: PortCoquitlam BC hr 22 AsBuilt SHEET 1 OF 2

REVISIONS			
REV	DESCRIPTION	DATE	BY





SVI
FORT COLLINS COLORADO

SVI FIRE & RESCUE TRUCKS
3842 REDMAN DRIVE, FORT COLLINS, CO 80524 PHONE 970-297-7100, FAX 970-297-7099

**PORT COQUITLAM
FIRE/RESCUE**

DRAWN BY: KP	DATE: Dec. 14, 22	SCALE: 1/4" = 1'-0"
DRAWING NO: PortCoquitlam BC hr 22 AsBuilt		SHEET 2 OF 2