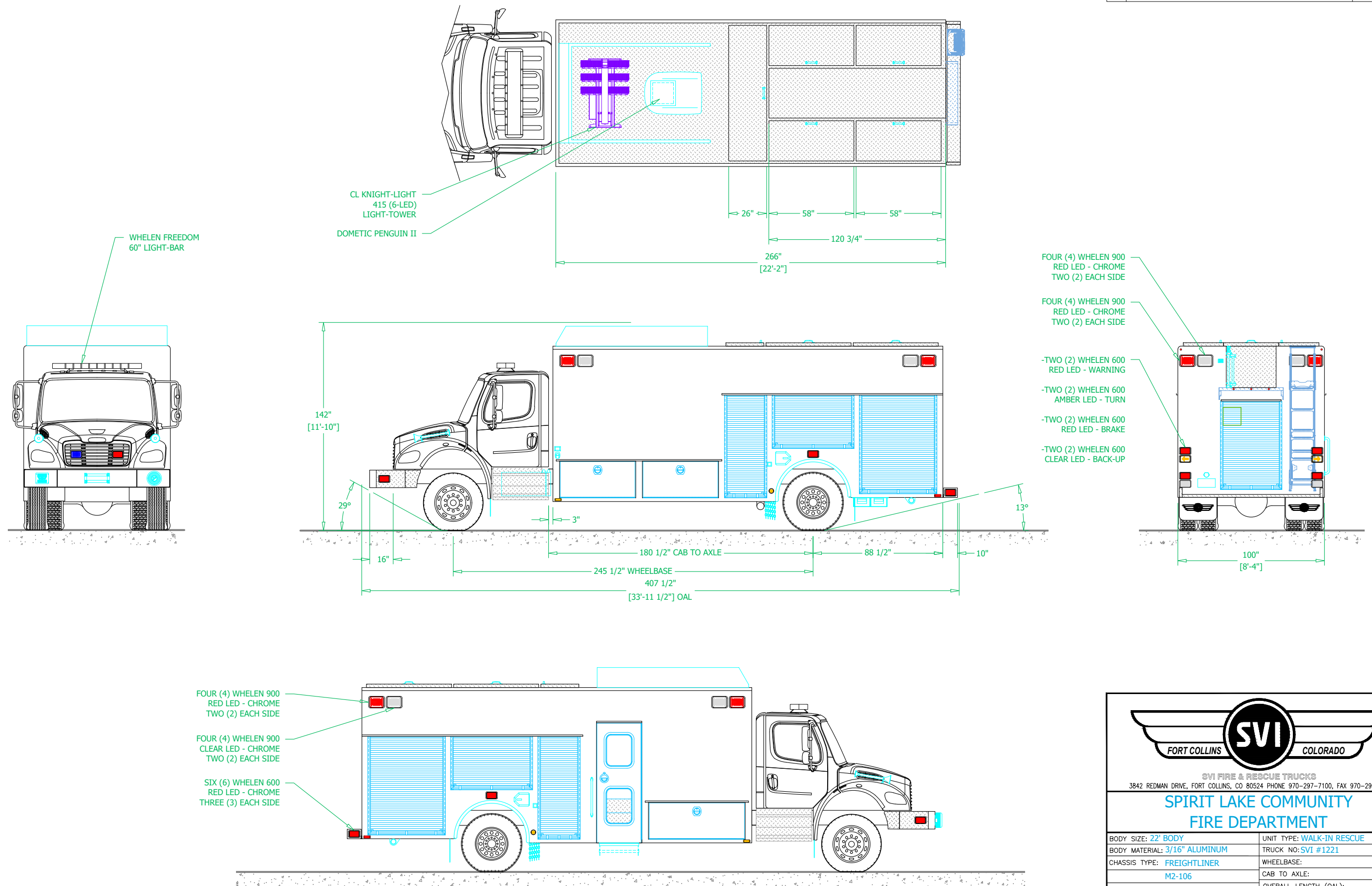


REVISIONS			
REV	DESCRIPTION	DATE	BY



SVI
FORT COLLINS COLORADO

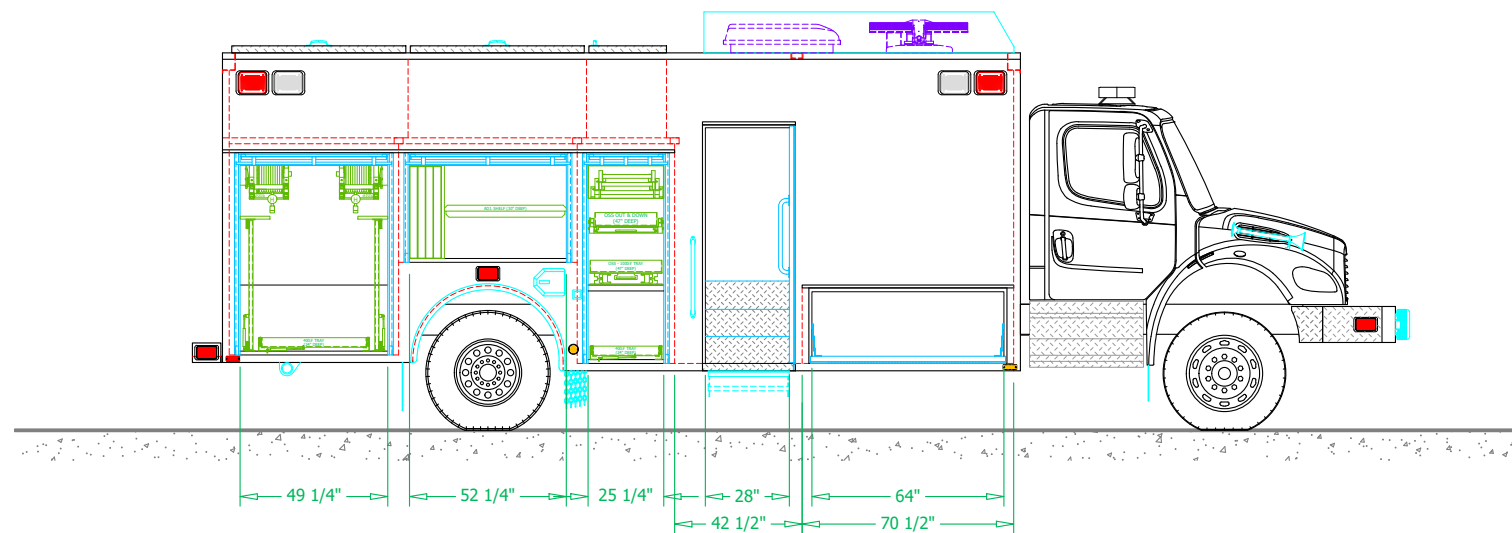
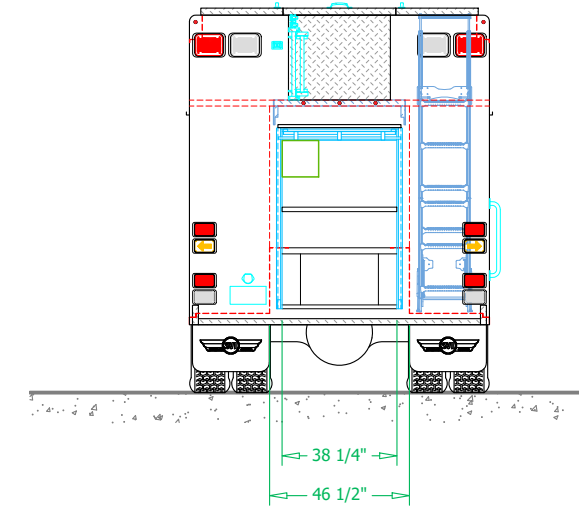
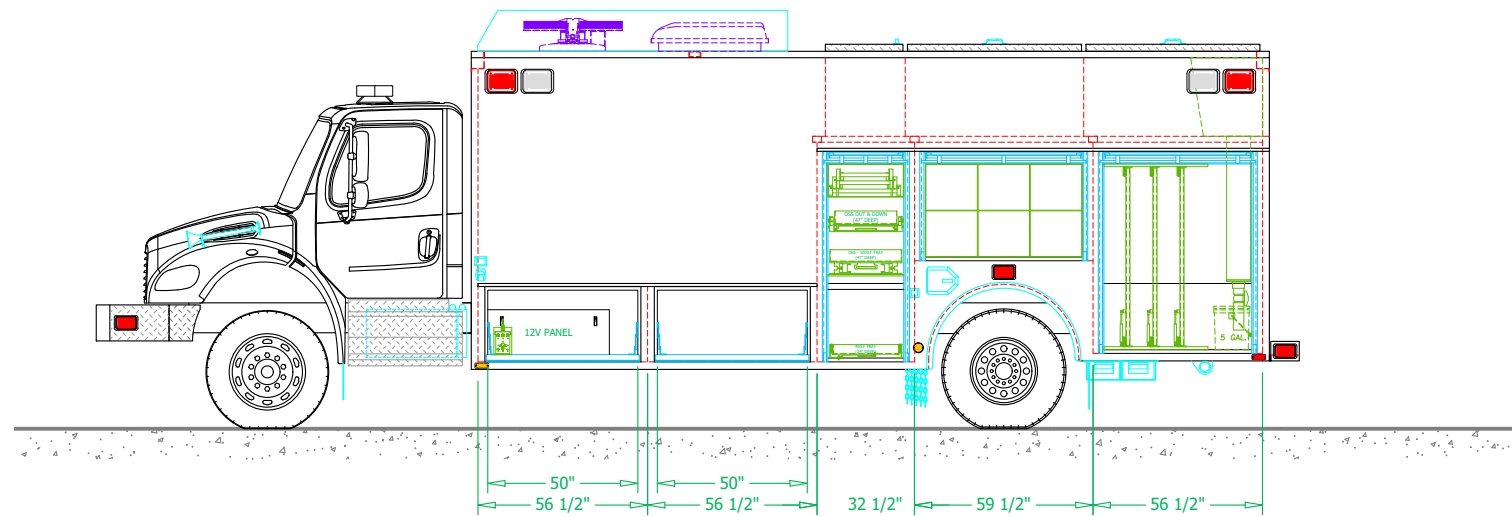
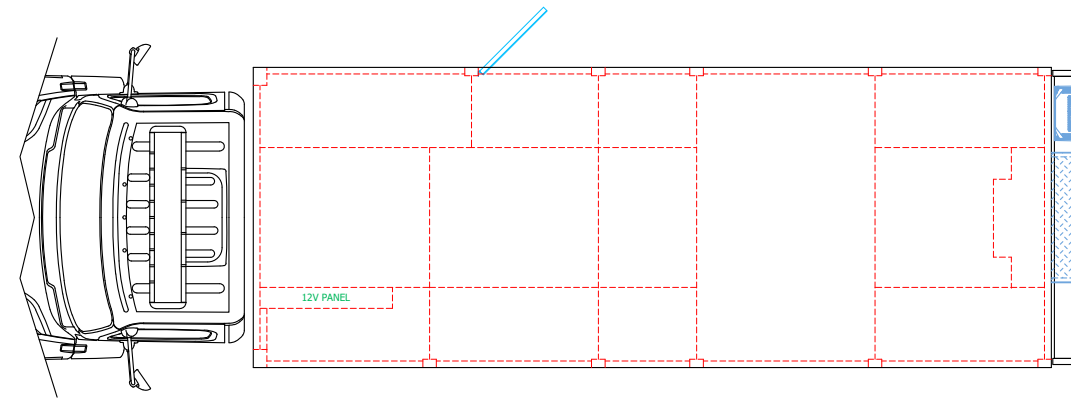
SVI FIRE & RESCUE TRUCKS
3842 REDMAN DRIVE, FORT COLLINS, CO 80524 PHONE 970-297-7100, FAX 970-297-7099


**SPIRIT LAKE COMMUNITY
FIRE DEPARTMENT**

BODY SIZE: 22' BODY	UNIT TYPE: WALK-IN RESCUE
BODY MATERIAL: 3/16" ALUMINUM	TRUCK NO: SVI #1221
CHASSIS TYPE: FREIGHTLINER	WHEELBASE: 245.50"
M2-106	CAB TO AXLE: 180.50"
---	OVERALL LENGTH (OAL): 34' - 0"
TWO DOORS	OVERALL WIDTH (OAW): 8' - 4"
	OVERALL HEIGHT (OAH): 11' - 10"

DRAWN BY: KP DATE: March 24, 2023 SCALE: 3/16" = 1'-0"
DRAWING NO: SpiritLake_IA_mr22_AsBuilt SHEET 1 OF 3

REVISIONS			
REV	DESCRIPTION	DATE	BY





SVI
FORT COLLINS COLORADO

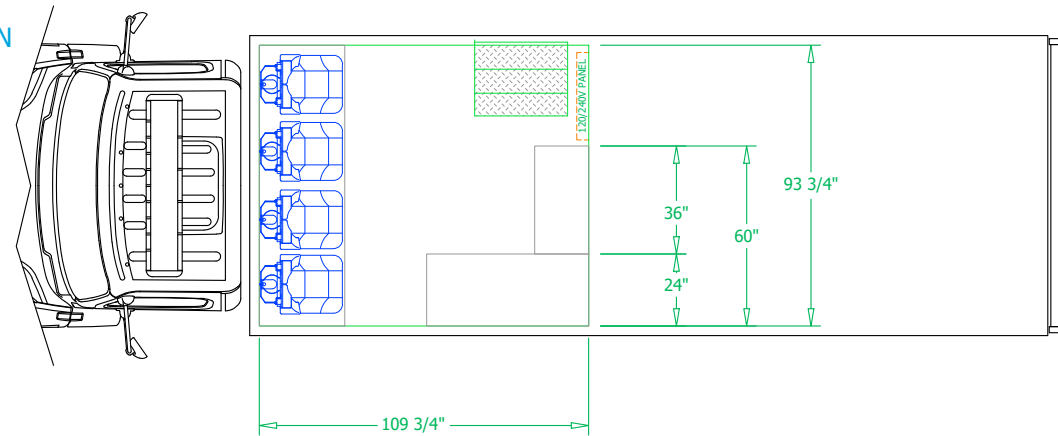
SVI FIRE & RESCUE TRUCKS
3842 REDMAN DRIVE, FORT COLLINS, CO 80524 PHONE 970-297-7100, FAX 970-297-7099

**SPIRIT LAKE COMMUNITY
FIRE DEPARTMENT**

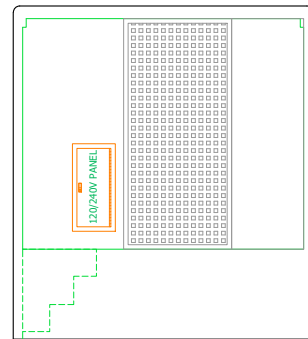
DRAWN BY: KP	DATE: March 24, 2023	SCALE: 3/16" = 1'-0"
DRAWING NO: SpiritLake_IA_mr22_AsBuilt	SHEET 2 OF 3	

REVISIONS			
REV	DESCRIPTION	DATE	BY

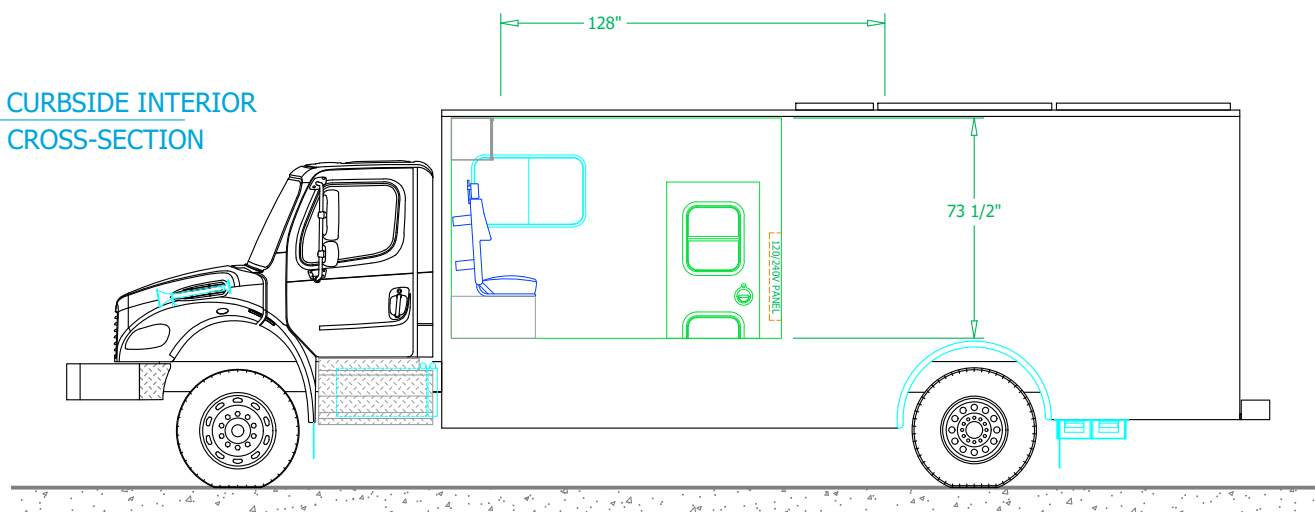
PLAN VIEW
CROSS-SECTION



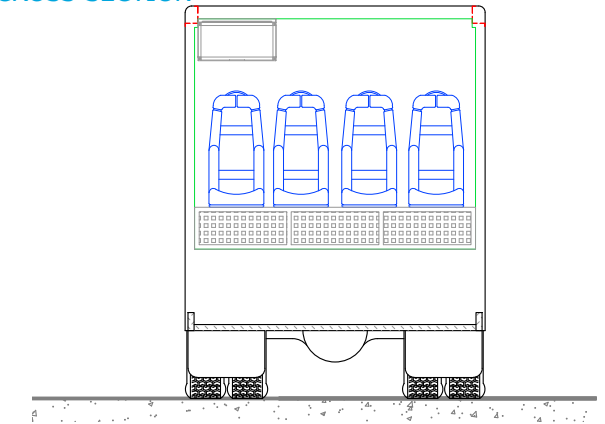
WALK-IN (REAR)
CROSS-SECTION



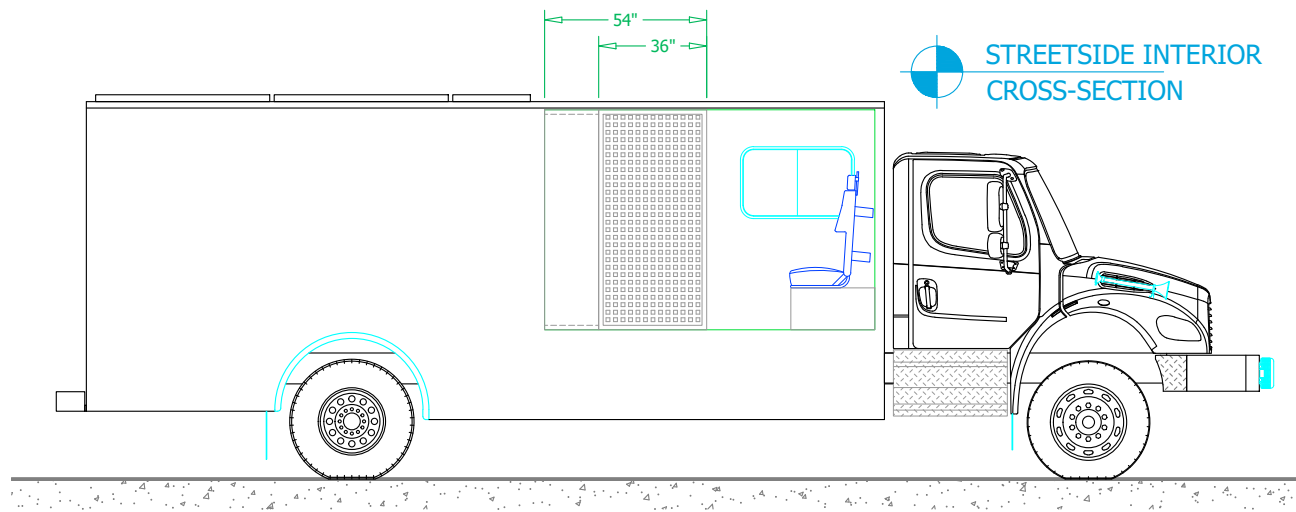
CURBSIDE INTERIOR
CROSS-SECTION



WALK-IN (FRONT)
CROSS-SECTION



STREETSIDE INTERIOR
CROSS-SECTION



SVI FIRE & RESCUE TRUCKS
3842 REDMAN DRIVE, FORT COLLINS, CO 80524 PHONE 970-297-7100, FAX 970-297-7099

**SPIRIT LAKE COMMUNITY
FIRE DEPARTMENT**