



Central Valley Fire District (MT) Rescue Pumper #1225-1226

Chassis

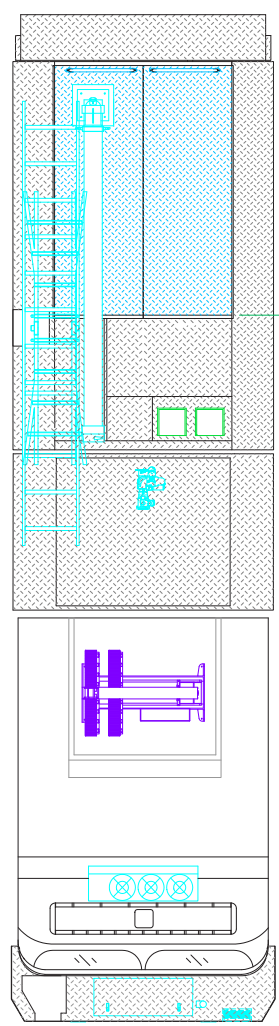
Cab: Spartan Gladiator EMFD 10" Rased Roof
Engine: Cummins L9
Transmission: Allison 3000 EVS
Wheelbase: 192"

Body

Material: Aluminum
Body Length: 12'
Overall Height: 10' - 3"
Overall Length: 32' - 8"

Features

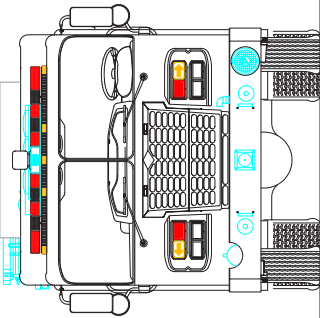
HLAS-975 Ziamatic Horizontal Ladder Access System
TFT Crossfire XFC-52 Portable Deck Gun
750 Gallon Capacity Water Tank
Waterous CSUC20 Pump System
FoamPro 2001 Direct Injection Foam System
Rear Hose Bed Storage
(2) Air Actuator Controlled Hose Bed Covers
Command Light Shadow SL Series Light Tower
(2) OnScene Solutions Talon Helmet Storage Brackets
Whelen C9 Series Scene Lighting



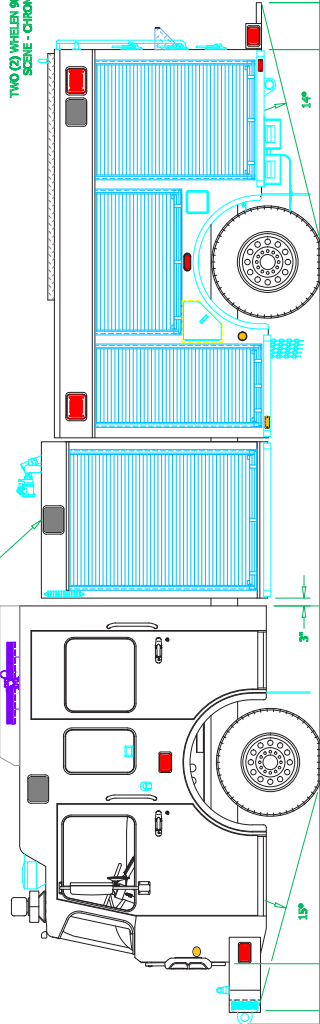
EIGHT (8) WHEEL ION
AMBER LED - CHROME
TRAFFIC ADVISOR

TWO (2) WHEEL 600
RED LED - CHROME

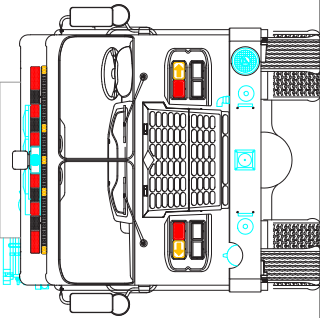
TWO (2) WHEEL 900
RED LED - CHROME



TWO (2) WHEEL 600
AMBER LED - TURN
TWO (2) WHEEL 600
RED LED - BRAKE
TWO (2) WHEEL 600
CLEAR LED - BACK-UP



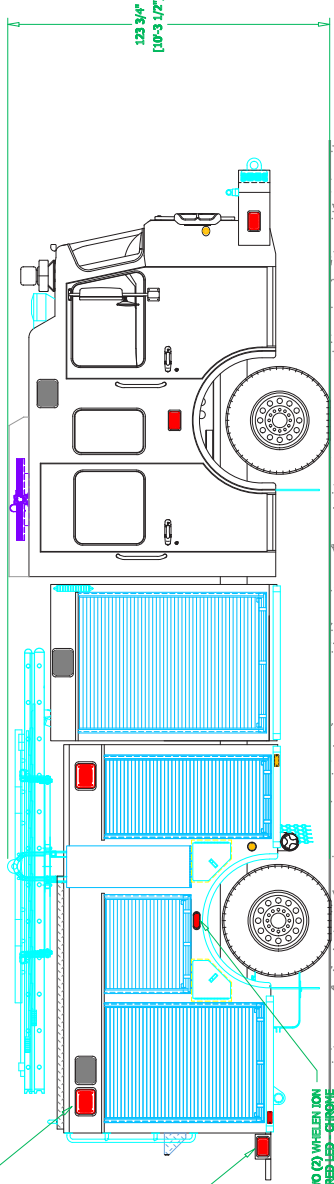
SIX (6) WHEEL 900
SCENE - CHROME
THREE (3) EACH SIDE



FOUR (4) WHEEL 900
RED LED - CHROME
TWO (2) EACH SIDE

SIX (6) WHEEL 600
RED - CHROME
THREE (3) EACH SIDE

TWO (2) WHEEL ION
RED LED - CHROME
ONE (1) EACH SIDE



123 3/4"
[10'-3 1/2"]

18"
19"
3"
152" WHEELBASE
392"
[32'-8 1/2" OAL]
137" CA
81.17"
15"

See more at svitrucks.com