

Gastonia Fire Department, Gastonia (NC) Hazmat #1231

Chassis

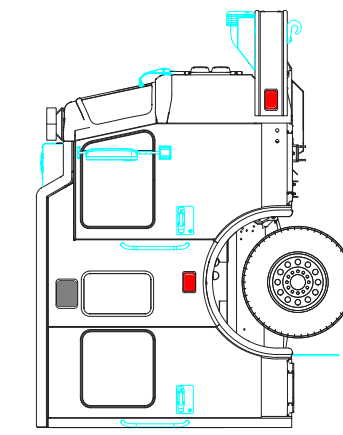
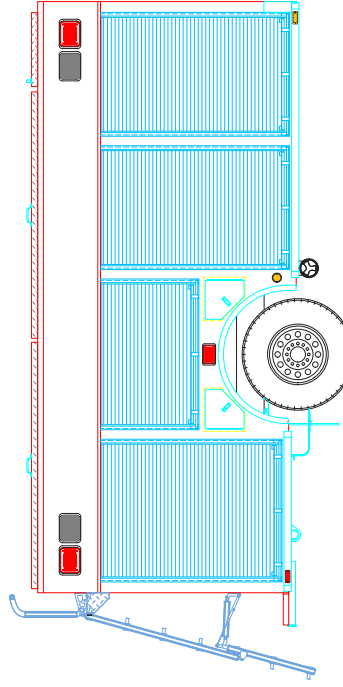
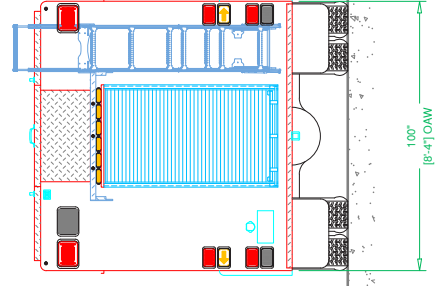
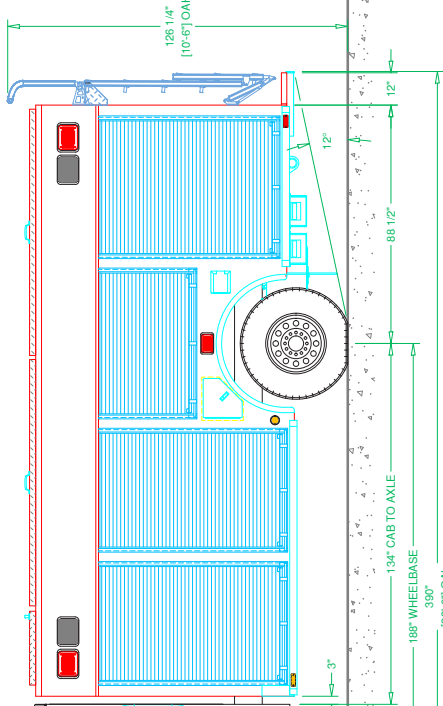
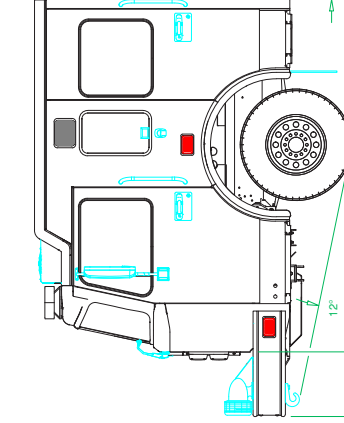
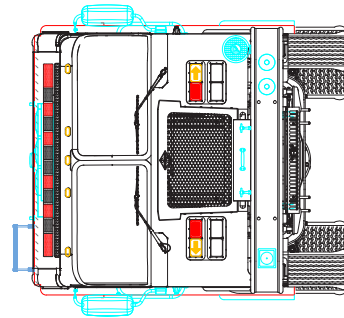
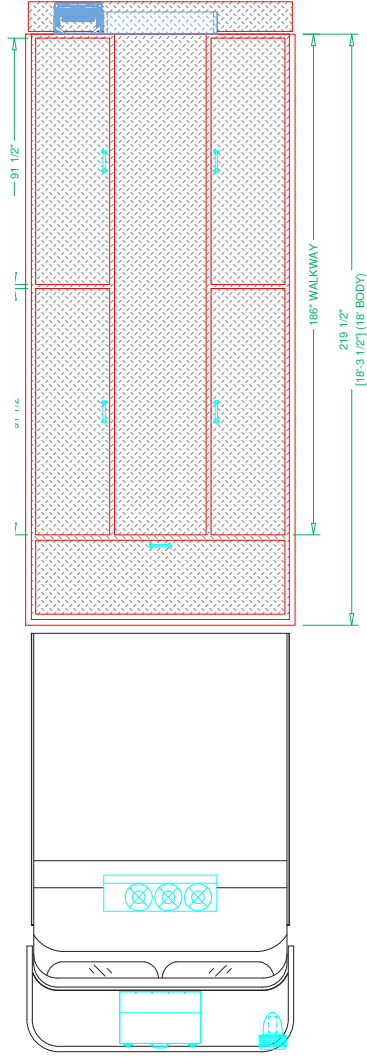
Cab: Spartan MFD 10" Raised Roof
Engine: Cummins L9
Transmission: Allison 3000 EVS
Wheelbase: 188"

Body

Material: Aluminum
Body Length: 18'
Overall Height: 10' - 6"
Overall Length: 32' - 6"

Features

SVI Custom Rear Folding Ladder
(5) Upper Body Compartments
Stainless Steel Front Bumper
SCBA Compartments
Transverse Compartment
Whelen Scene Lighting
OnScene Solutions Access PRO LED Lighting
Audiovox Voyager HD Rearview Camera



See more at svitrucks.com