



Vander Fire Department, Fayetteville (NC) Heavy Rescue #1236

Chassis

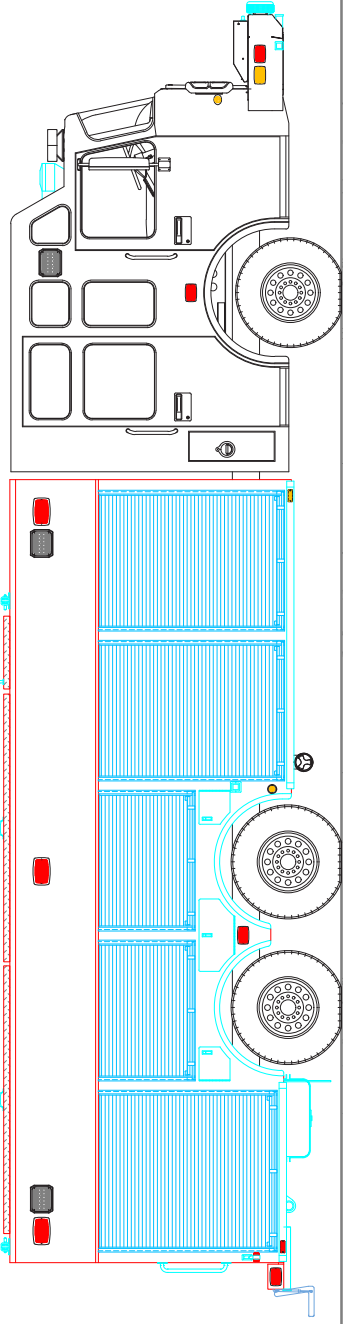
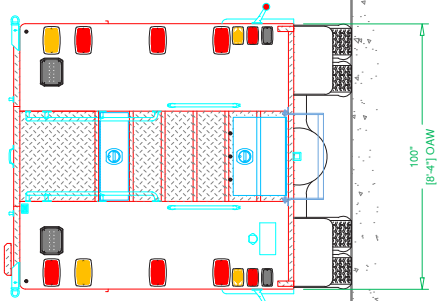
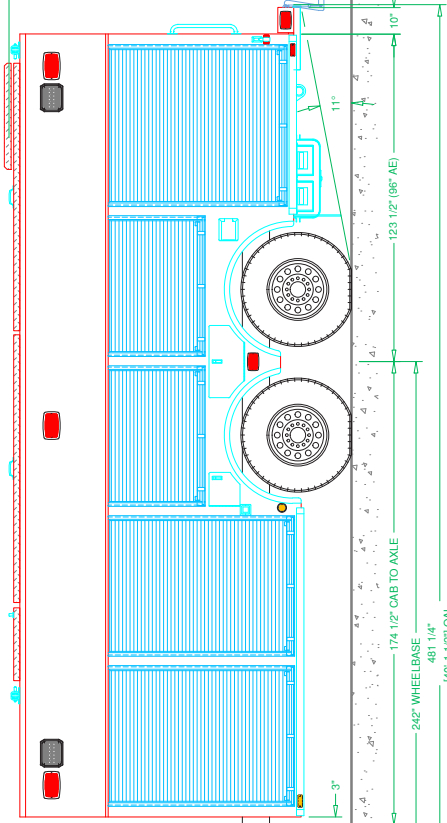
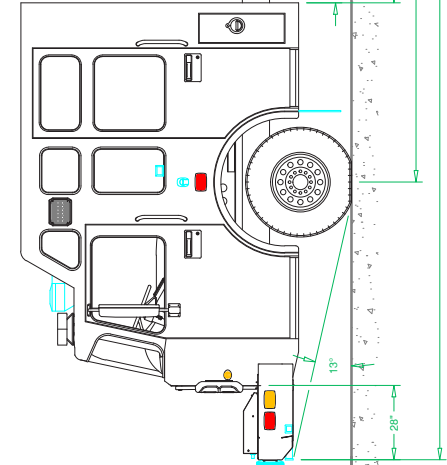
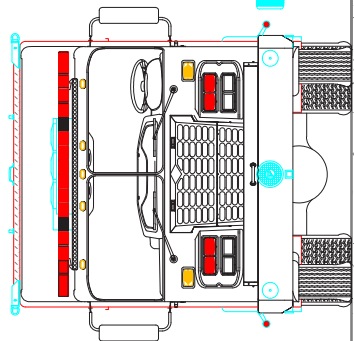
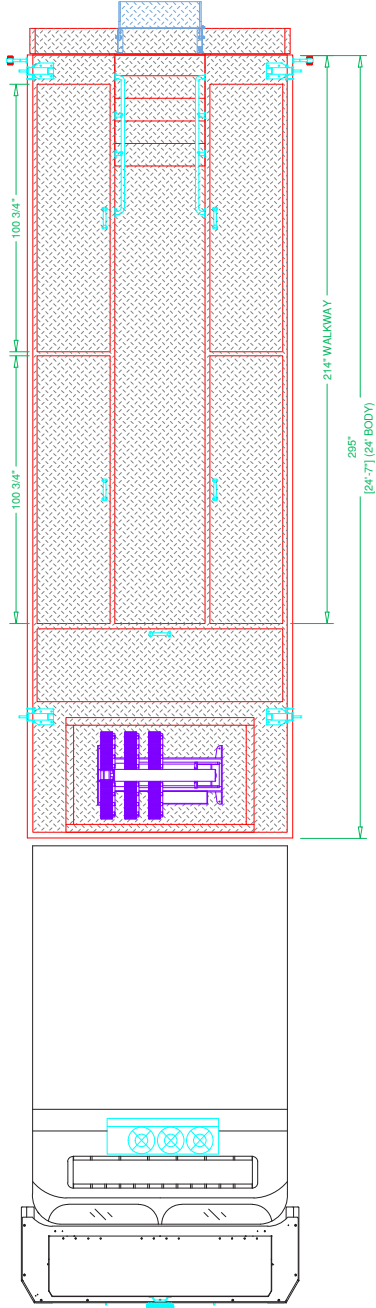
Cab: Spartan Gladiator LFD, 4-Door, 20" RR
Engine: Cummins X12
Transmission: Allison 4000 EVS
Wheelbase: 242"

Body

Material: Aluminum
Body Length: 24'
Overall Height: 10' - 9"
Overall Length: 40' - 1"

Features

(2) Slideout Smooth Vertical Tool Boards
(28) Total SCBA Storage Capacity
Under-Stair Storage
OnScene Solutions Heavy-Duty Slideout Trays
OnScene Solutions Access PRO LED Lighting
Command Light Knight Series Light Tower
Warn Zeon 8-S Multi-Mount Electric Winch
(2) Hannay Hydraulic Hose Reels
(2) Hannay Electric Cable Reels
(4) HURST Hydraulic Power Units
HURST High-Pressure Hydraulic Hoses



See more at svitrucks.com