



## **Loveland Fire Rescue Authority, Loveland (CO) Rescue Pumper #1245**

### **Chassis**

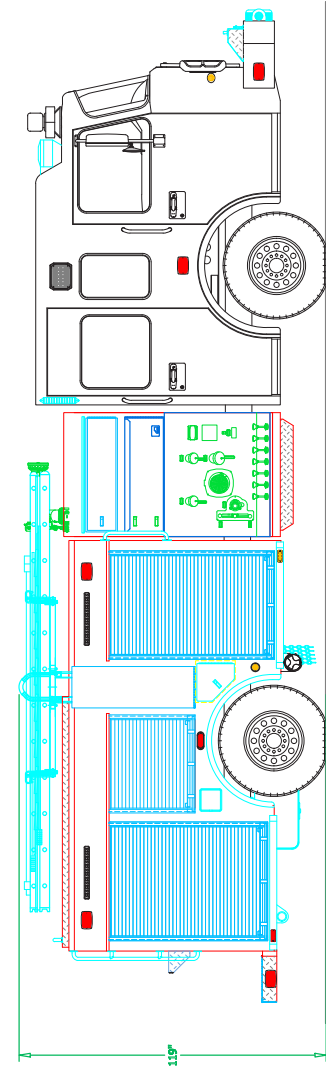
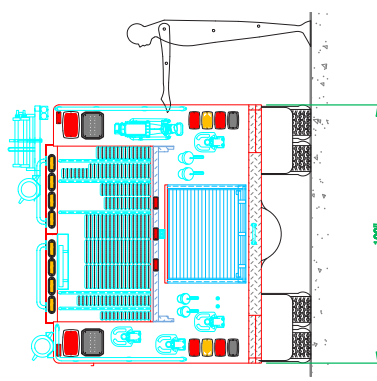
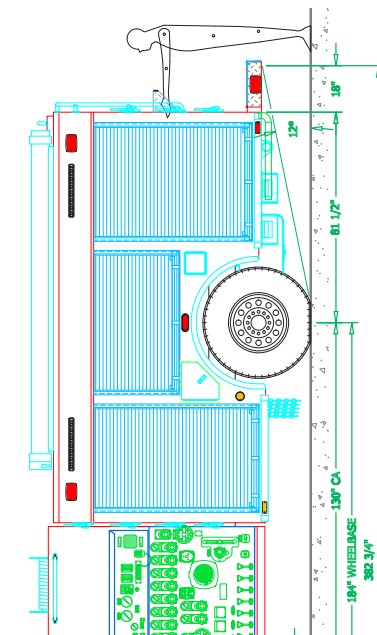
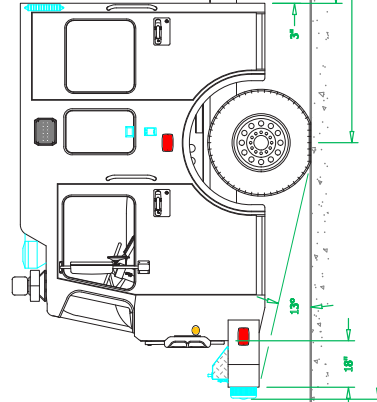
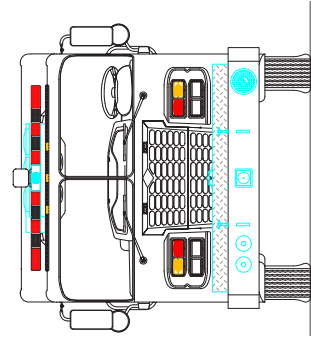
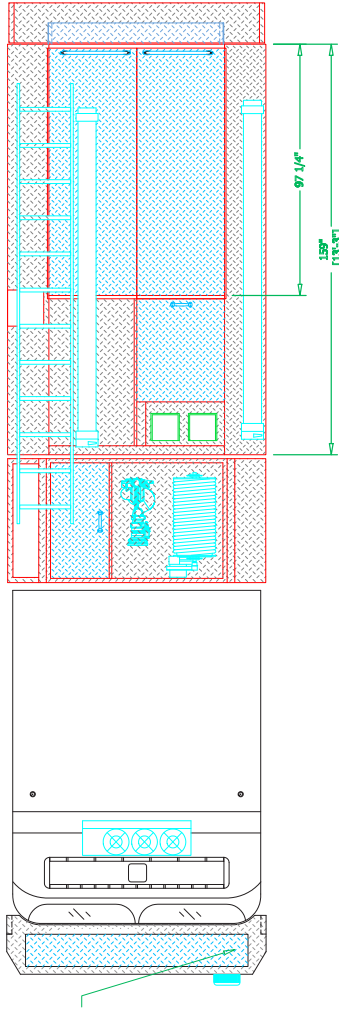
Cab: Spartan Gladiator MFD 10" RR 4-Door  
Engine: Cummins L9  
Transmission: Allison 3000 EVS  
Wheelbase: 184"

### **Body**

Material: Aluminum  
Body Length: 12'  
Overall Height: 9' - 11"  
Overall Length: 31' -11"

### **Features**

Super Vac Valor V16-BL 16" Battery Powered PPV Fan  
OnScene Solutions Access PRO LED Lighting  
750 Gallon Poly Water Tank  
1,500 gpm Waterous CU Fire Pump  
1,250 gpm Akron Apollo 3423 Deck Monitor  
Task Force Tips 500 gpm Manual Blitzfire Monitor  
FoamPro 2001 Foam Proportioning System  
AirPrime Pump Control System  
Air Actuator Activated House Bed Covers  
Ziamatic Ladder Assist System  
Honda 2,000 Watt Inverter Generator



See more at [svitrucks.com](http://svitrucks.com)