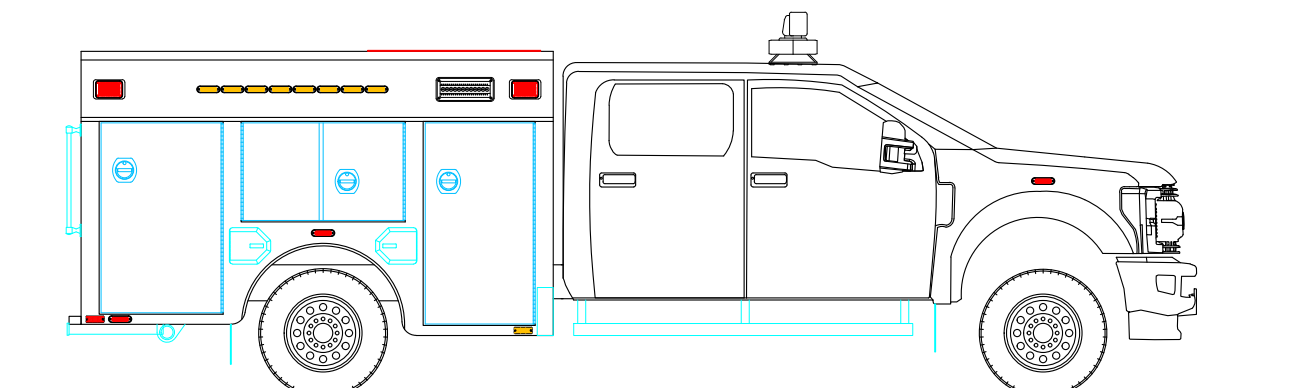
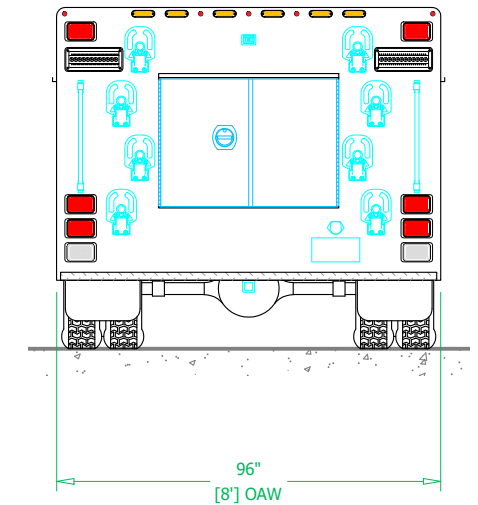
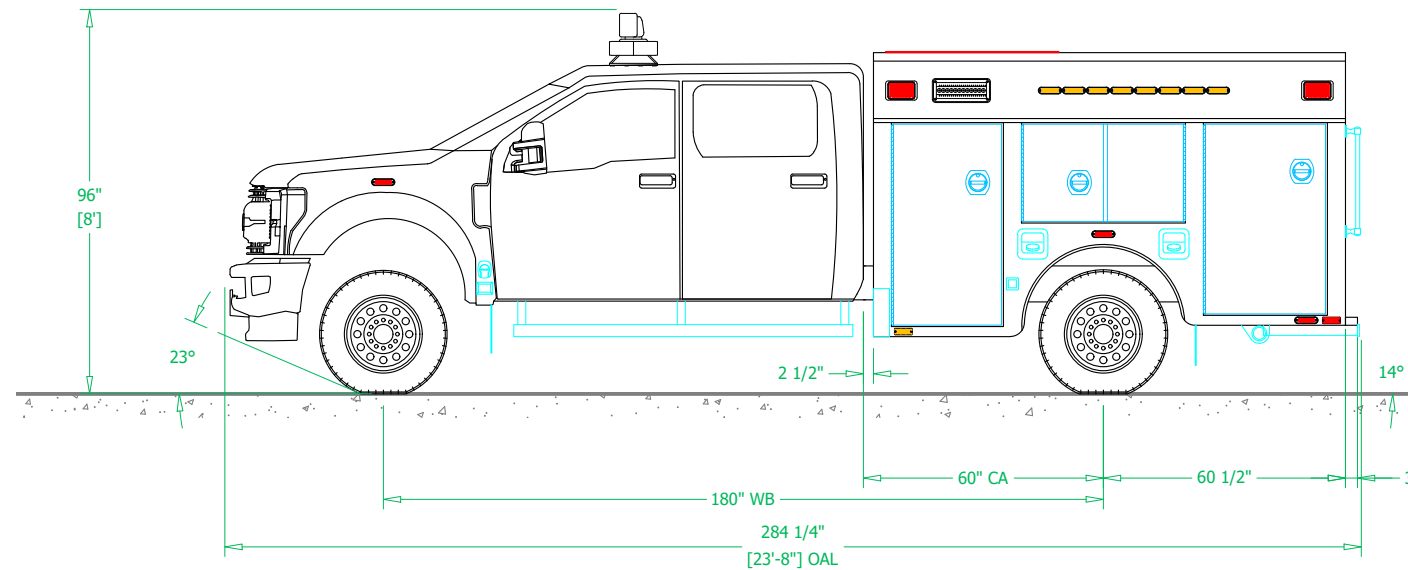
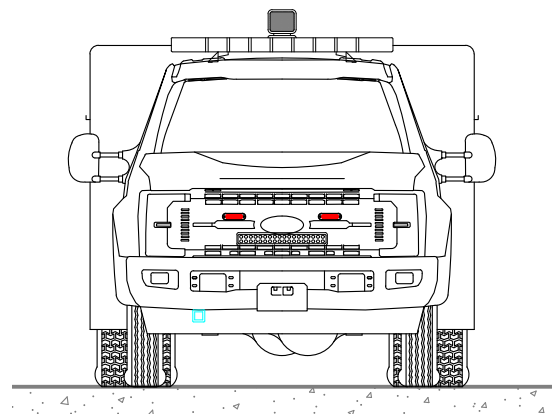
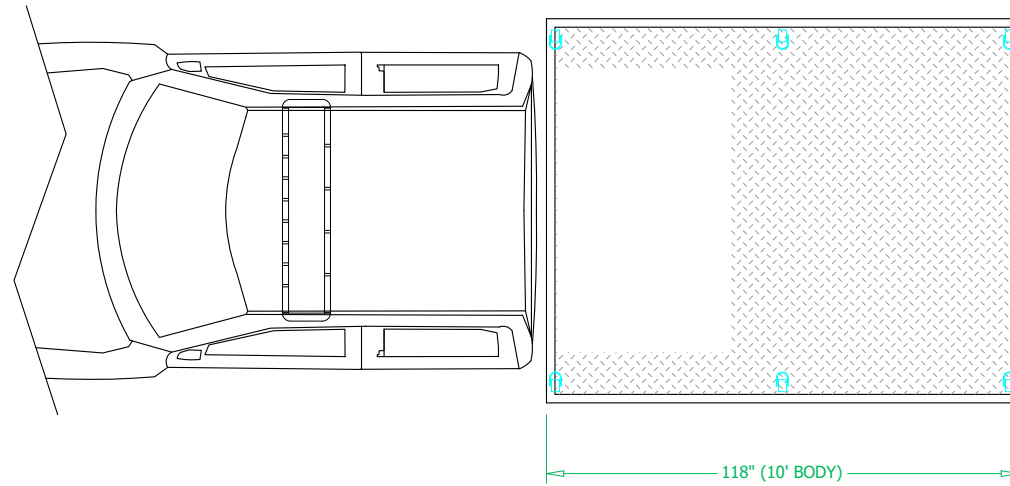


PRELIMINARY DRAWING - FOR LAYOUT PURPOSES ONLY

REVISIONS			
REV	DESCRIPTION	DATE	BY

NOTE 1: Do not scale drawing. This drawing is for general truck configuration only. All items and dimensions shown are approximate and may vary with final production. The drawing may not provide illustration for all items in the specification. In all situations where the drawing may contradict the specifications, the specifications shall prevail. This drawing and all data herein are provided as confidential materials and shall not be reproduced without written consent of the manufacturer.

NOTE 2: Chassis frame height will change due to axle characteristics, loading and tire dimensions which will effect the overall height dimension shown. Any overall height restrictions should take this into consideration and allow approximately 2-3 inches of tolerance.



SVI FIRE & RESCUE TRUCKS  
3842 REDMAN DRIVE, FORT COLLINS, CO 80524 PHONE 970-297-7100, FAX 970-297-7099

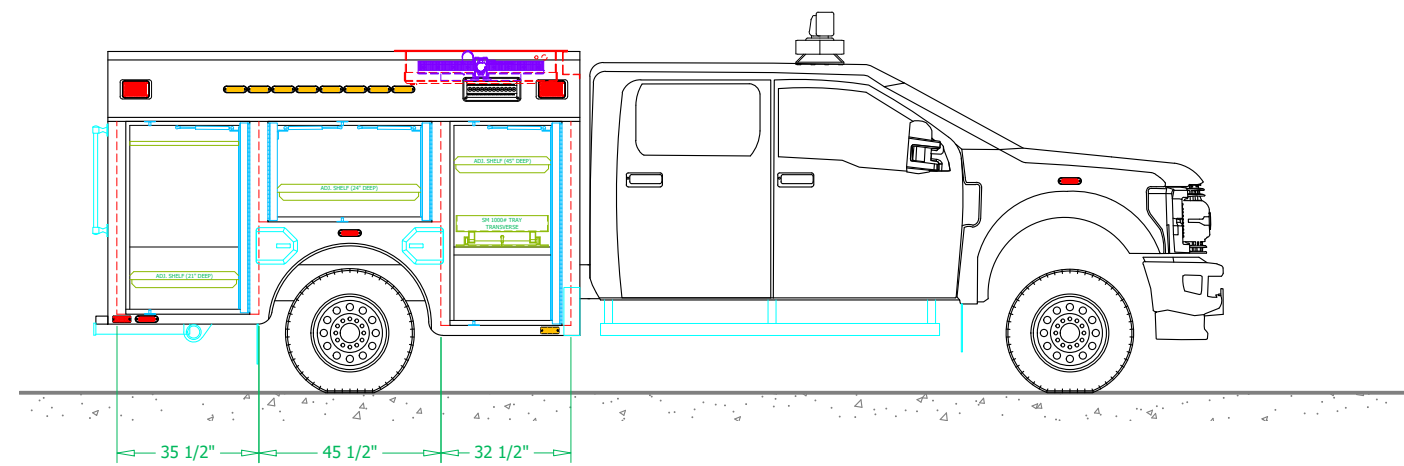
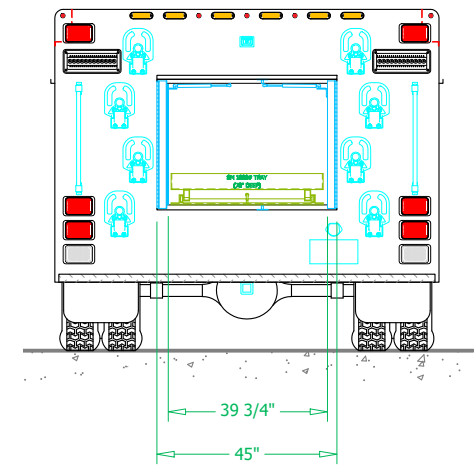
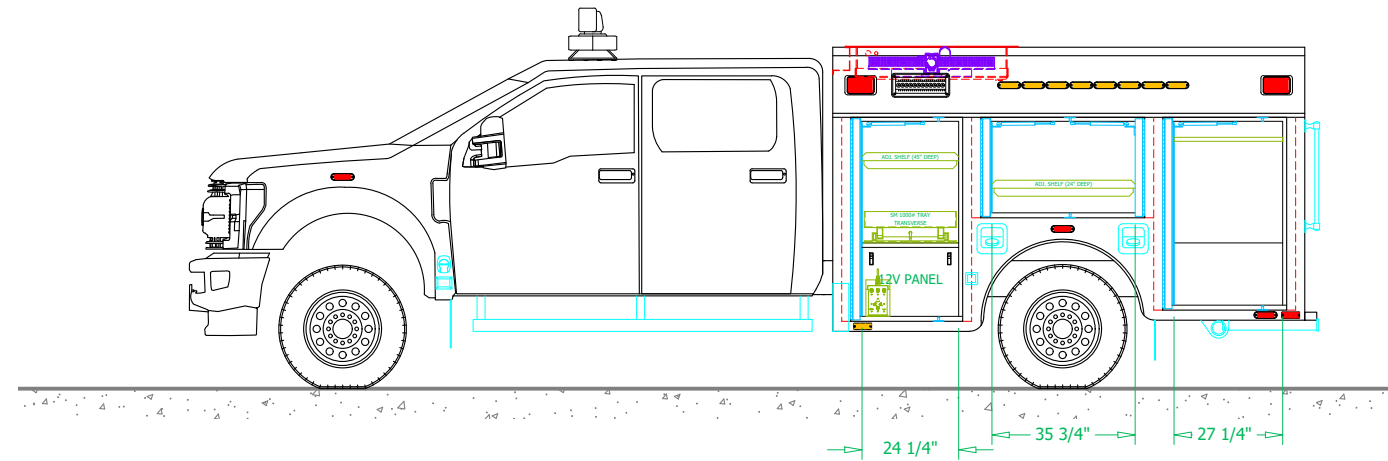
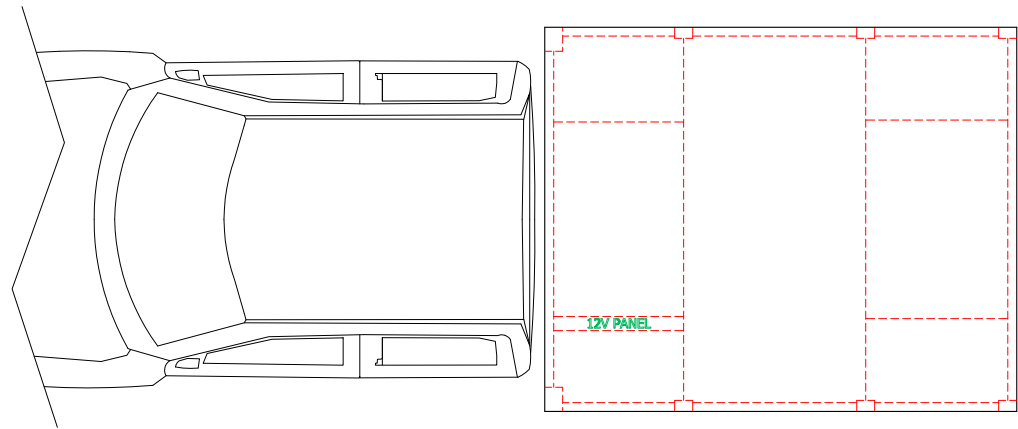
TULARE COUNTY  
FIRE DEPARTMENT


BODY SIZE: <b>BODY</b>	UNIT TYPE: <b>LIGHT RESCUE</b>
BODY MATERIAL: <b>3/16" ALUMINUM</b>	TRUCK NO: <b>SVI#xxx</b>
CHASSIS TYPE: <b>FORD</b>	WHEELBASE: <b>180"</b>
<b>F550 4 x 4</b>	CAB TO AXLE: <b>60"</b>
-	OVERALL LENGTH (OAL): <b>23' - 8"</b>
<b>FOUR DOOR</b>	OVERALL WIDTH (OAW): <b>8' - 0"</b>
	OVERALL HEIGHT (OAH): <b>8' - 0"</b>

PRELIMINARY DRAWING - FOR LAYOUT PURPOSES ONLY

REVISIONS			
REV	DESCRIPTION	DATE	BY

NOTE 1: Do not scale drawing. This drawing is for general truck configuration only. All items and dimensions shown are approximate and may vary with final production. The drawing may not provide illustration for all items in the specification. In all situations where the drawing may contradict the specifications, the specifications shall prevail. This drawing and all data herein are provided as confidential materials and shall not be reproduced without written consent of the manufacturer.





SVI FIRE & RESCUE TRUCKS  
3842 REDMAN DRIVE, FORT COLLINS, CO 80524 PHONE 970-297-7100, FAX 970-297-7099

**TULARE COUNTY  
FIRE DEPARTMENT**

DRAWN BY: KP	DATE: Apr. 18, 23	SCALE: 1/4" = 1'-0"
DRAWING NO: TulareCo_CA_Ir10_PCM	SHEET 2 OF 2	