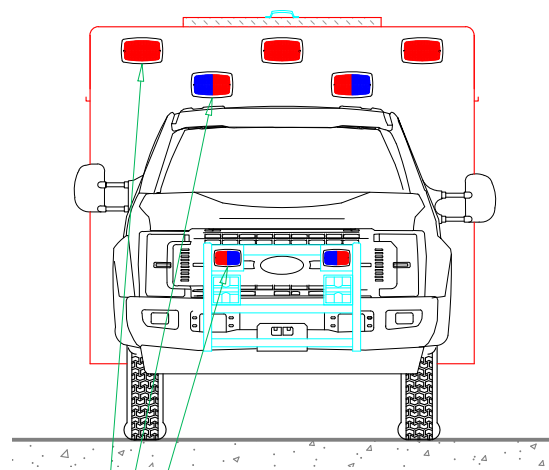
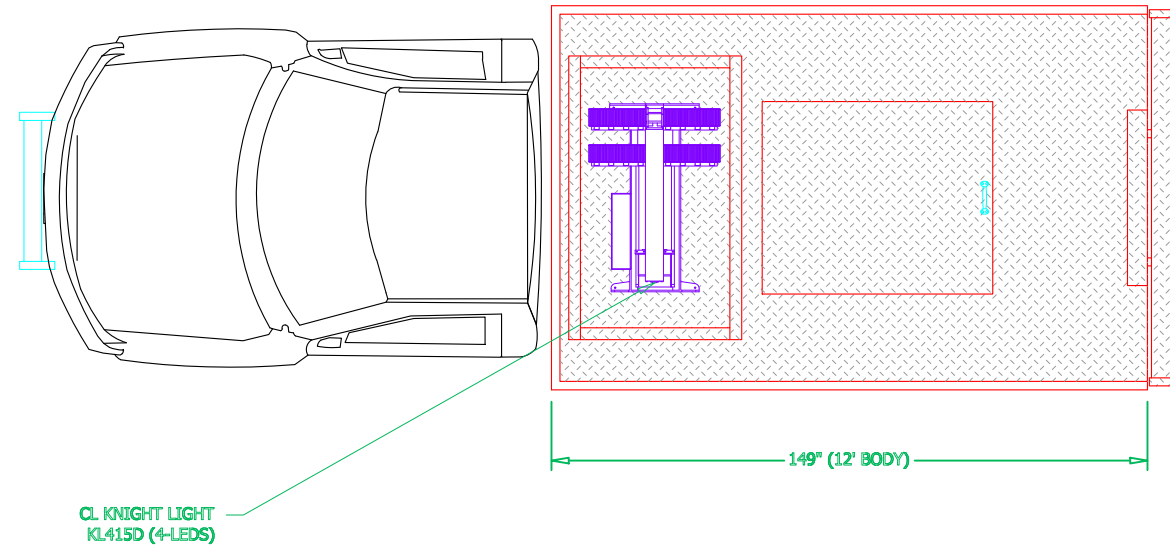


PRELIMINARY DRAWING - FOR LAYOUT PURPOSES ONLY

REVISIONS			
REV	DESCRIPTION	DATE	BY

NOTE 1: Do not scale drawing. This drawing is for general truck configuration only. All items and dimensions shown are approximate and may vary with final production. The drawing may not provide illustration for all items in the specification. In all situations where the drawing may contradict the specifications, the specifications shall prevail. This drawing and all data herein are provided as confidential materials and shall not be reproduced without written consent of the manufacturer.

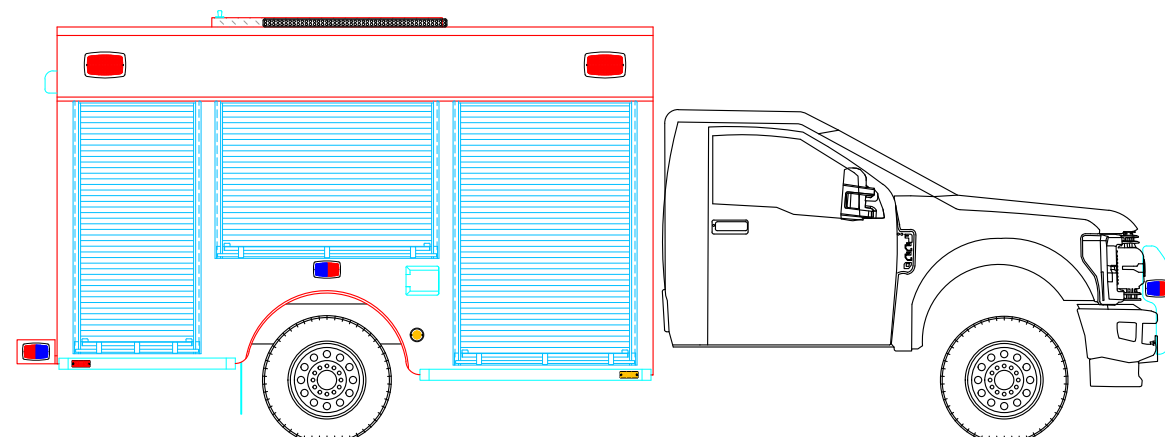
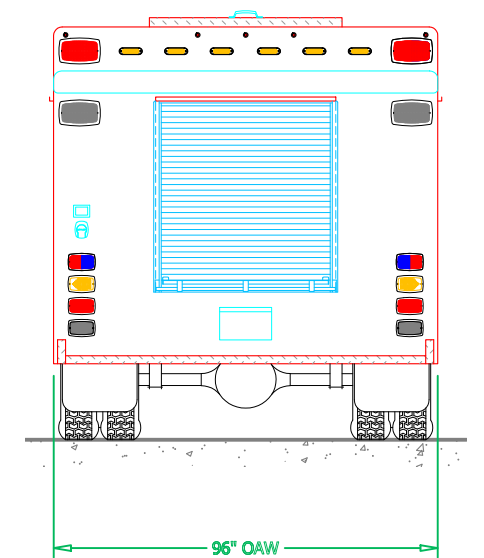
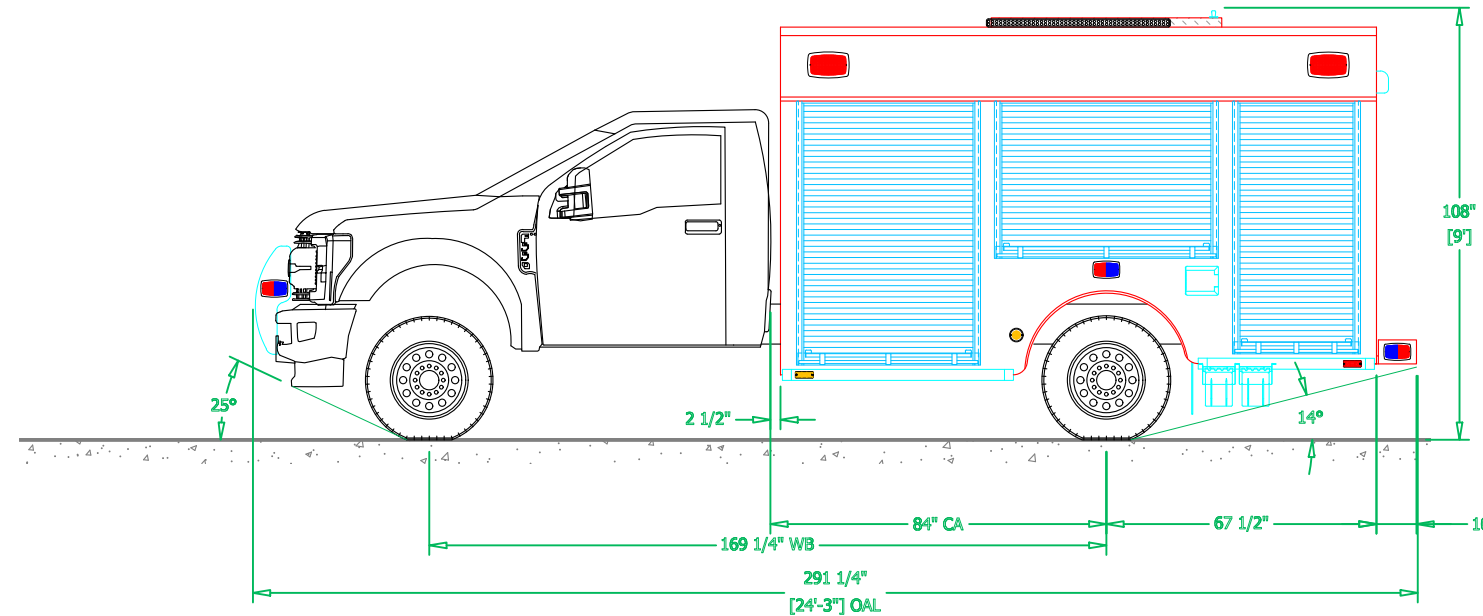
NOTE 2: Chassis frame height will change due to axle characteristics, loading and tire dimensions which will effect the overall height dimension shown. Any overall height restrictions should take this into consideration and allow approximately 2-3 inches of tolerance.



THREE (3) WHELEN M9  
RED LED - CHROME

TWO (2) WHELEN M9  
RED | BLUE LED - CHROME

TWO (2) WHELEN M6  
RED | BLUE LED - CHROME



SVI FIRE & RESCUE TRUCKS  
3842 REDMAN DRIVE, FORT COLLINS, CO 80524 PHONE 970-297-7100, FAX 970-297-7099

ROWLETT  
FIRE DEPARTMENT

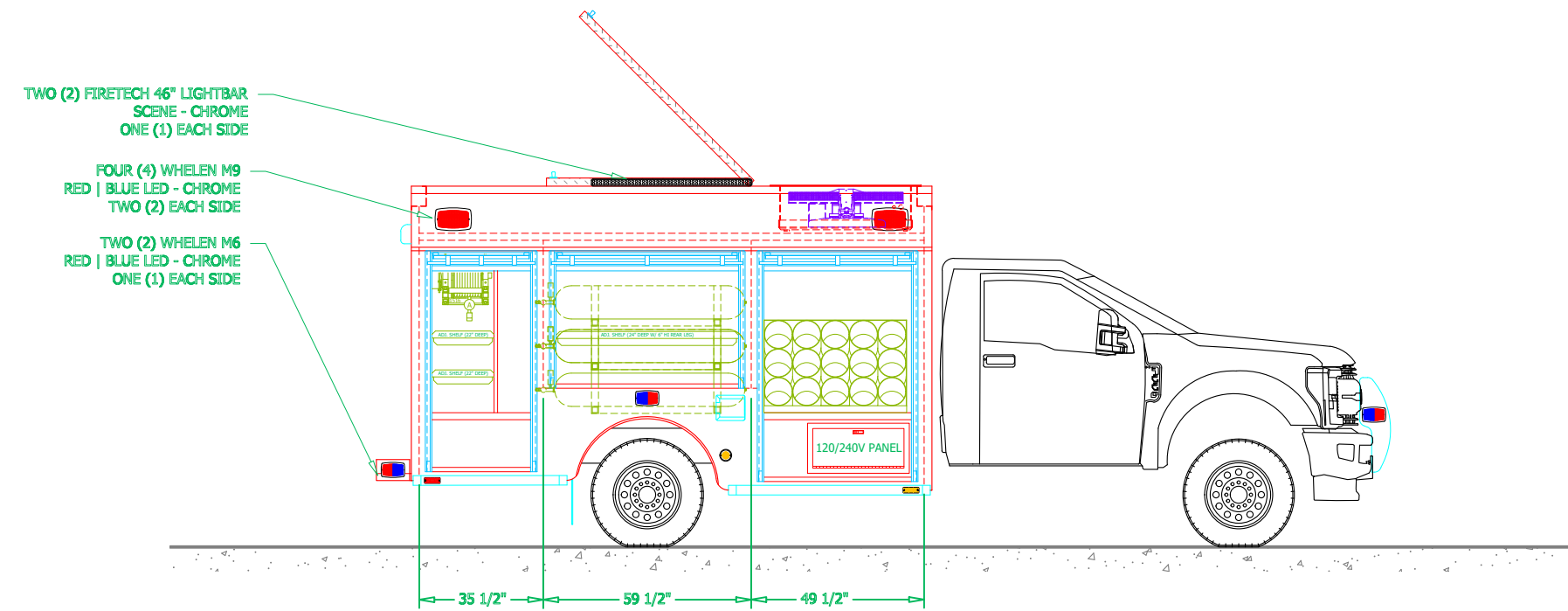
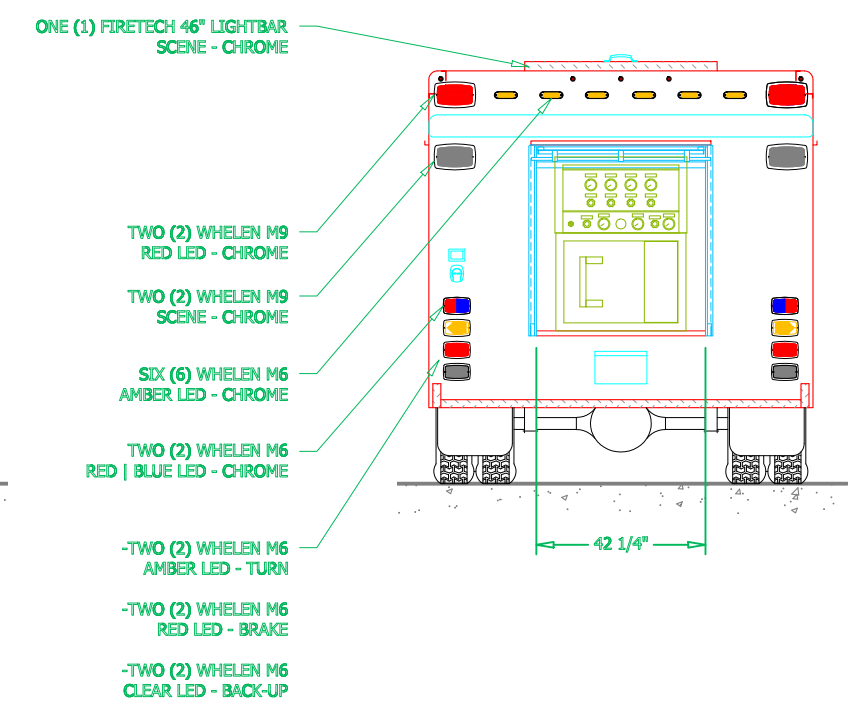
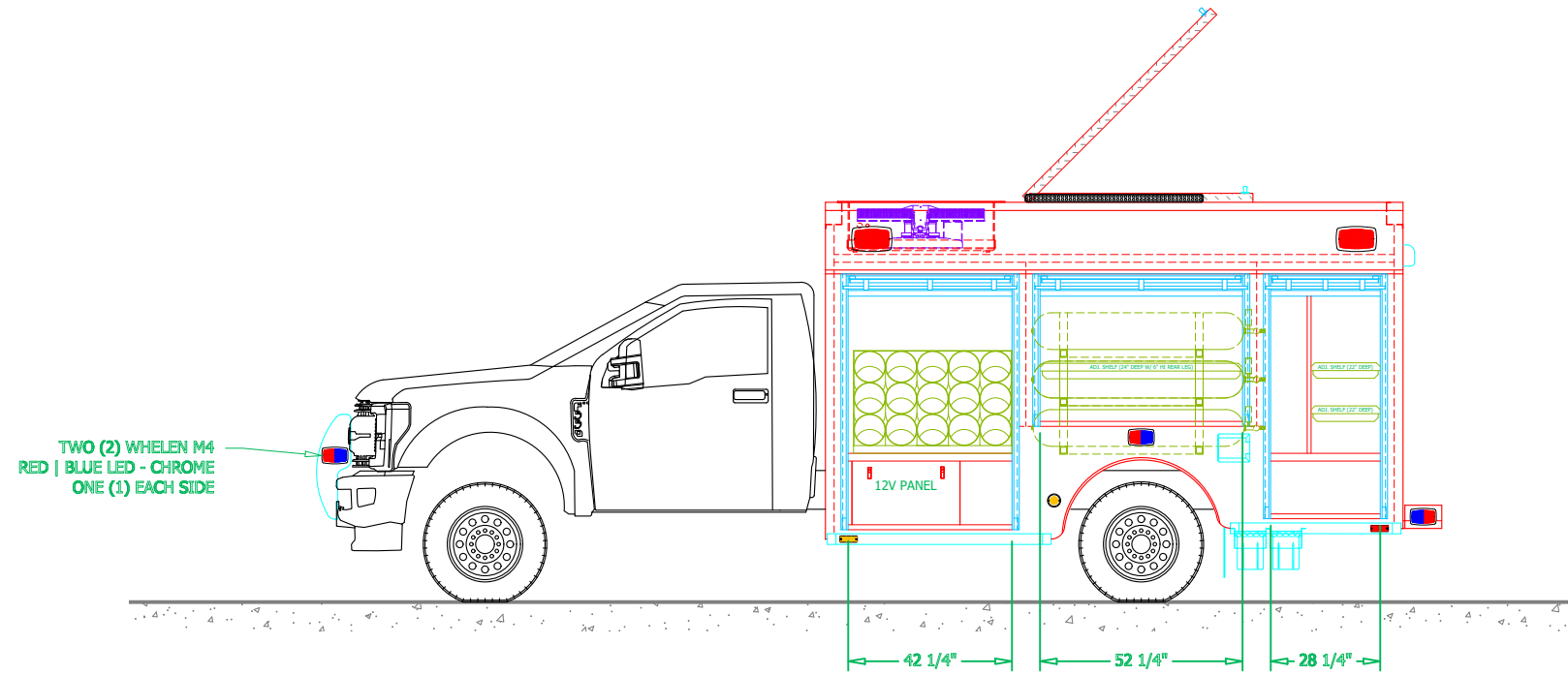
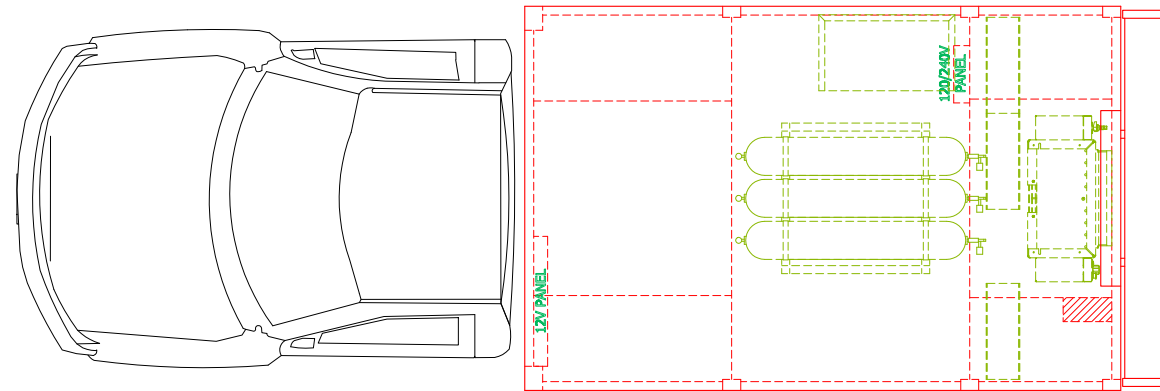
BODY SIZE: 12'	UNIT TYPE: LIGHT DUTY AIR & LIGHT
BODY MATERIAL: 3/16" ALUMINUM	TRUCK NO: SVI #1273
CHASSIS TYPE: FORD	WHEELBASE: 169.25"
F600	CAB TO AXLE: 84.00"
-	OVERALL LENGTH (OAL): 24' - 3"
-	OVERALL WIDTH (OAW): 8' - 0"
TWO DOOR	OVERALL HEIGHT (OAH): 9' - 0"

DRAWN BY: RP	DATE: October 13, 2023	SCALE: 1/4" = 1'-0"
DRAWING NO: Rowlett_TX_LR-AL_Production1	SHEET 1 OF 2	

PRELIMINARY DRAWING - FOR LAYOUT PURPOSES ONLY

REVISIONS			
REV	DESCRIPTION	DATE	BY

NOTE 1: Do not scale drawing. This drawing is for general truck configuration only. All items and dimensions shown are approximate and may vary with final production. The drawing may not provide illustration for all items in the specification. In all situations where the drawing may contradict the specifications, the specifications shall prevail. This drawing and all data herein are provided as confidential materials and shall not be reproduced without written consent of the manufacturer.



**SVI FIRE & RESCUE TRUCKS**  
3842 REDMAN DRIVE, FORT COLLINS, CO 80524 PHONE 970-297-7100, FAX 970-297-7099

**ROWLETT  
FIRE DEPARTMENT**

DRAWN BY: <b>KP</b>	DATE: <b>Oct. 13, 23</b>	SCALE: <b>1/4" = 1'-0"</b>
DRAWING NO: <b>Rowlett_TX_LR-AL_Production1</b>		SHEET <b>2</b> OF <b>2</b>