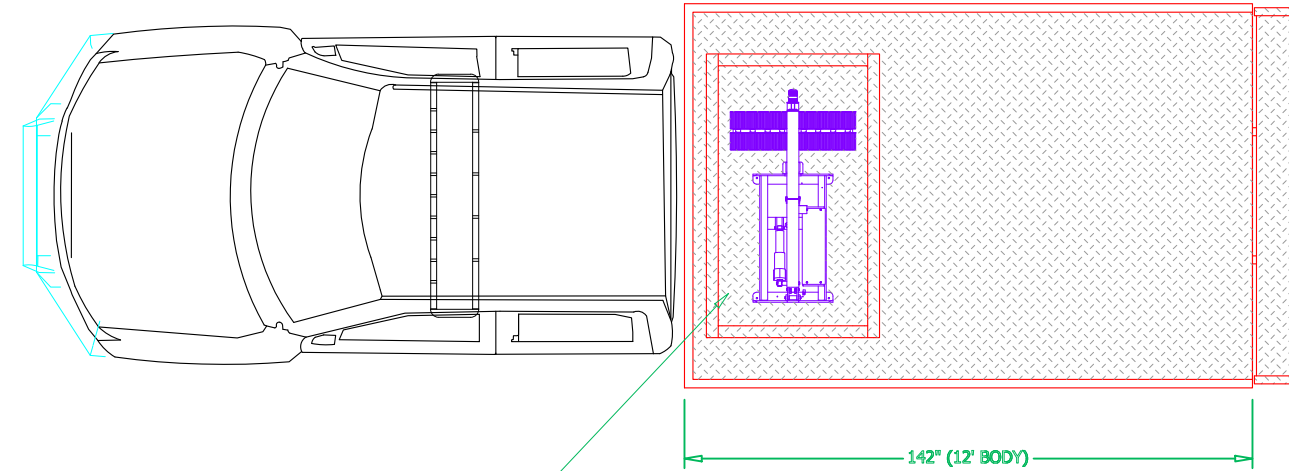


REVISIONS			
REV	DESCRIPTION	DATE	BY



SHADOW LIGHT
SL442D (4-LEDS)

TWO (2) WHELEN ION
RED LED - CHROME - DRIV
GREEN LED - CHROME - PASS

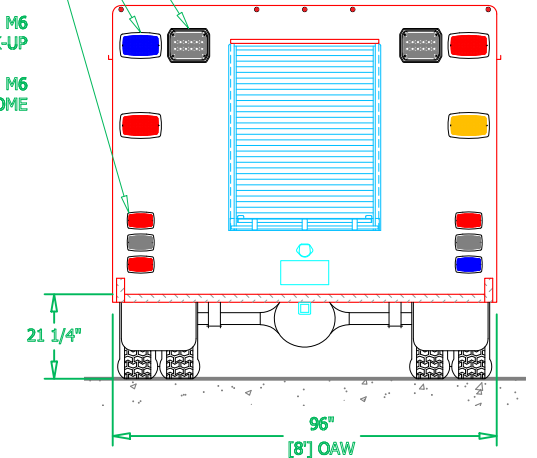
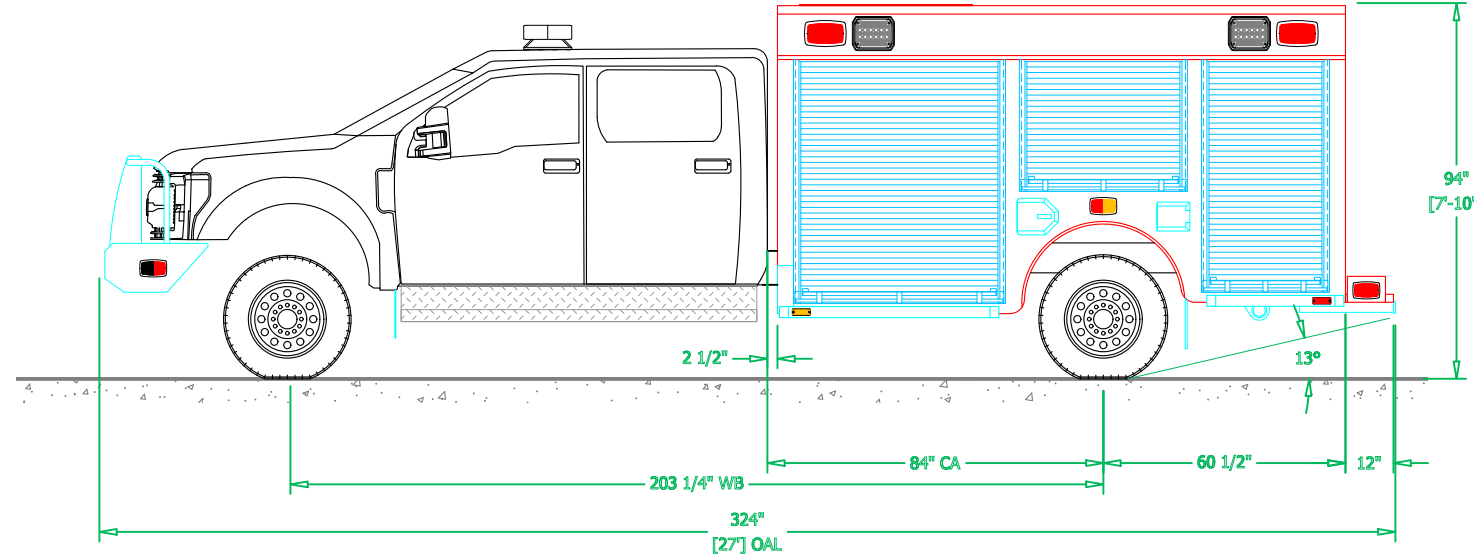
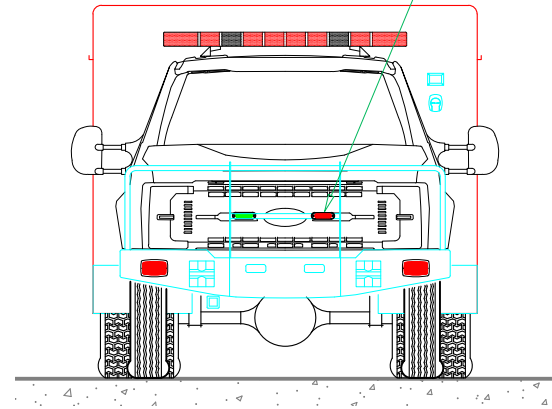
TWO (2) HIVEZ GUARDIAN ELITE
SCENE - CHROME

FOUR (4) WHELEN M9
LED - CHROME

-TWO (2) WHELEN M6
RED LED - STOP / TURN

-TWO (2) WHELEN M6
CLEAR LED - BACK-UP

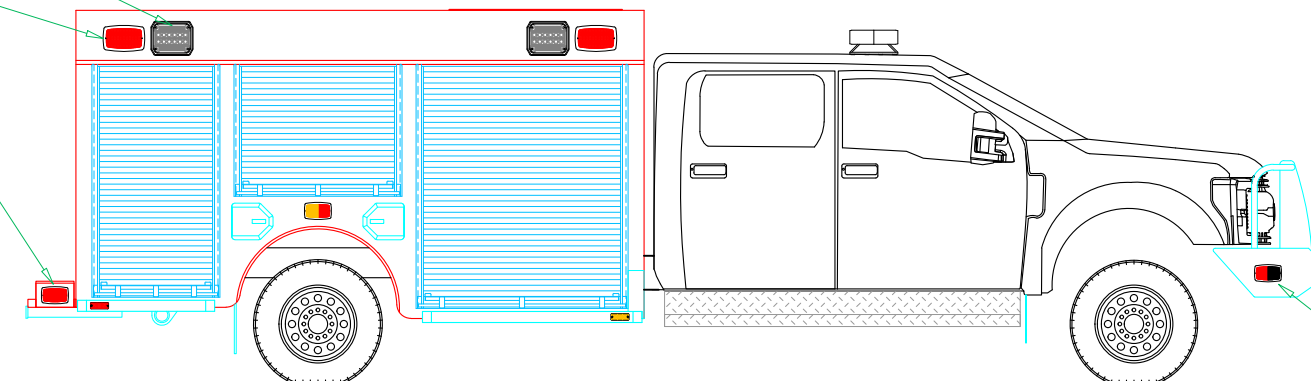
-TWO (2) WHELEN M6
LED - CHROME



FOUR (4) HIVEZ GUARDIAN ELITE
SCENE - CHROME
TWO (2) EACH SIDE

FOUR (4) WHELEN M9
RED LED - CHROME
TWO (2) EACH SIDE

TWO (2) WHELEN M6
RED LED - CHROME
ONE (1) EACH SIDE



TWO (2) WHELEN M6
RED/WHITE LED - CHROME
ONE (1) EACH SIDE

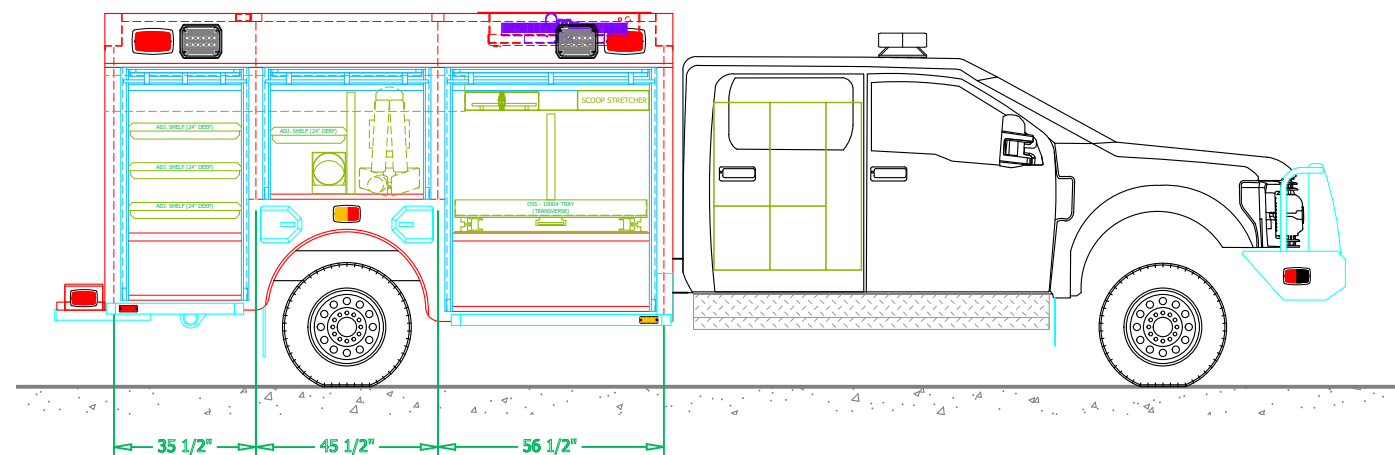
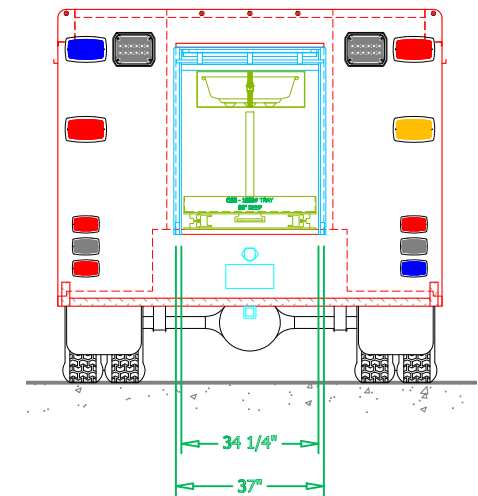
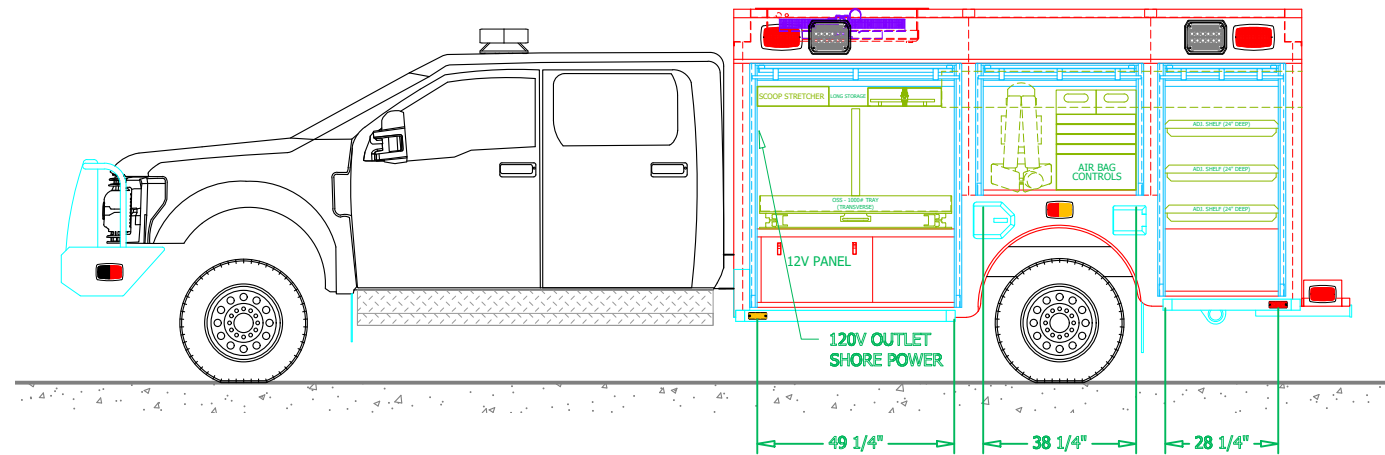
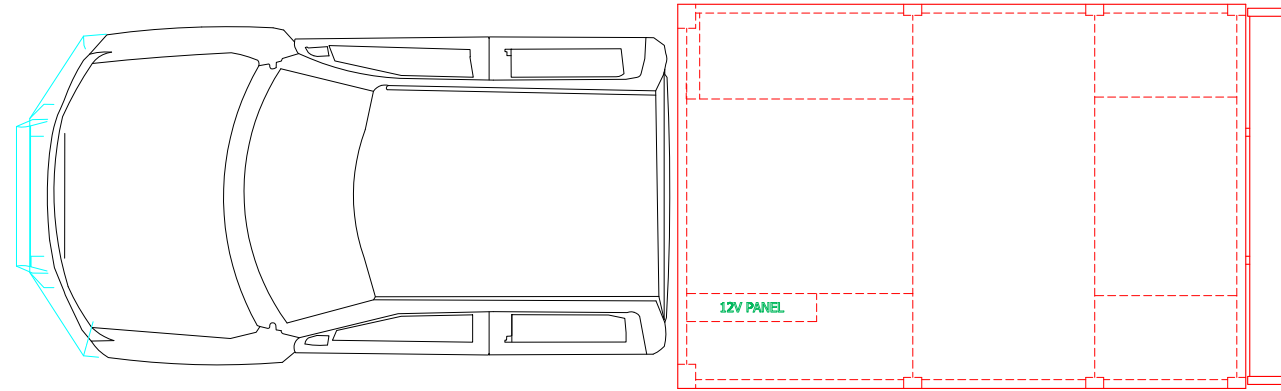
SVI FIRE & RESCUE TRUCKS
3842 REDMAN DRIVE, FORT COLLINS, CO 80524 PHONE 970-297-7100, FAX 970-297-7099


**DEWITT
FIRE DEPARTMENT**

BODY SIZE: 12' BODY	UNIT TYPE: LIGHT RESCUE
BODY MATERIAL: 3/16" ALUMINUM	TRUCK NO: SVI#1286
CHASSIS TYPE: FORD	WHEELBASE: 203.25"
F550 4 x 4	CAB TO AXLE: 84.00"
-	OVERALL LENGTH (OAL): 26' - 8"
FOUR DOOR	OVERALL WIDTH (OAW): 8' - 0"
	OVERALL HEIGHT (OAH): 7' - 10"

DRAWN BY: **RP** DATE: **September 11, 2023** SCALE: **1/4" = 1'-0"**
DRAWING NO: **Dewitt_NY_Jr12_PreCon1** SHEET **1** OF **2**

REVISIONS			
REV	DESCRIPTION	DATE	BY





SVI FIRE & RESCUE TRUCKS
3842 REDMAN DRIVE, FORT COLLINS, CO 80524 PHONE 970-297-7100, FAX 970-297-7099

**DEWITT
FIRE DEPARTMENT**

DRAWN BY: <i>KP</i>	DATE: Sep. 11, 23	SCALE: 1/4" = 1'-0"
DRAWING NO: <i>Dewitt_NY_r12_PreCon1</i>		SHEET 2 OF 2