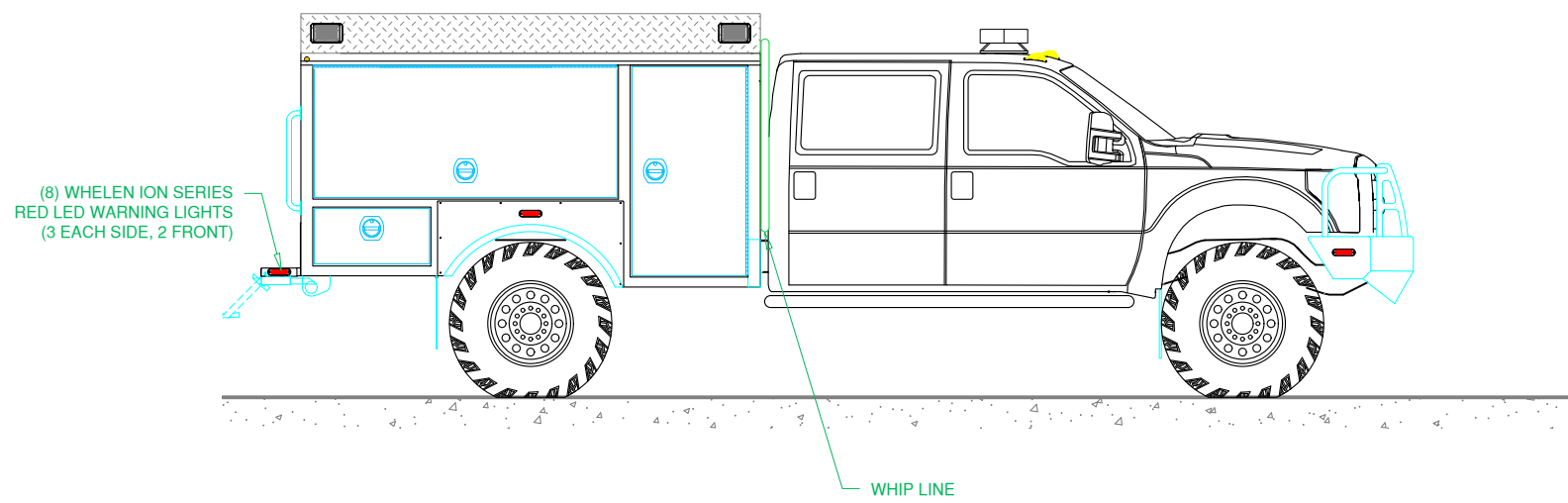
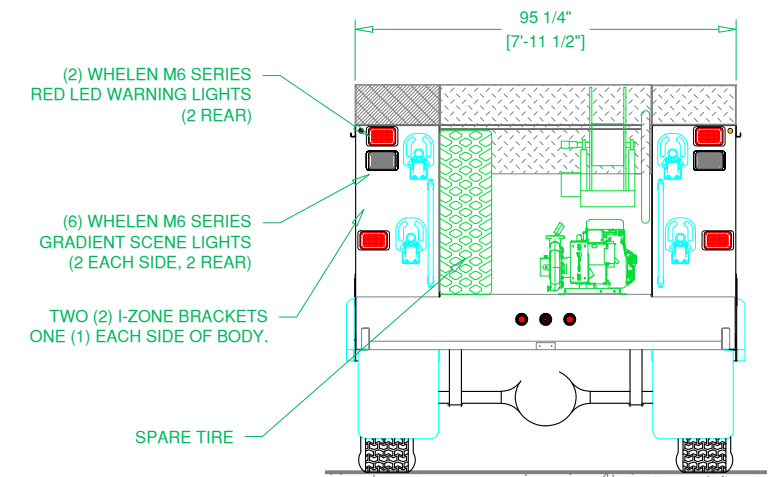
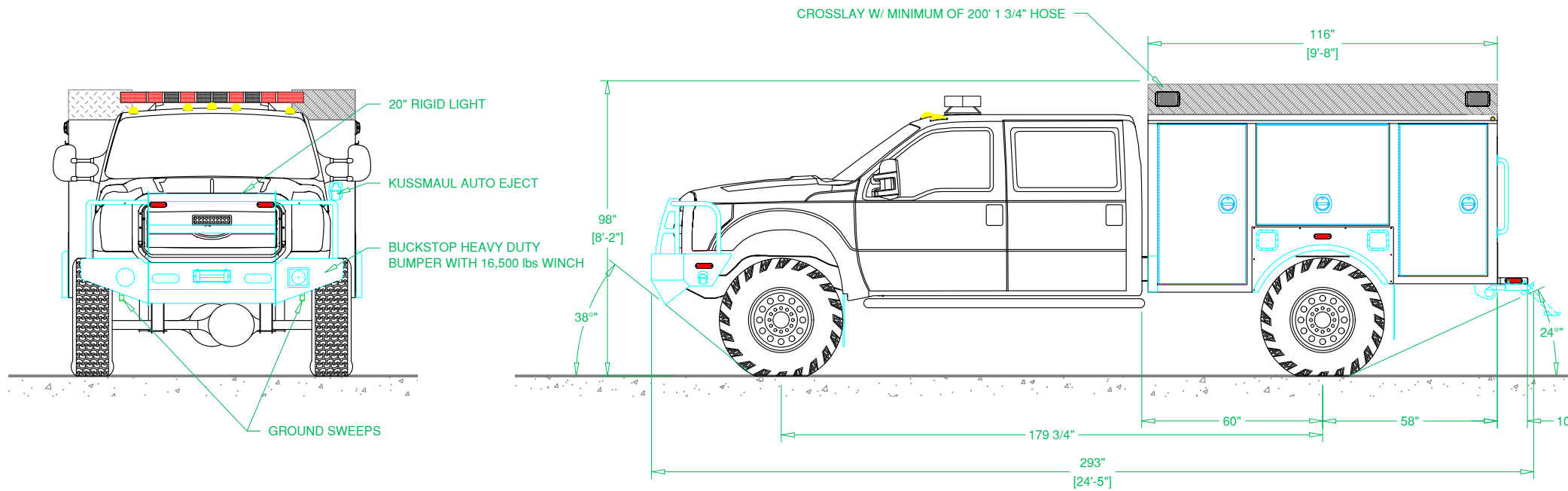


REVISIONS			
REV	DESCRIPTION	DATE	BY

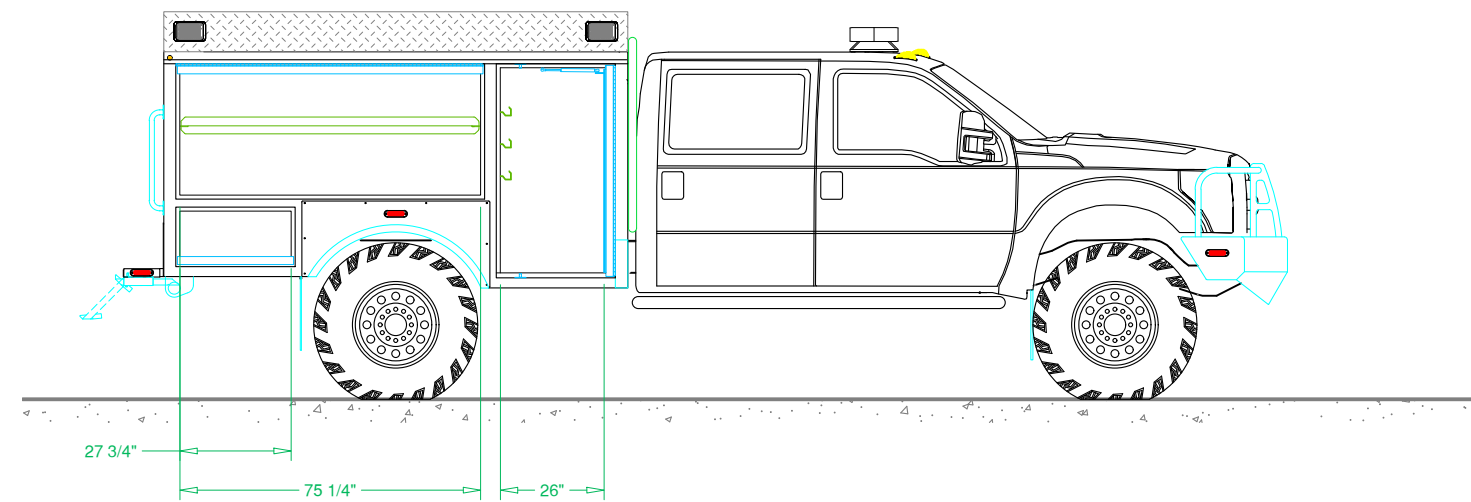
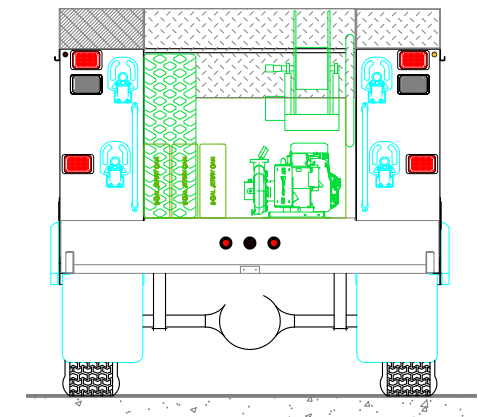
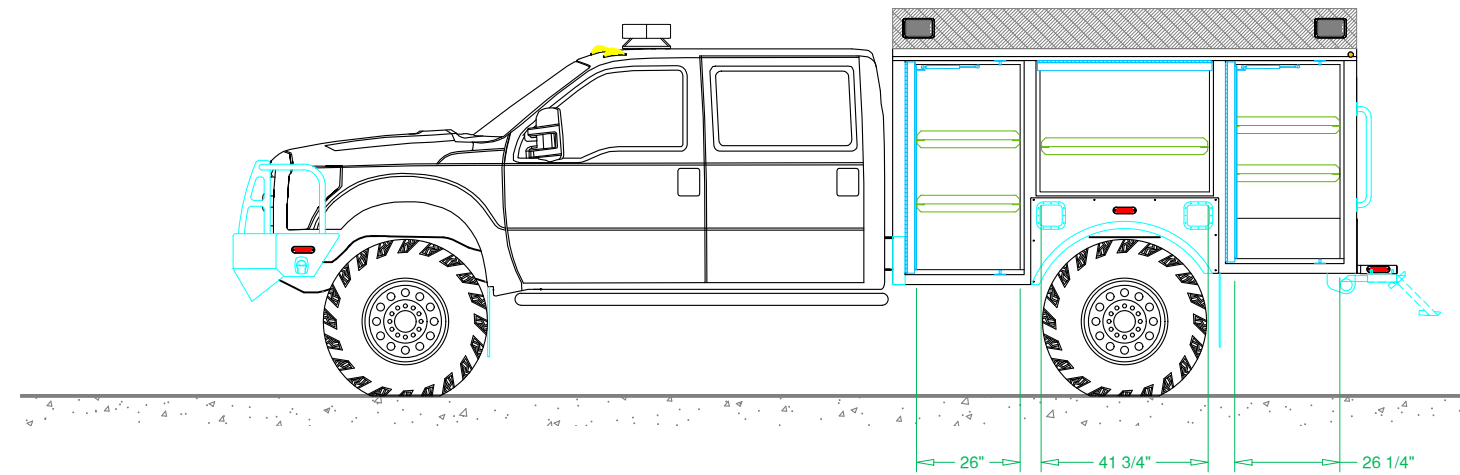


SVI FIRE & RESCUE TRUCKS  
 3842 REDMAN DRIVE, FORT COLLINS, CO 80524 PHONE 970-297-7100, FAX 970-297-7099

**PLATTEVILLE - GILCREST  
 FIRE PROTECTION DISTRICT**

BODY SIZE: 9' BODY	UNIT TYPE: TYPE '6'
BODY MATERIAL: 1/8" ALUMINUM	TRUCK NO: SVI #1261
CHASSIS TYPE: FORD	WHEELBASE: 179.9"
F550	CAB TO AXLE: 60"
-	OVERALL LENGTH (OAL): 282.5"
CREWCAB	OVERALL WIDTH (OAW): 95.25"
	OVERALL HEIGHT (OAH): 98.0"

REVISIONS			
REV	DESCRIPTION	DATE	BY



SVI FIRE & RESCUE TRUCKS  
 3842 REDMAN DRIVE, FORT COLLINS, CO 80524 PHONE 970-297-7100, FAX 970-297-7099

**PLATTEVILLE - GILCREST  
 FIRE PROTECTION DISTRICT**