



Butte County Fire Department (CA) Heavy Rescue #1311

Chassis

Cab: Spartan FC-94
Engine: Cummins X12 500 HP
Transmission: Allison EVS 4000
Wheelbase: 202"

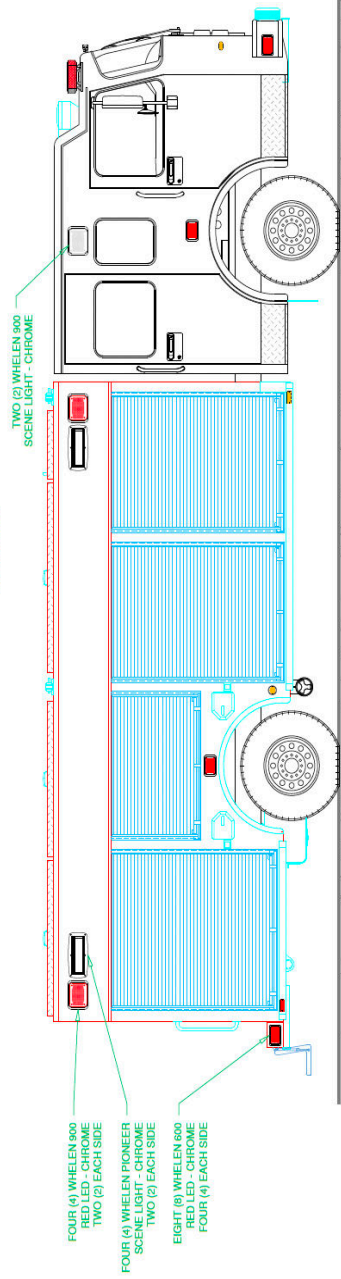
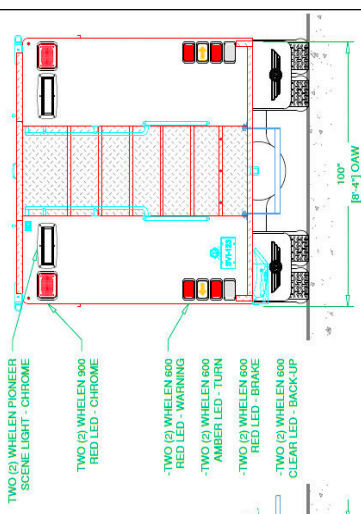
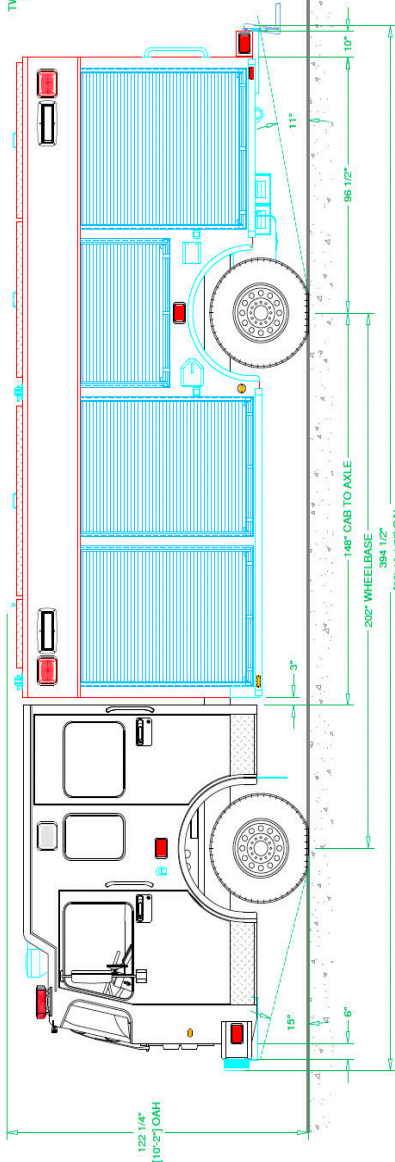
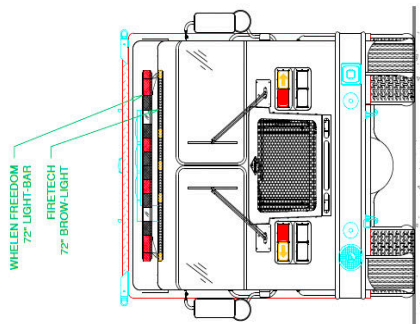
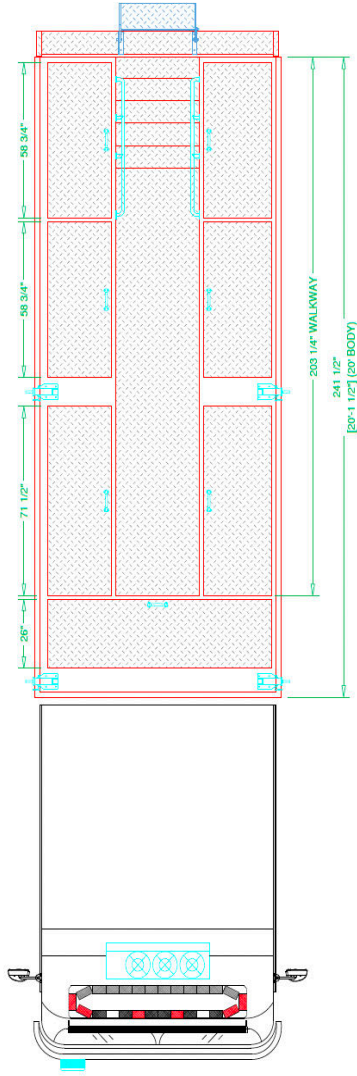
Body

Material: Aluminum
Body Length: 20'
Overall Height: 19'-2"
Overall Length: 32'-10 1/2"

Features

20,000-Watt Onan Protec PTO Generator
(3) SCBA Cylinder Storage Compartments
(7) Upper Body Compartments
Hannay ECR1618-17-18 Electric Cable Reel
Akron EJBX Electrical Power Distribution Box
Girard G-2000 Rollout Awning
Lista MS450 Drawer Cabinet
OnScene Solutions Rub Rail
OnScene Solutions Access LED Compartment Lighting
OnScene Solutions Heavy-Duty Aluminum Cargo Slides

PRELIMINARY DRAWING - FOR LAYOUT PURPOSES ONLY



See more at svitrucks.com